



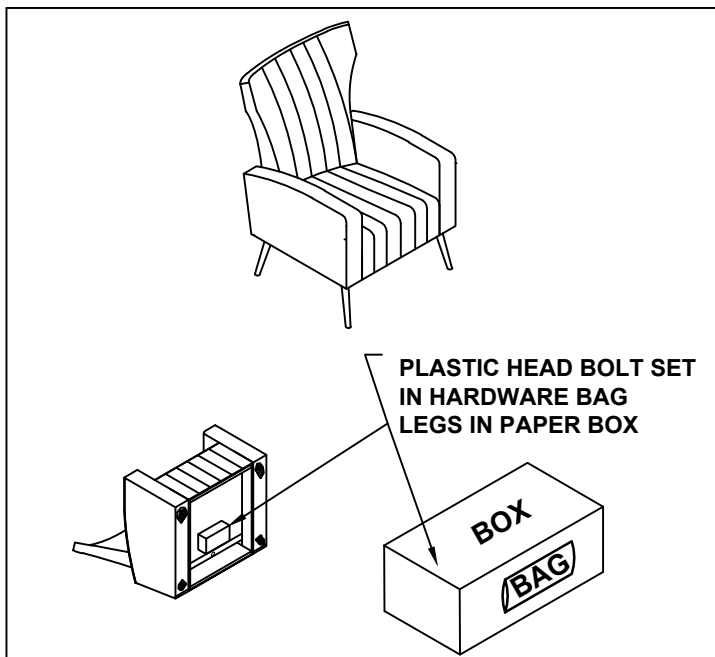


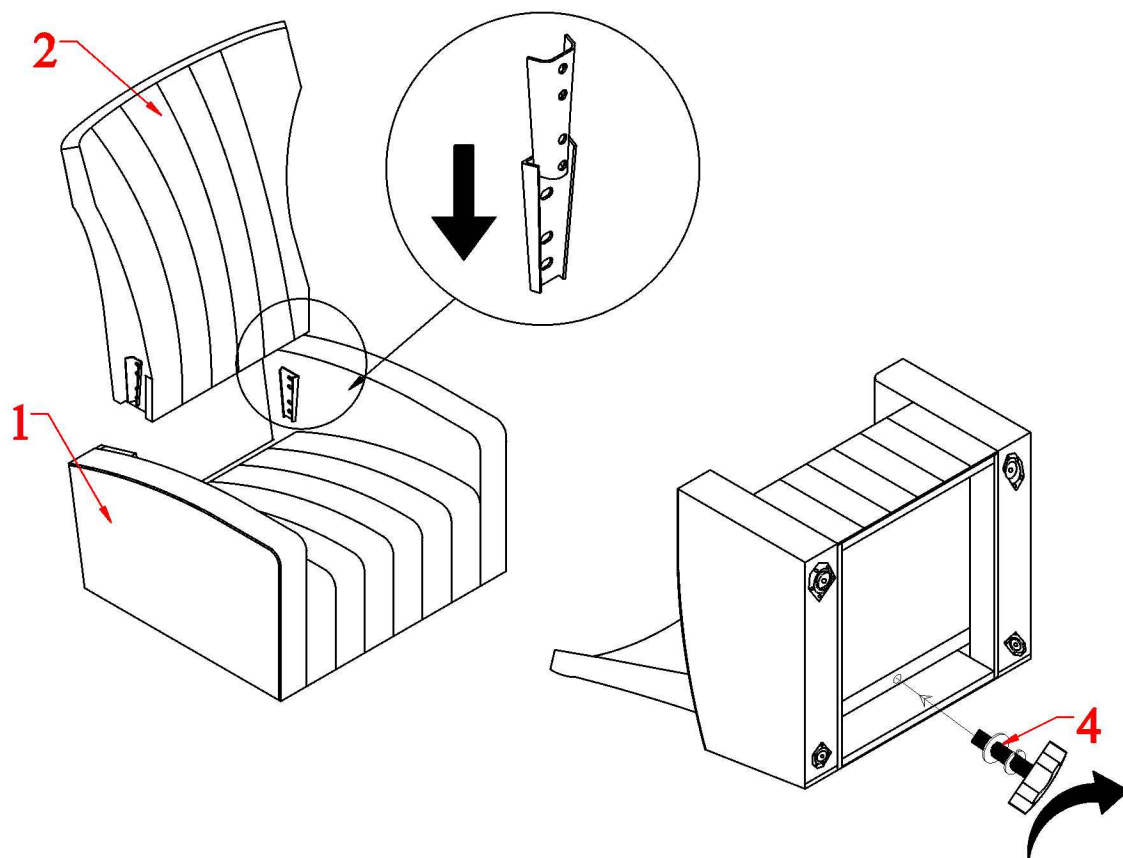
**TOOLS REQUIRED:NO TOOLS REQUIRED**

**PART LIST**

NO.	Description	Item	Q'TY
1	Seat & Armrest		1
2	Backrest		1
3	Legs		4
4	Plastic Head Bolt Set (5/16"x65 mm)		1



**Step 1**



**Step 2**

