





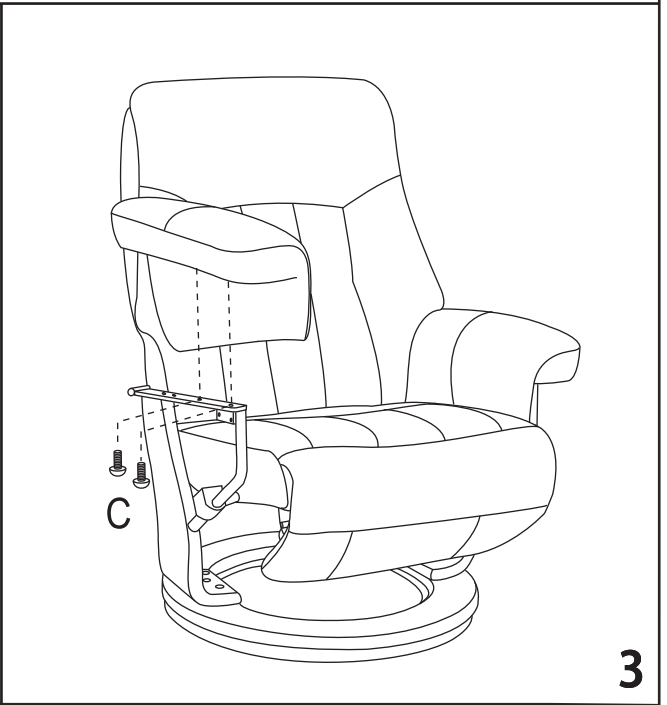
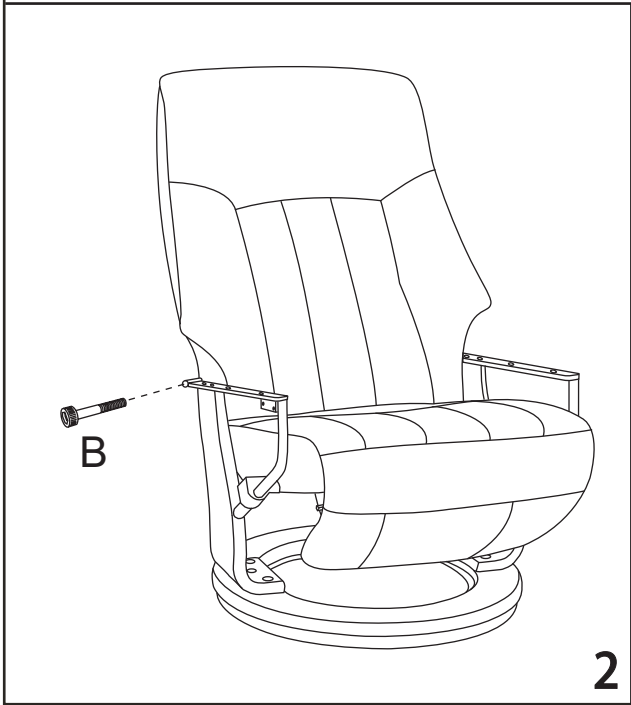
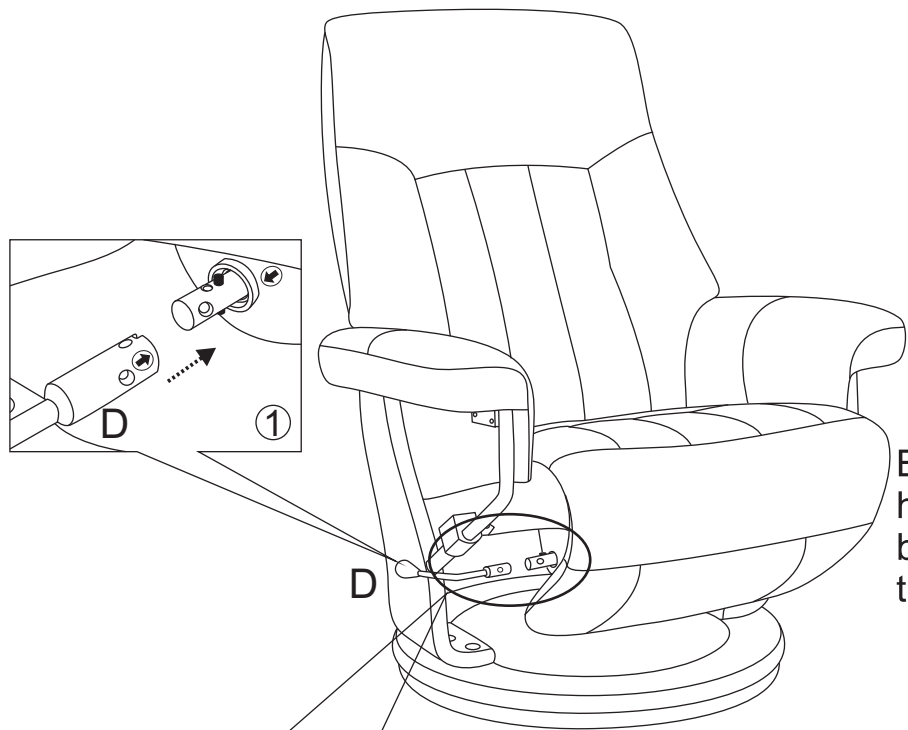


<b>A</b>	 M8X35	2PCS	<b>D</b>		1PC
<b>B</b>	 M8X70	2PCS	<b>E</b>	 M6X16	2PCS
<b>C</b>	 M6X25	4PCS	<b>F</b>		1SET





Be sure to push the handle to this position before you assemble the second bolt

