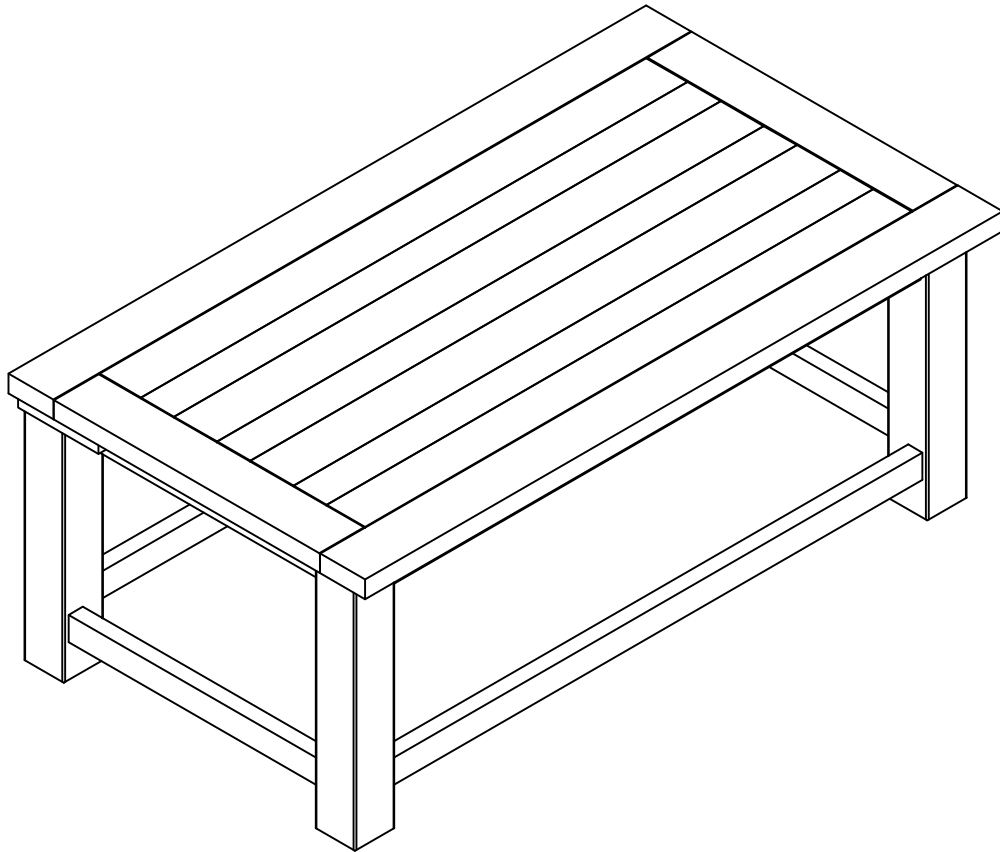


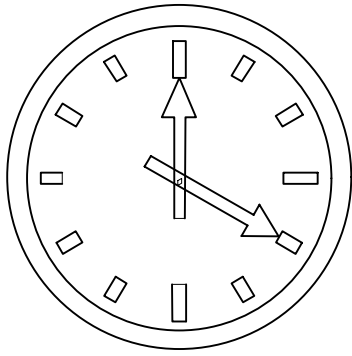
Assembly Instructions

899922- Space Saver Coffee Table - Black Coffee

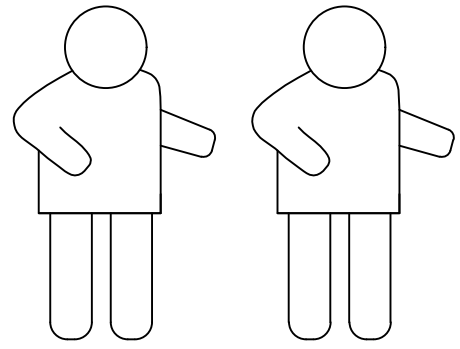
899925- Space Saver Coffee Table - White Stain & Grey

**Product Issues? Please Call Us Before Contacting Your Retailer At
1-800-549-3300, email customerservice@mshome.co, or visit www.mshome.co
We can help with Assembly Issues, Part Requests, Damages, & All Other
Product Related Questions**

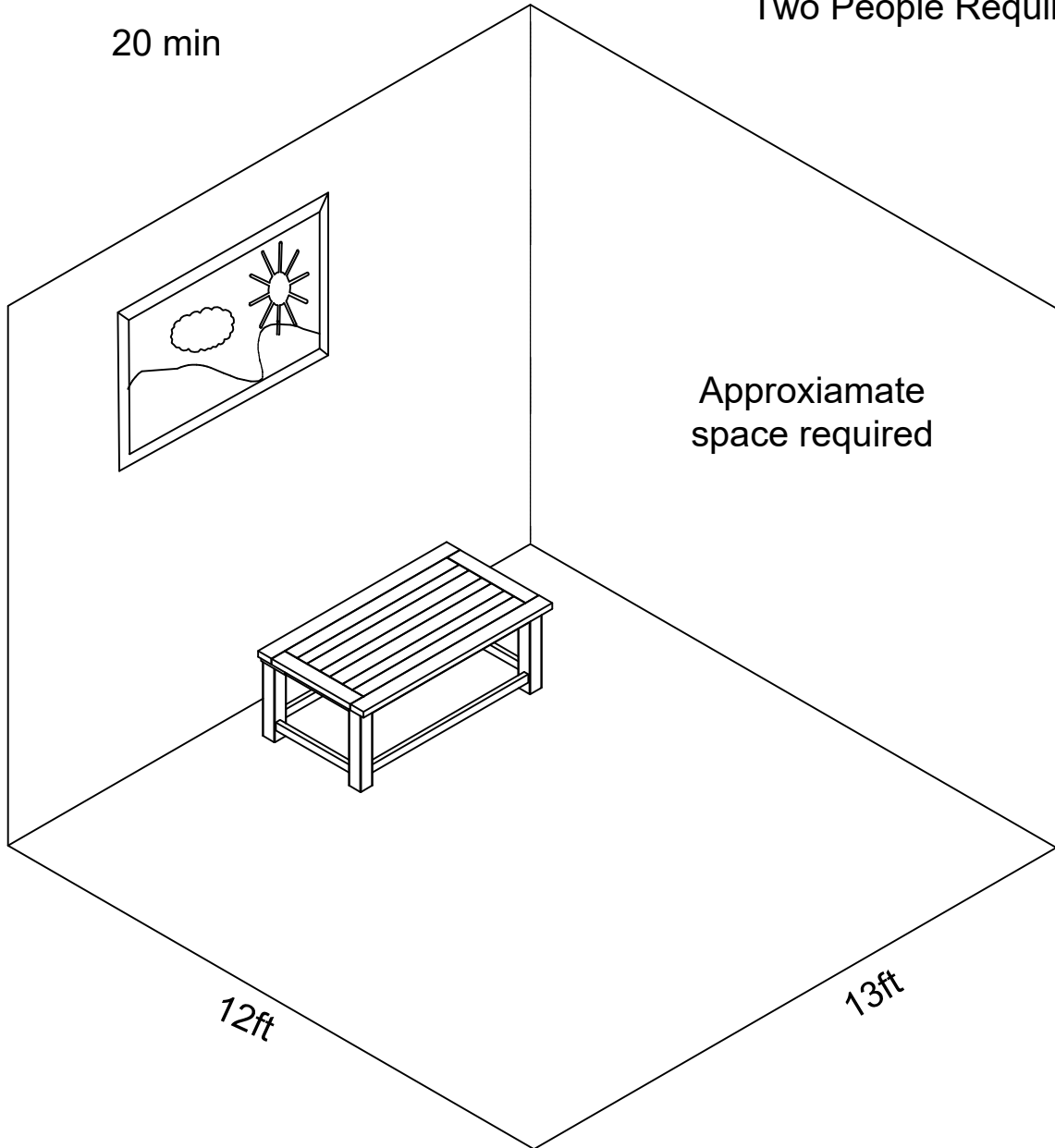




20 min



Two People Required



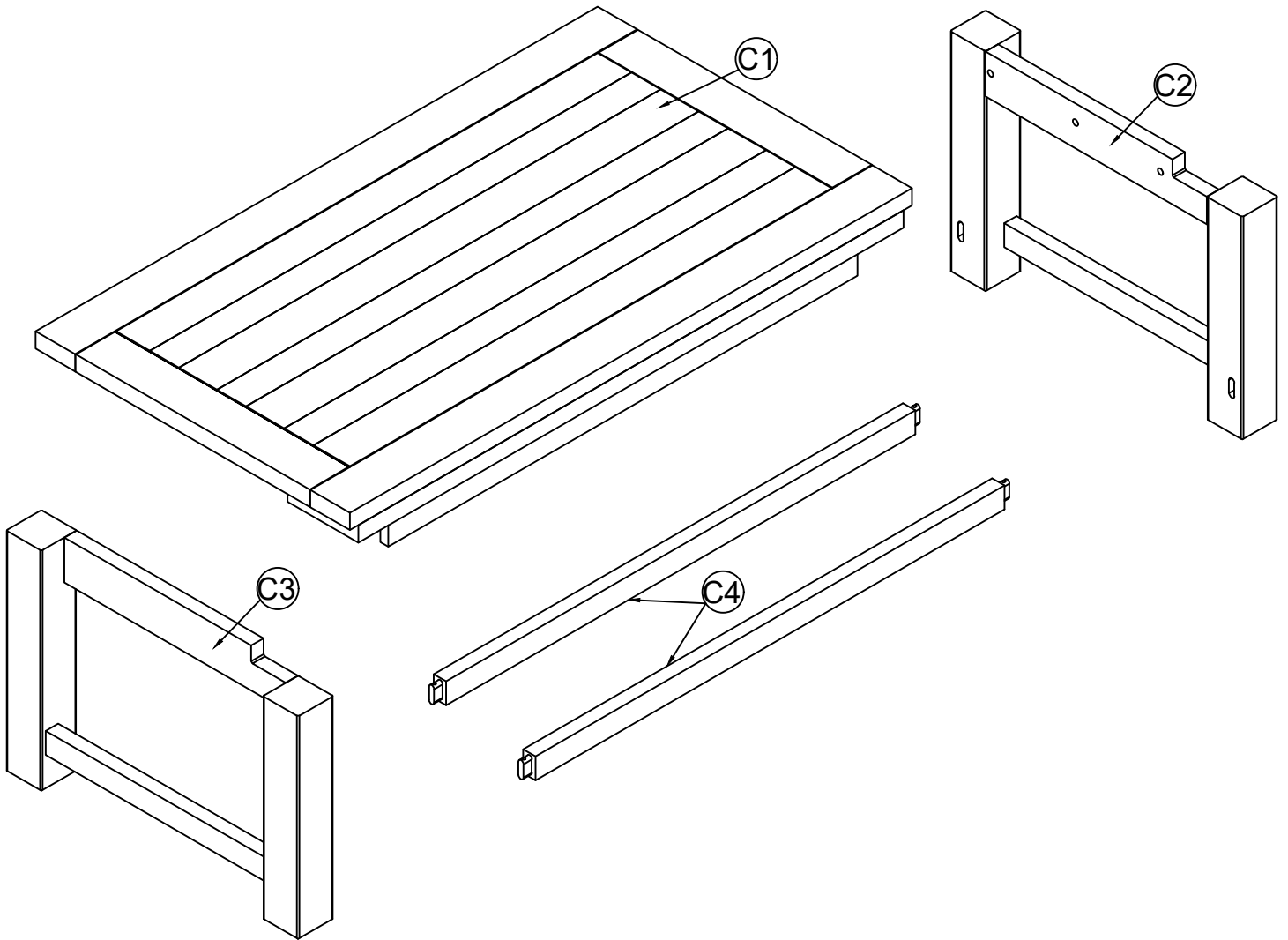
Parts Included:

C1 Top

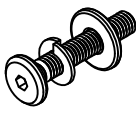

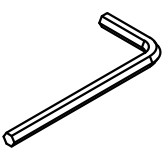
C2 Right Leg Frames

C3 Left Leg Frames


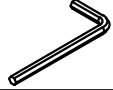
C4 Stretcher x 2



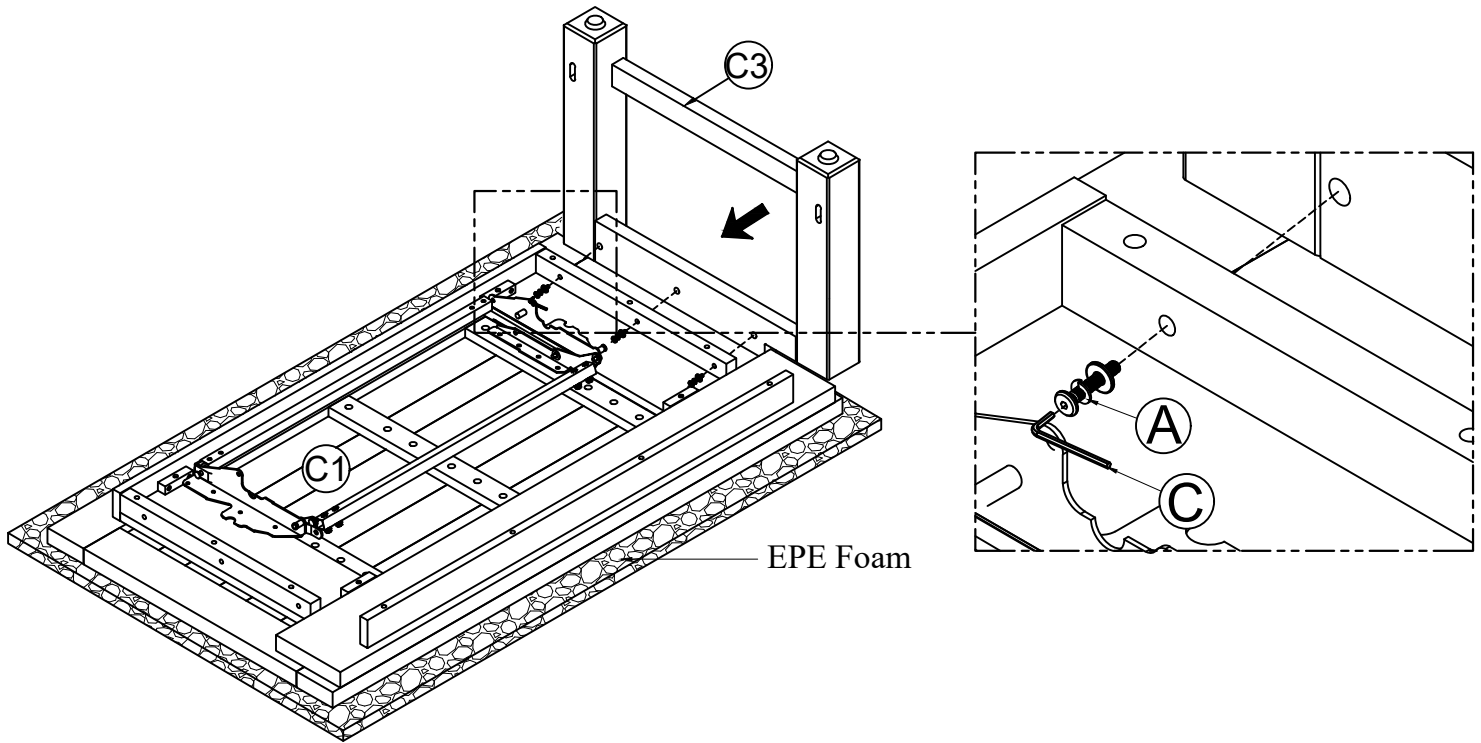
Hardware Pack:

<p>A</p>  <p>Ø6x40 (mm) : 6pcs</p>	<p>B</p>  <p>Ø4x50 (mm) : 4pcs</p>	<p>C</p>  <p>Ø4 : 1 pc</p>
---	---	---


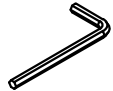
1

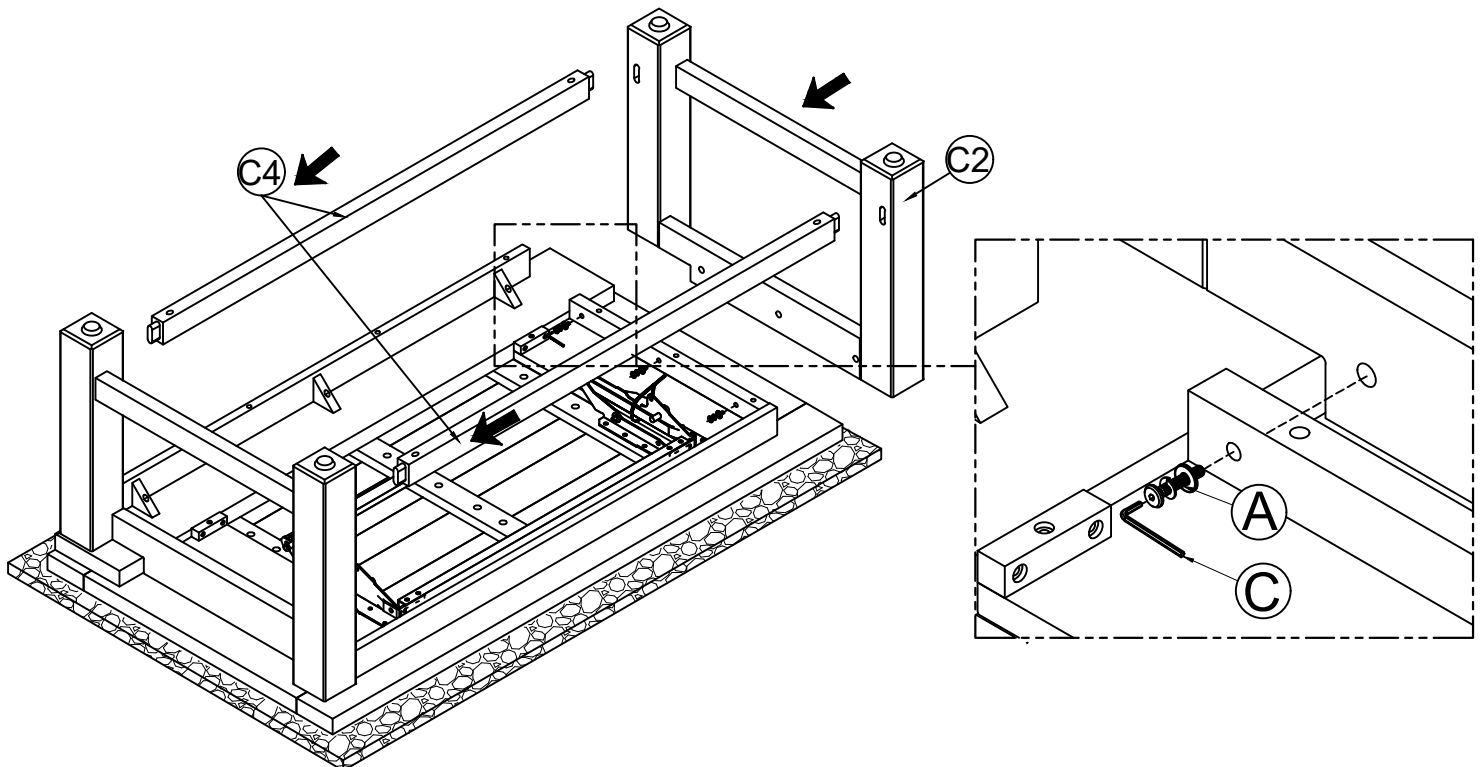
A x 3		Ø6x40 (mm)	C x 1	
-------	--	------------	-------	--

Please lay all components on smooth flat surface to prevent scratches
Use the EPE foam to protect the plastic hardware before assembly



2

A x 3		Ø6x40 (mm)	C x 1	
-------	---	------------	-------	---

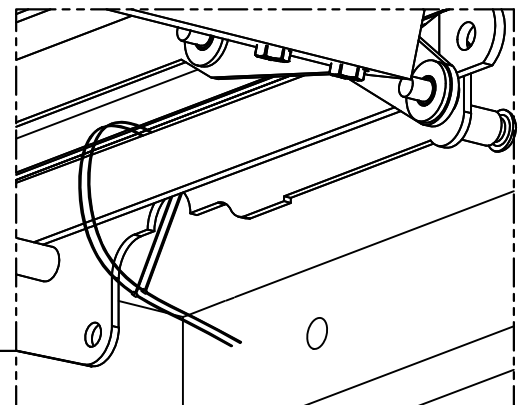
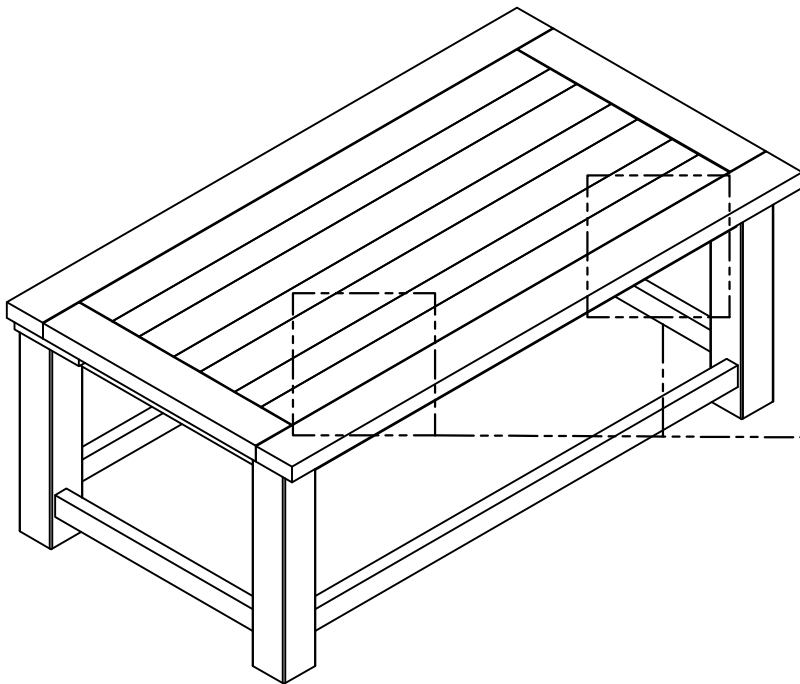
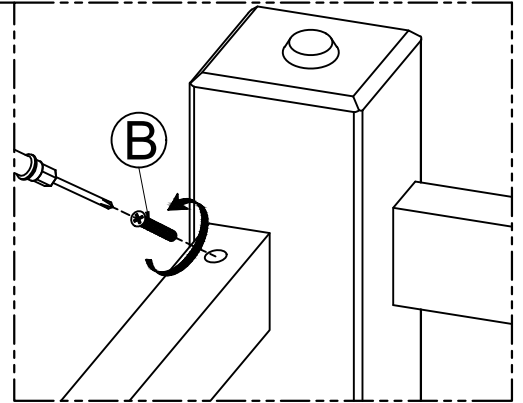
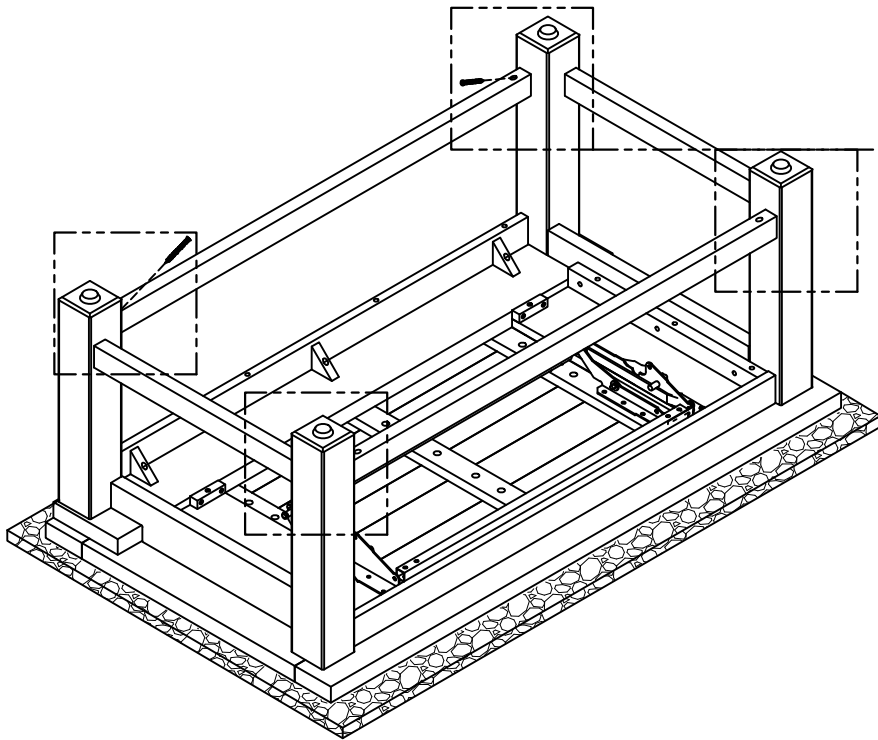
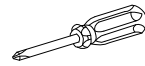


4

B x 4



Ø4x50 (mm)



After flipping over the table,
please cut the wire before
using and lifting the top

CAUTION: When table top is in the lifted position it is required to use the lock and keep it in the locked position. Failure to do so may lead to injury or damage to the product

