

PART LIST

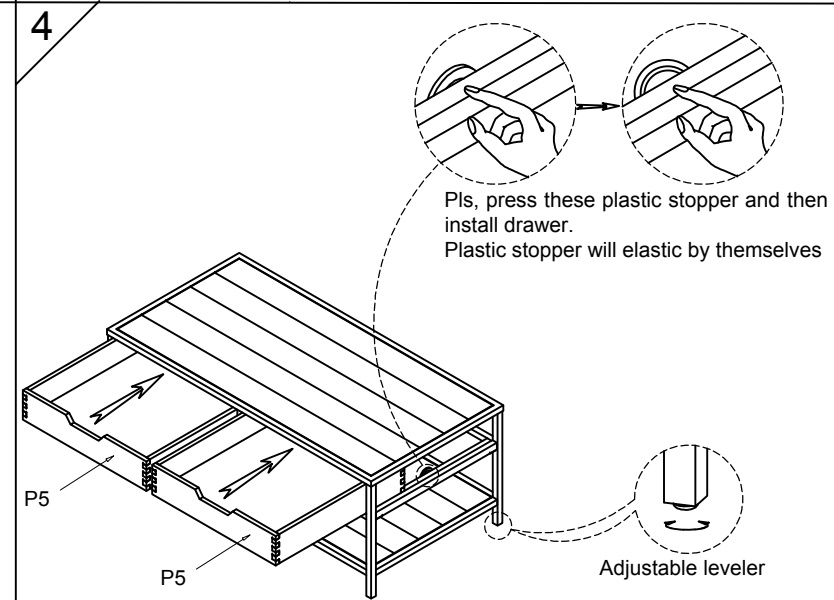
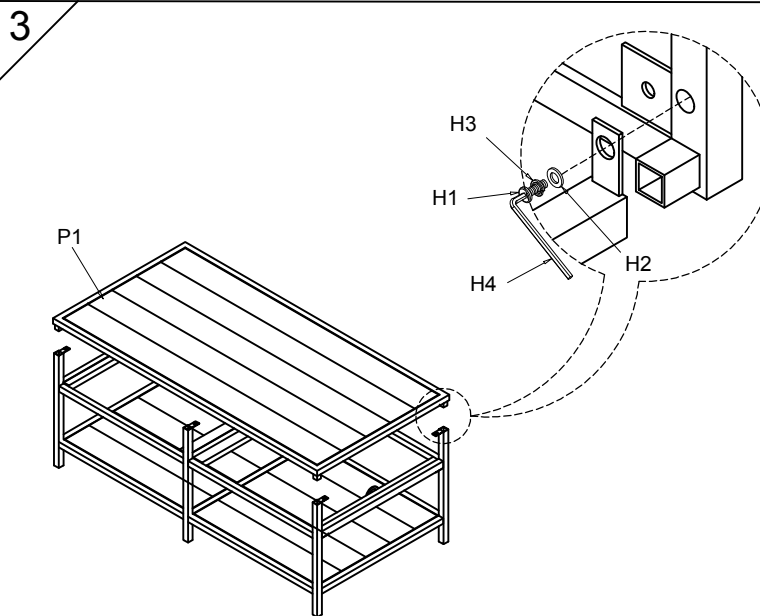
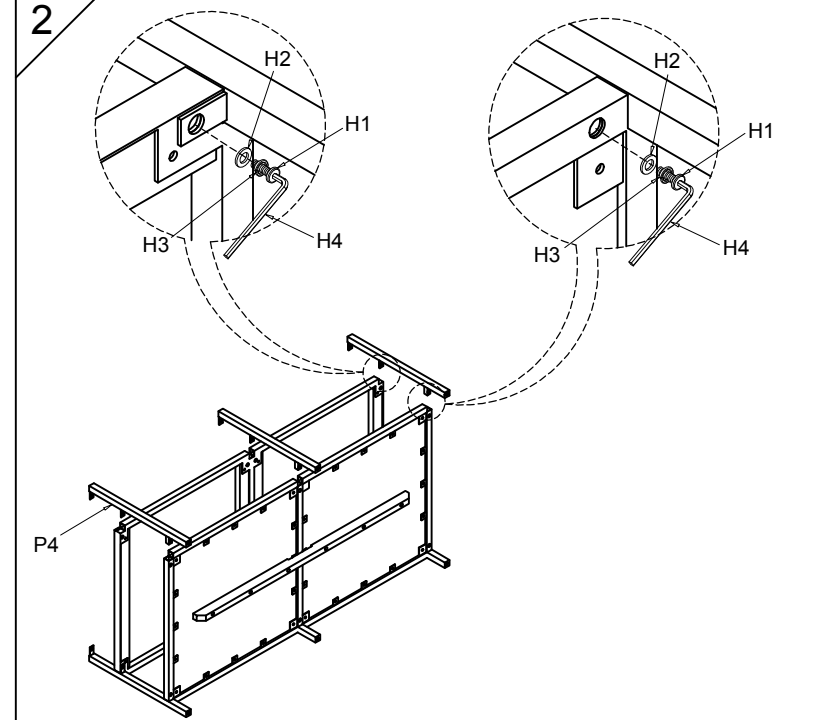
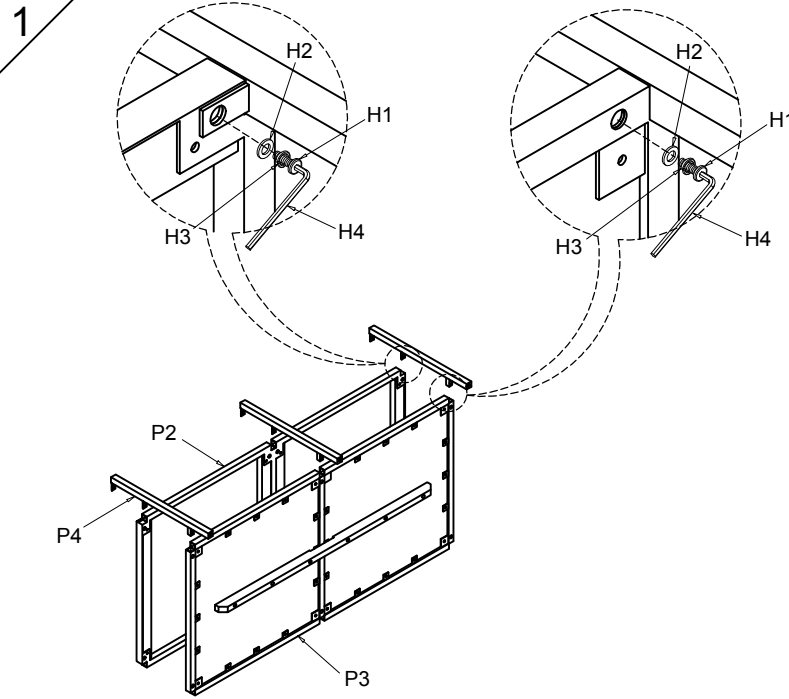
| No. | DESCRIPTION | IMAGE | QTY |
|-----|--------------|-------|-----|
| P1 | TOP FRAME | | 1 |
| P2 | MIDDLE FRAME | | 1 |
| P3 | BOTTOM FRAME | | 1 |
| P4 | LEGS | | 6 |
| P5 | DRAWER | | 2 |

HARDWARE LIST

| No. | DESCRIPTION | IMAGE | QTY |
|-----|-----------------------|-------|-----|
| H1 | BOLT Ø1/4*20 | | 18 |
| H2 | FLAT WASHER Ø16*1.5 | | 18 |
| H3 | SPRING WASHER Ø12*1.5 | | 18 |
| H4 | ALLEN KEY | | 1 |

NOTE: PO# is located underneath/ at the back side of each item. Please be prepared to provide this # should any claim be necessary.

CAUTION: Item is heavy. Assembly should be performed by two people.



ASSEMBLY COMPLETED