

Item # : AF30PAMNCT

Assembly Instructions



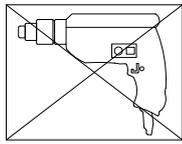
Walker Edison®

Please visit our website for the most current instructions, assembly tips, report damage, or request parts. www.walkeredison.com

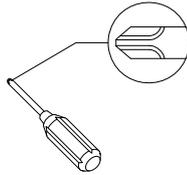
Revised 19/09/2019(I)

General Assembly Guidelines

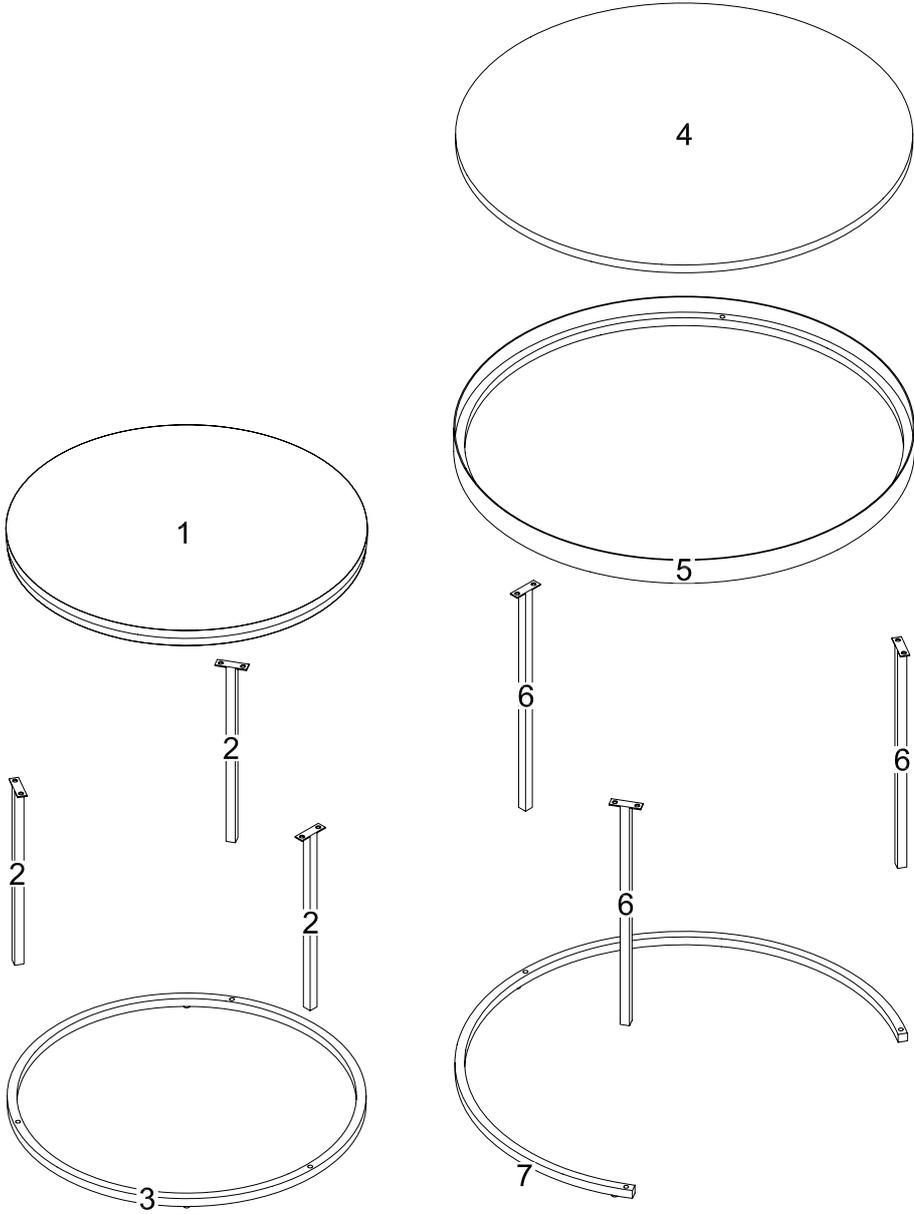
- I. Ensure that all parts and hardware are available before beginning assembly.
- II. Follow each step carefully to ensure the proper assembly of this product.
- III. Two people are recommended for ease in the assembly of this product.
- IV. The three main types of hardware used to assemble this product are: wood dowels, screws and bolts.
- V. Power tools should not be used to assemble this product.



- VI. A Phillips head screwdriver is required for the assembly of this product .

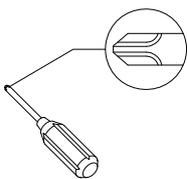


Parts List



Hardware List

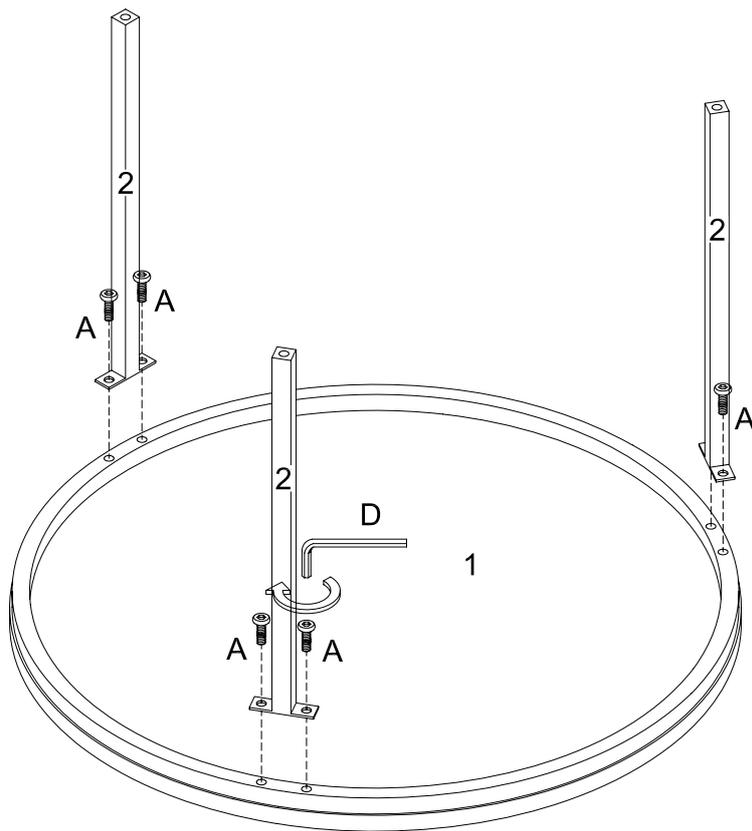
A		Ø6x12mm	Bolt	12 pcs
B		Ø6x25mm	Bolt	6 pcs
C		Ø4x28mm	Screw	3 pcs
D		M4	Hex Key	1 pcs



Philips head screwdriver required for assembly
(not included)

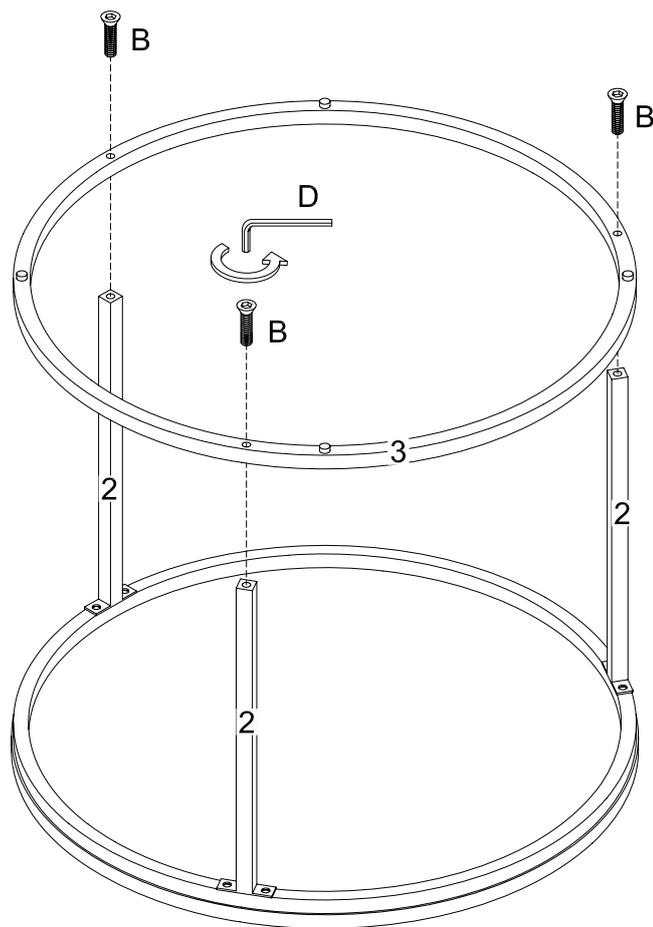
*The hardware quantities listed above are required for proper assembly.
Some extra hardware may also have been included.*

Step 1



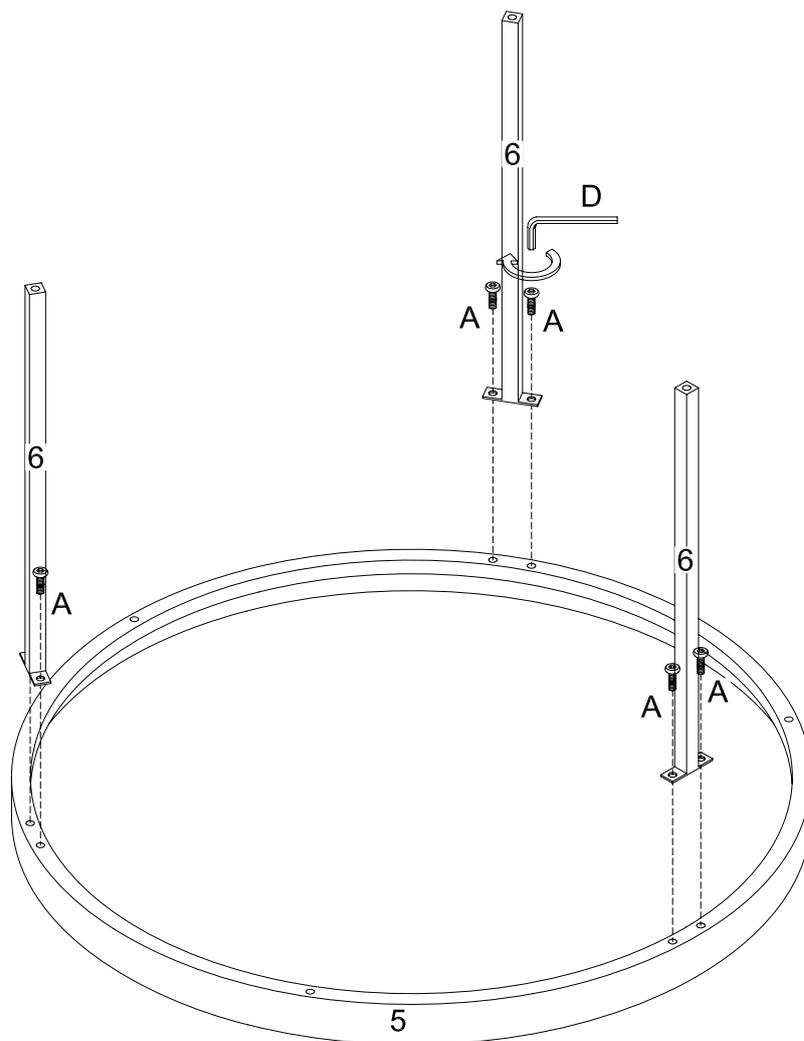
Using bolt (A) attach part (2) into part (1) with hex key (D) as per diagram.

Step 2



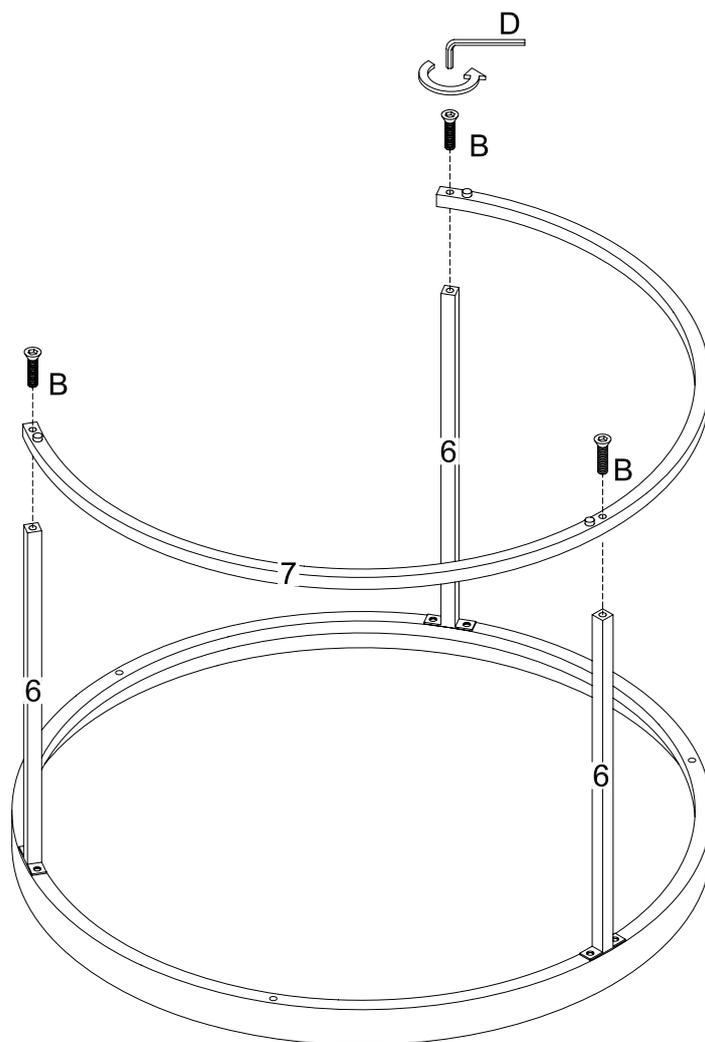
Using bolt (B) attach part (3) into part (2) with hex key (D) as per diagram.

Step 3



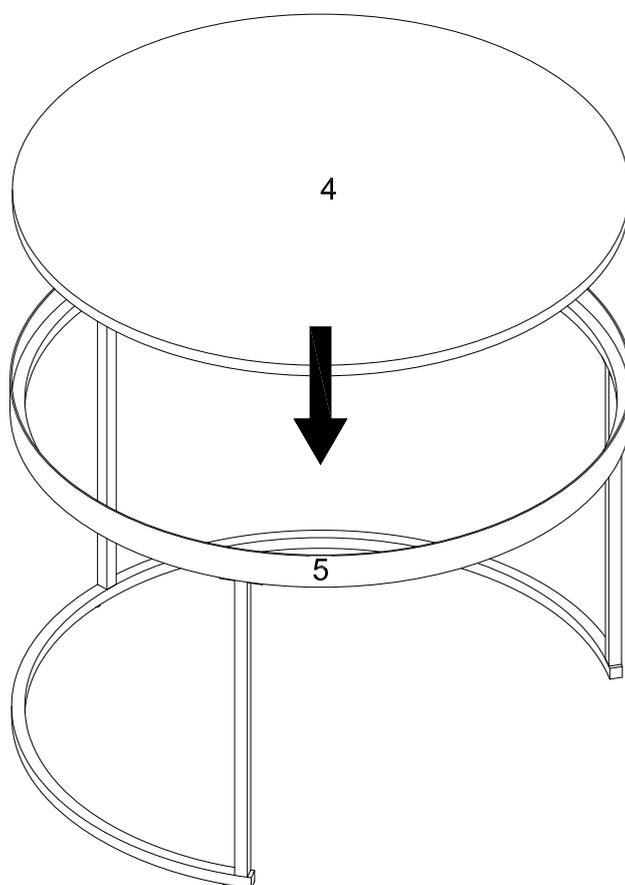
Using bolt (A) attach part (6) into part (5) with hex key (D) as per diagram.

Step 4



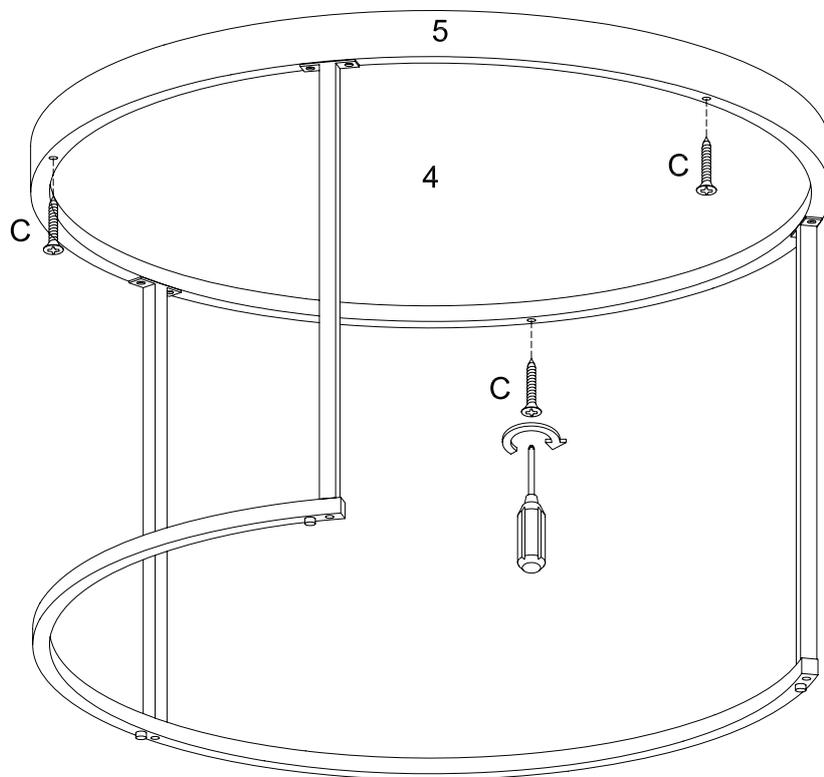
Using bolt (B) attach part (7) into part (6) with hex key (D) as per diagram.

Step 5



Put part (4) as per diagram.

Step 6



Using screw (C) secure part (4) into part (5) with Philips head screwdriver as per diagram.

Step 7



Final Assembly