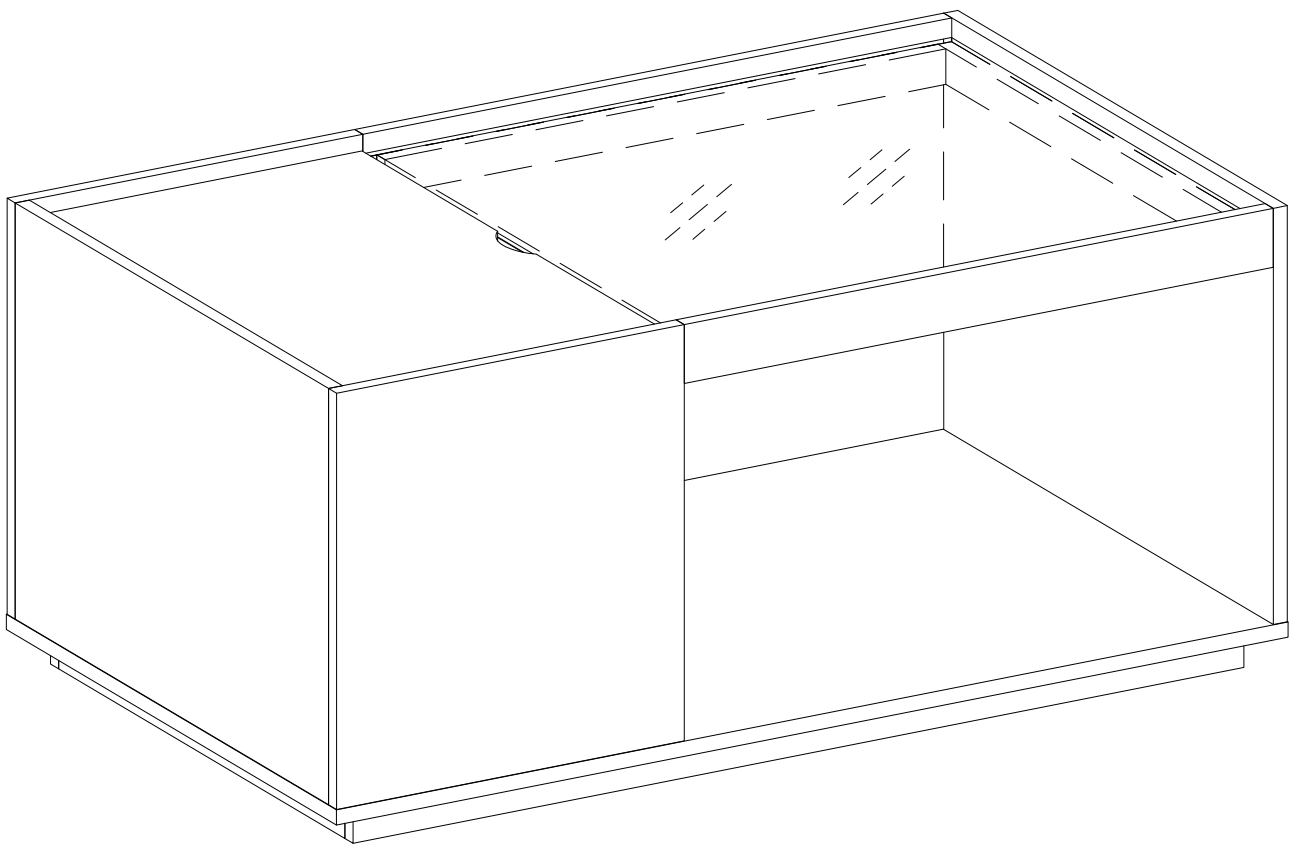


# Item # : AF40TALCT Assembly Instructions



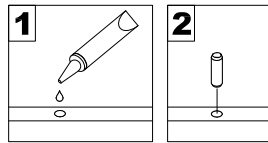
Walker Edison®

Please visit our website for the most current instructions, assembly tips, report damage, or request parts. [www.walkerediton.com](http://www.walkerediton.com)

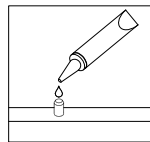
Revised 23/04/2020(C)

# General Assembly Guidelines

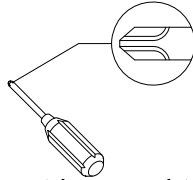
- I. Ensure that all parts and hardware are available before beginning assembly.
- II. Follow each step carefully to ensure the proper assembly of this product.
- III. Two people are recommended for ease in the assembly of this product.
- IV. The three main types of hardware used to assemble this product are: wood dowels, screws and bolts.
- V. The provided glue is to secure wood dowels in place. When first inserting dowels, locate the appropriate hole for the dowel, place a small amount of glue in the hole and insert the dowel. Wipe away excess glue immediately.



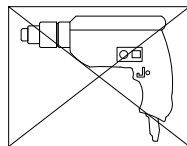
In future assembly steps when dowels are necessary to attach assembly parts together, place a small amount of glue on the end of the dowel before attaching parts together. Wipe away excess glue immediately.



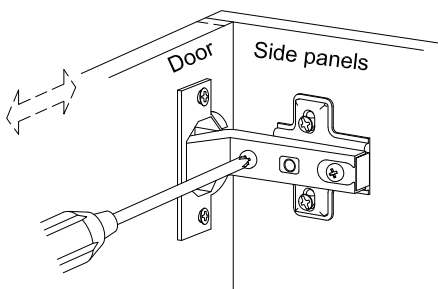
- VI. A Phillips head screwdriver is required for the assembly of this product.



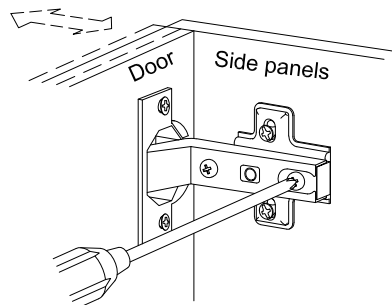
- VII. Power tools should not be used to assemble this product.



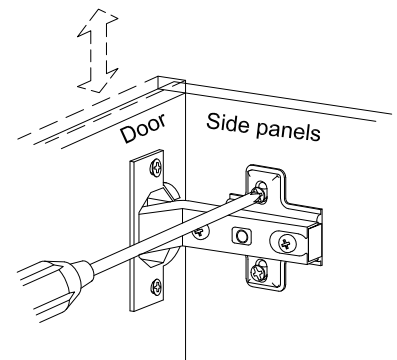
- VIII. Drill may be needed for securing product to wall.
- IX. Concealed hinges are three-way adjustable.



Horizontal  
by screw adjustment

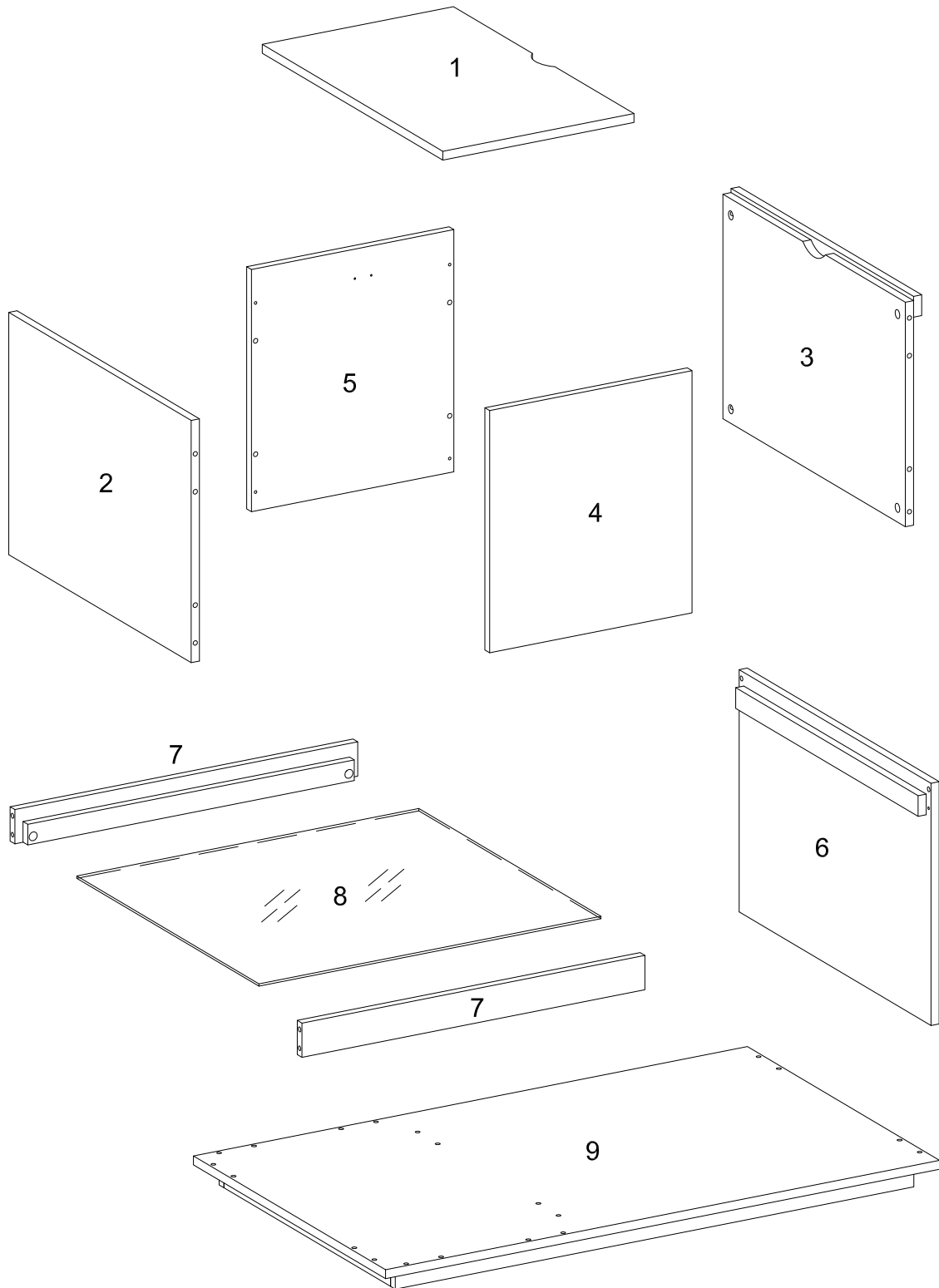


In-and-Out  
by loosening the hinge-arm  
mounting screw or via cam  
adjustment




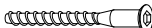



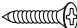
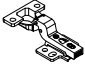
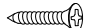





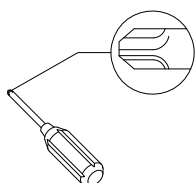
Vertical  
Via slots in the mounting  
plate or via cam adjustment

# Parts List



# Hardware List

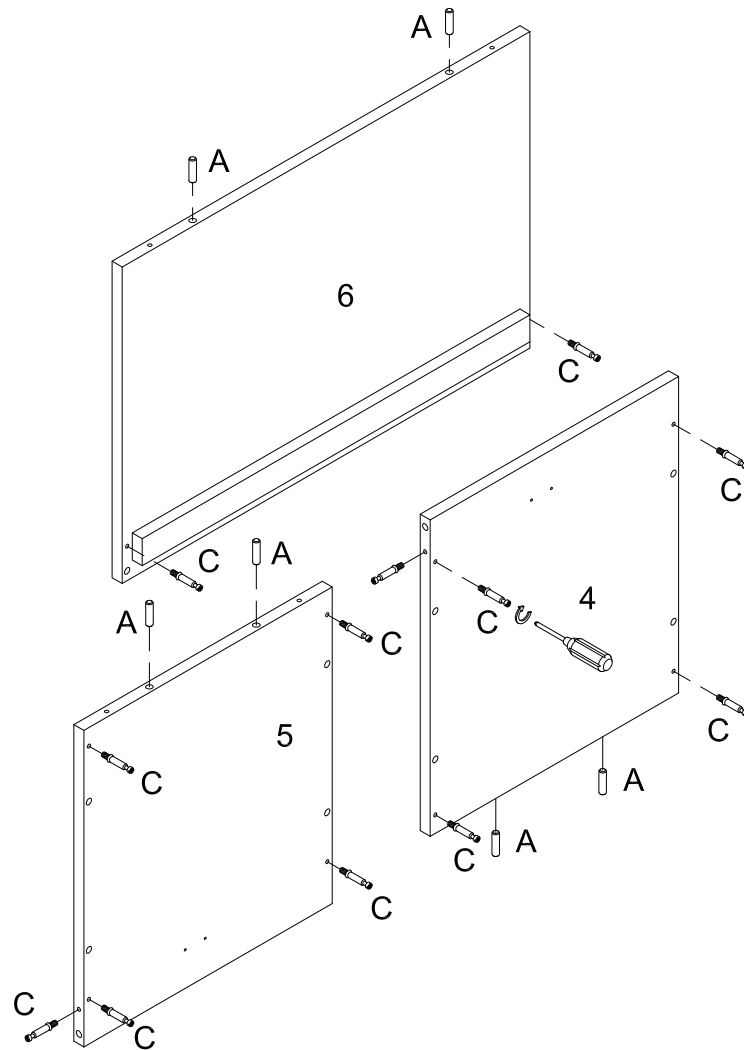
A		Ø8x30mm	Wooden dowel	22 pcs
B		Ø15x11mm	Cam lock	12 pcs
C		Ø6x35mm	Cam bolt	12 pcs
D		Ø6x50mm	Screw	10 pcs
E		M 4	Hex Key	1 pc
F			Glass pad	2 pcs
G		Ø30mm	Sticker	12 pcs
H		Ø3.5x14mm	Screw	12 pcs
J			Europe hinge	2 pcs
K		Ø4x15mm	Screw	8 pcs
L			Hinge	1 pc
M			Hinge	1 pc
N			Glue tube	1 pc



Philips head screwdriver required for assembly  
(not included)

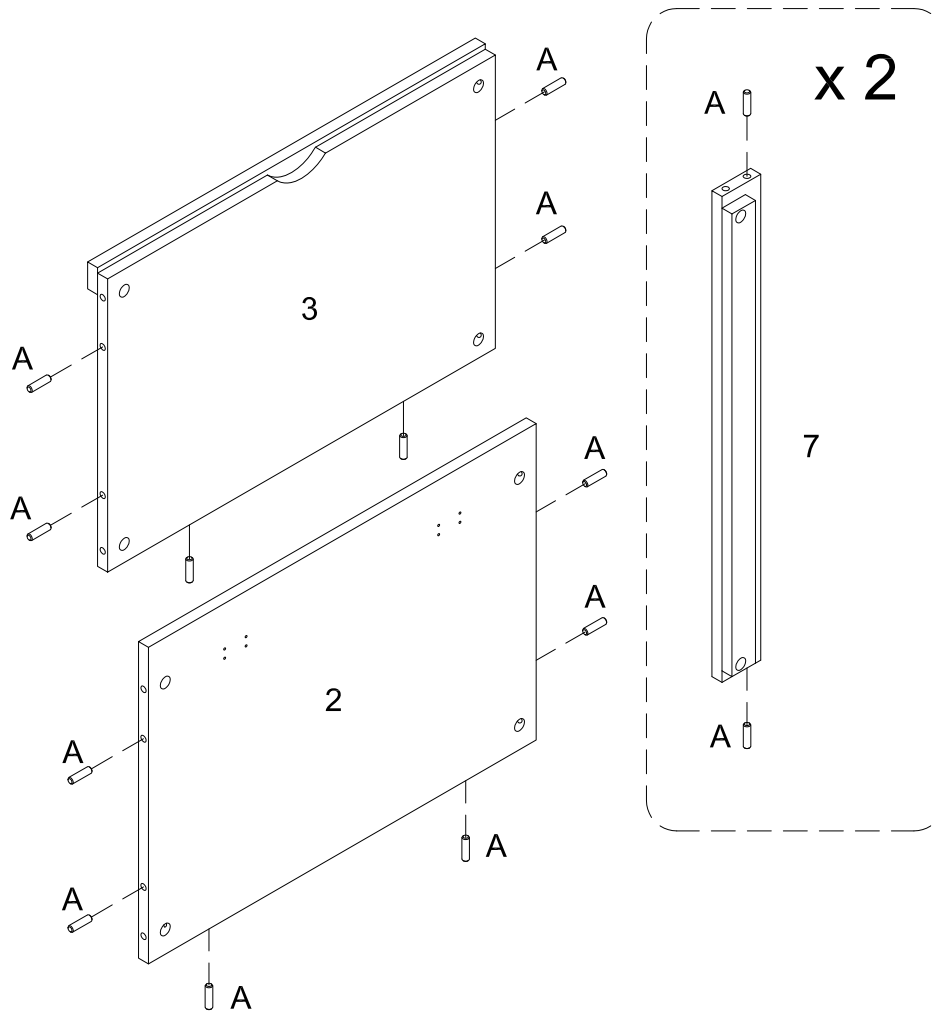
*The hardware quantities listed above are required for proper assembly.  
Some extra hardware may also have been included.*

# Step 1



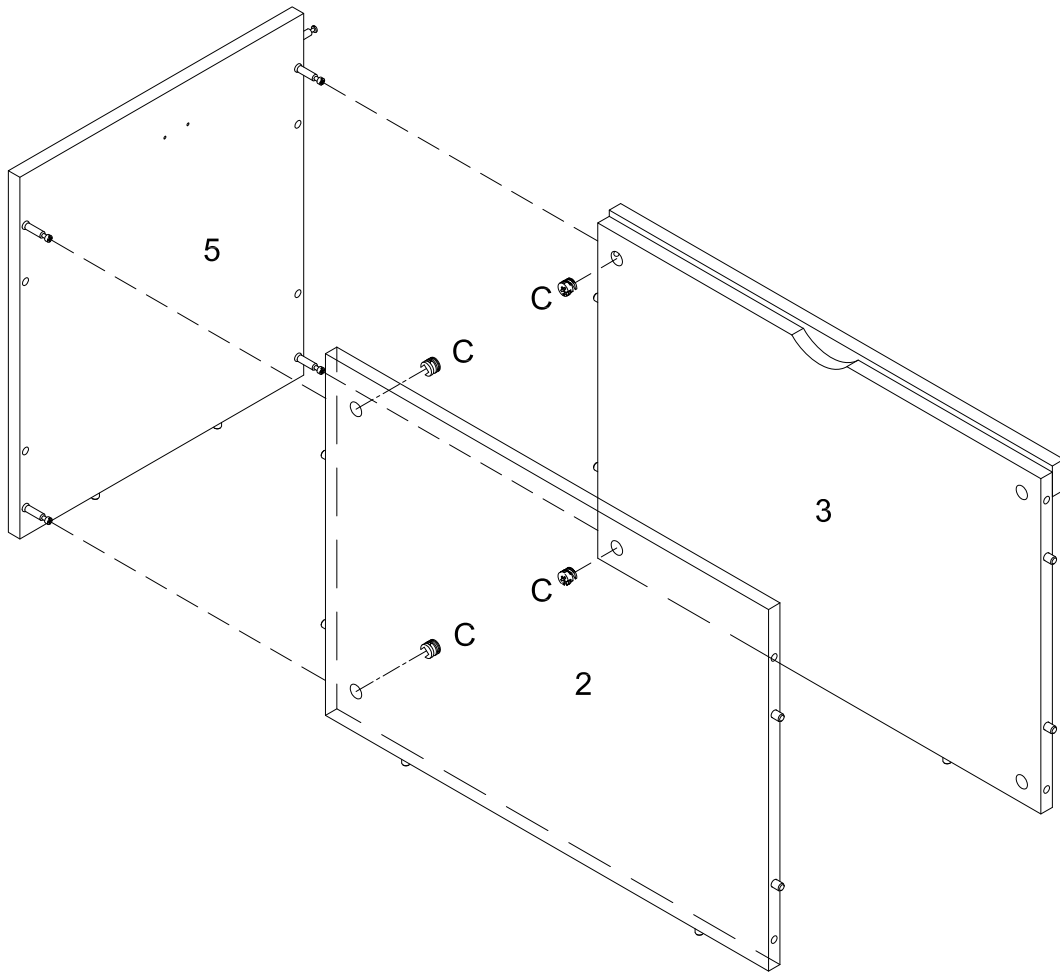
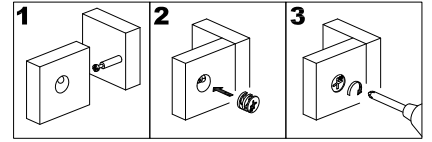
Insert wooden dowel (A) into parts (4,5,6) , then secure cam bolt (C) into parts (4,5,6) Philips head screwdriver as per diagram.

# Step 2



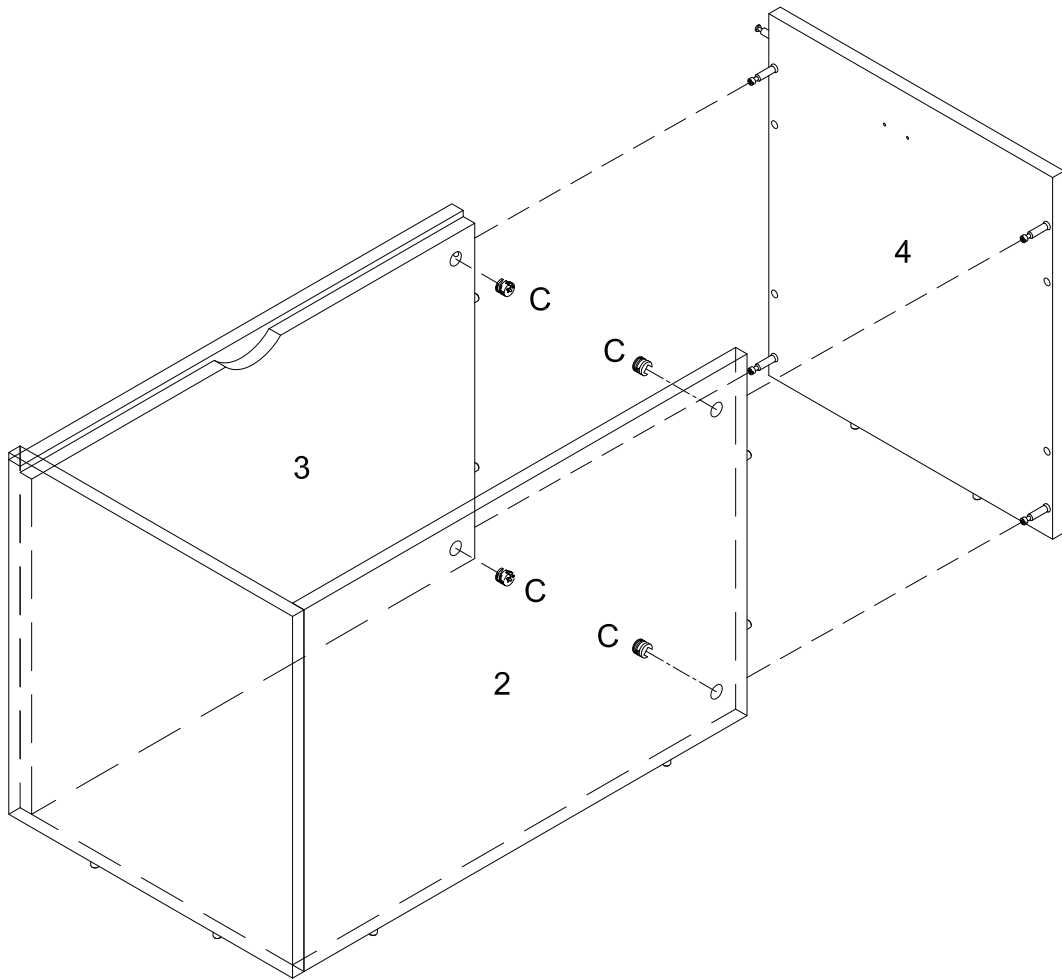
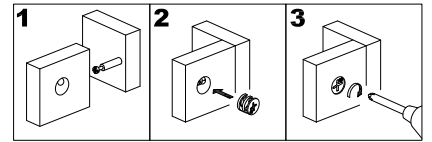
Insert wooden dowel (A) into parts (2,3,7) as per diagram.

# Step 3



Using cam lock(C) secure part (5) to parts (2,3) with Philips head screwdriver as per diagram.

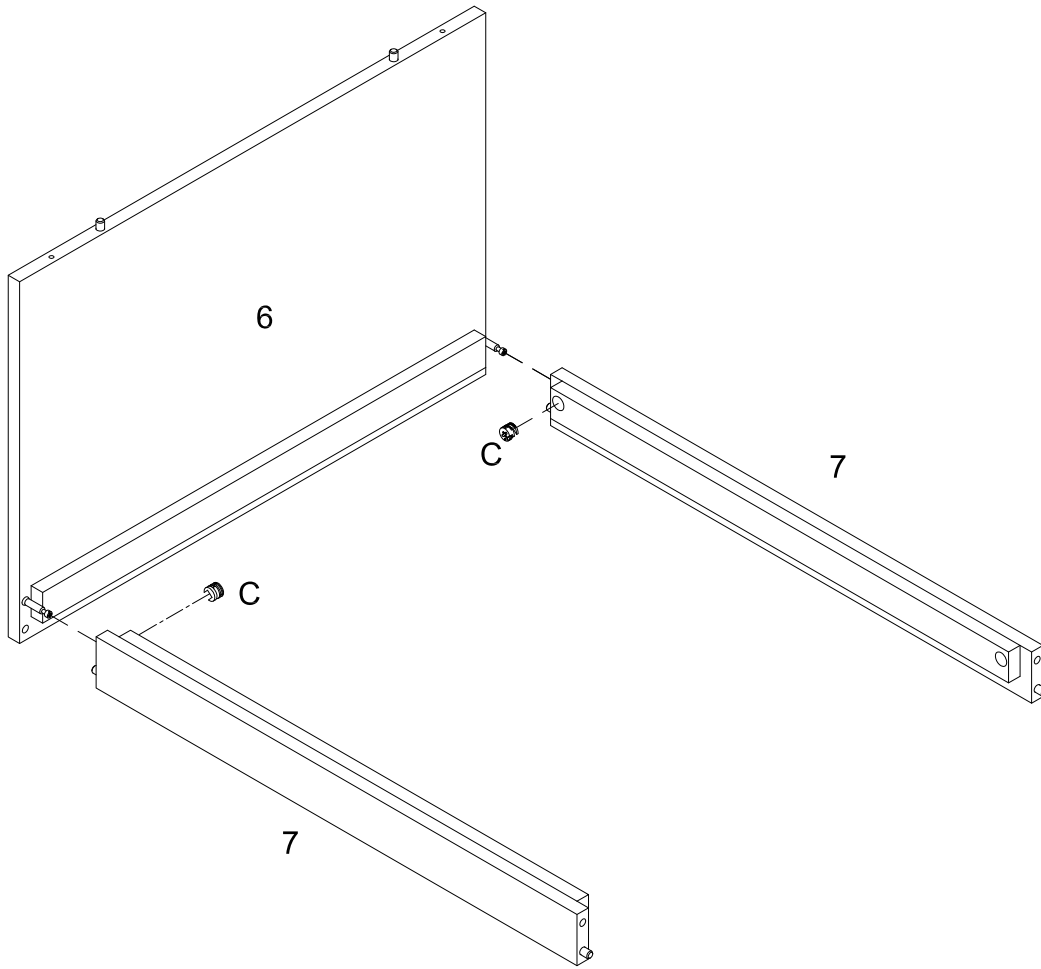
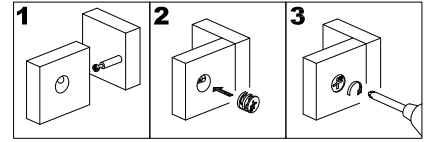
# Step 4



Using cam lock(C) secure part (4) to parts (2,3) with Philips head screwdriver as per diagram.

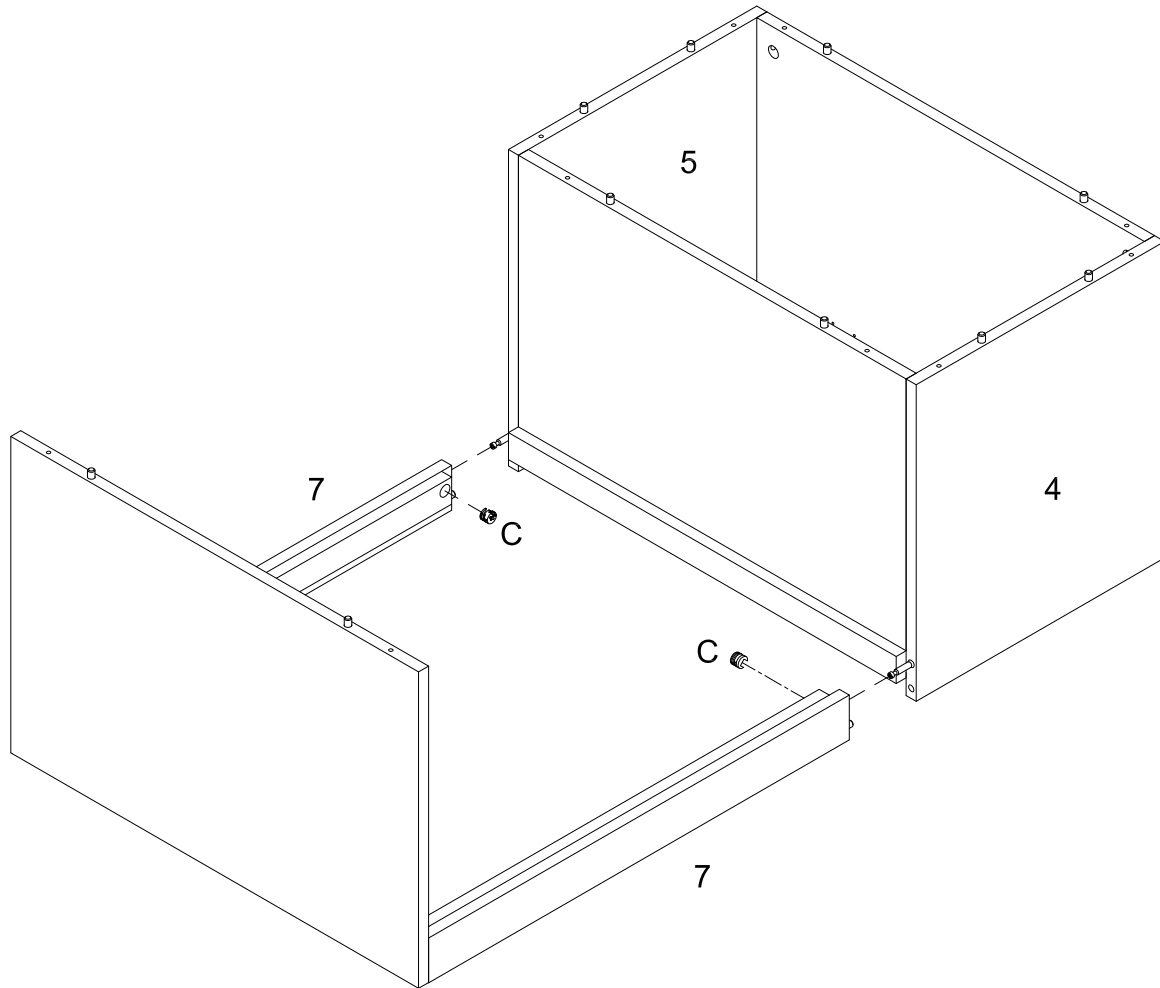
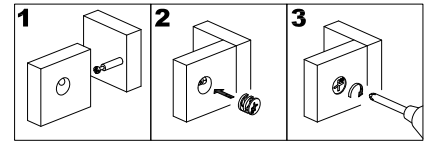


# Step 5



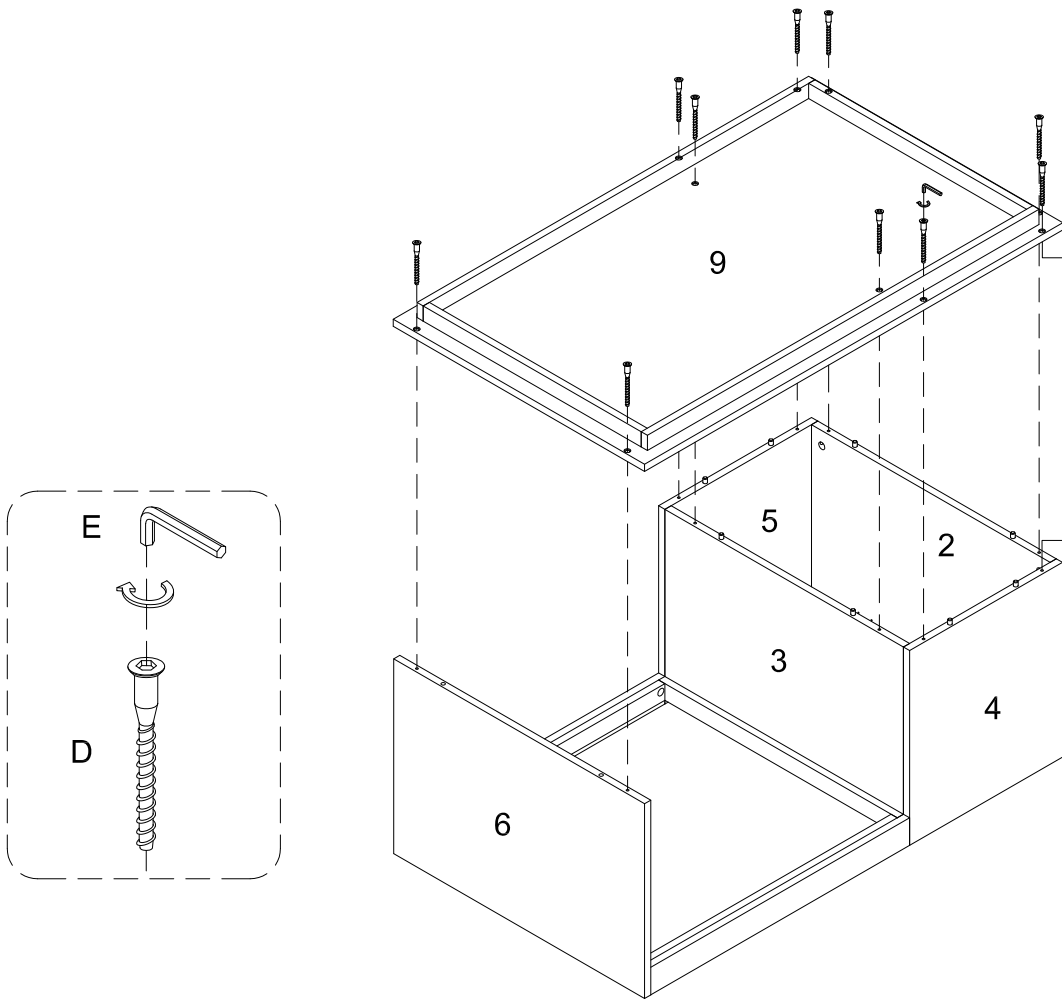
Using cam lock(C) secure part (6) to parts (7) with Philips head screwdriver as per diagram.

# Step 6



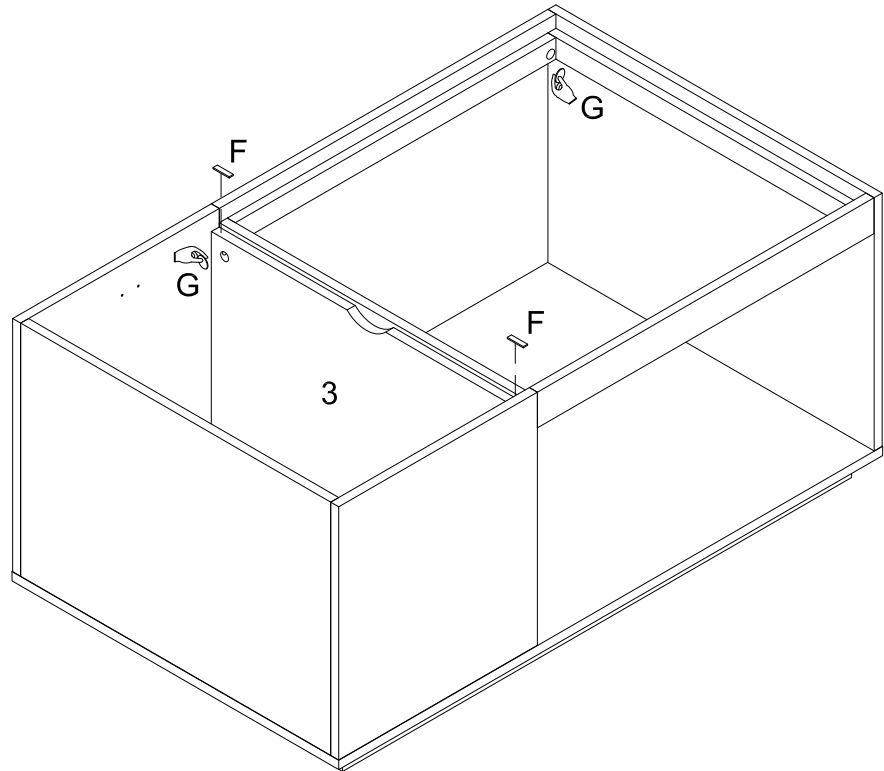
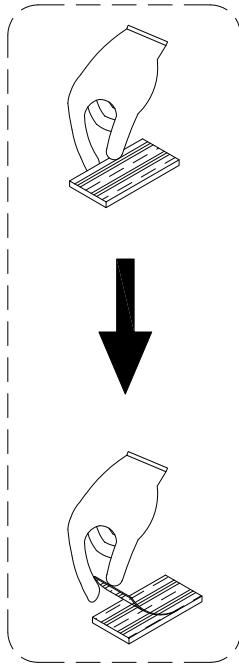
Using cam lock(C) secure part (3,4) to part (7) with Philips head screwdriver as per diagram.

# Step 7



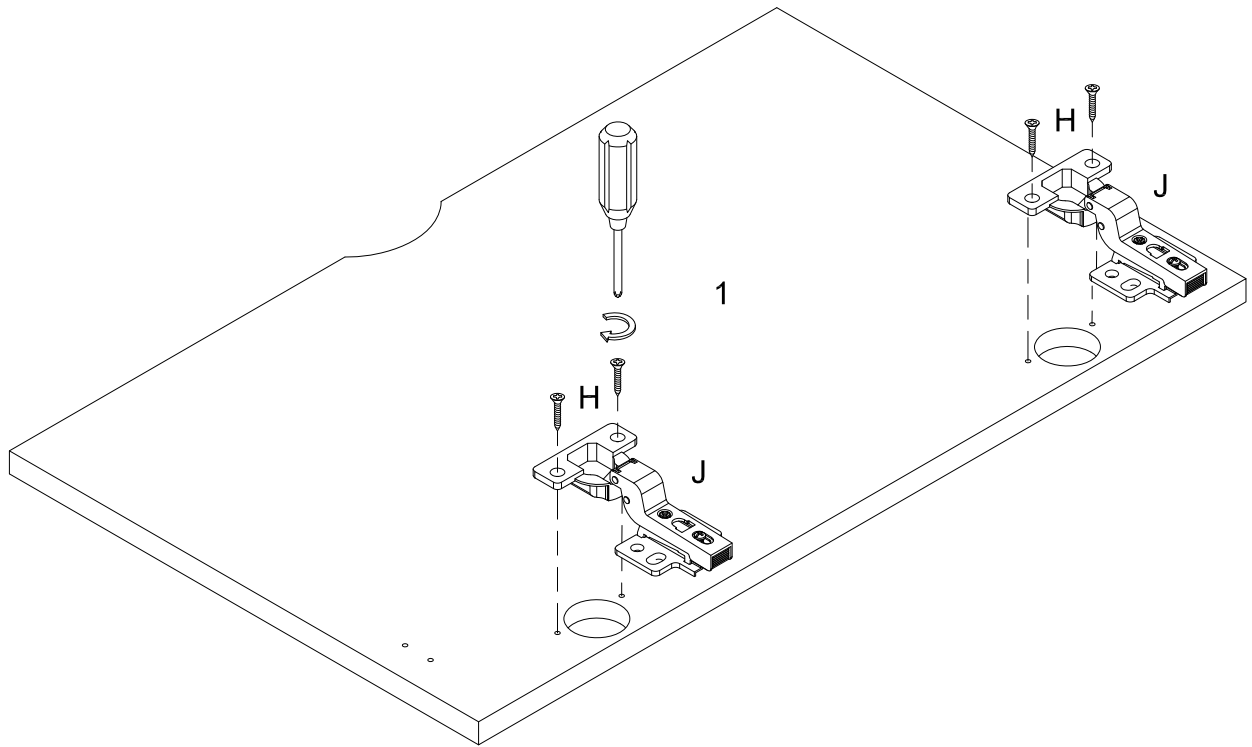
Using screw (D) attach part (9) into parts (2,3,4,5,6) with Hex key (E) as per diagram.

# Step 8



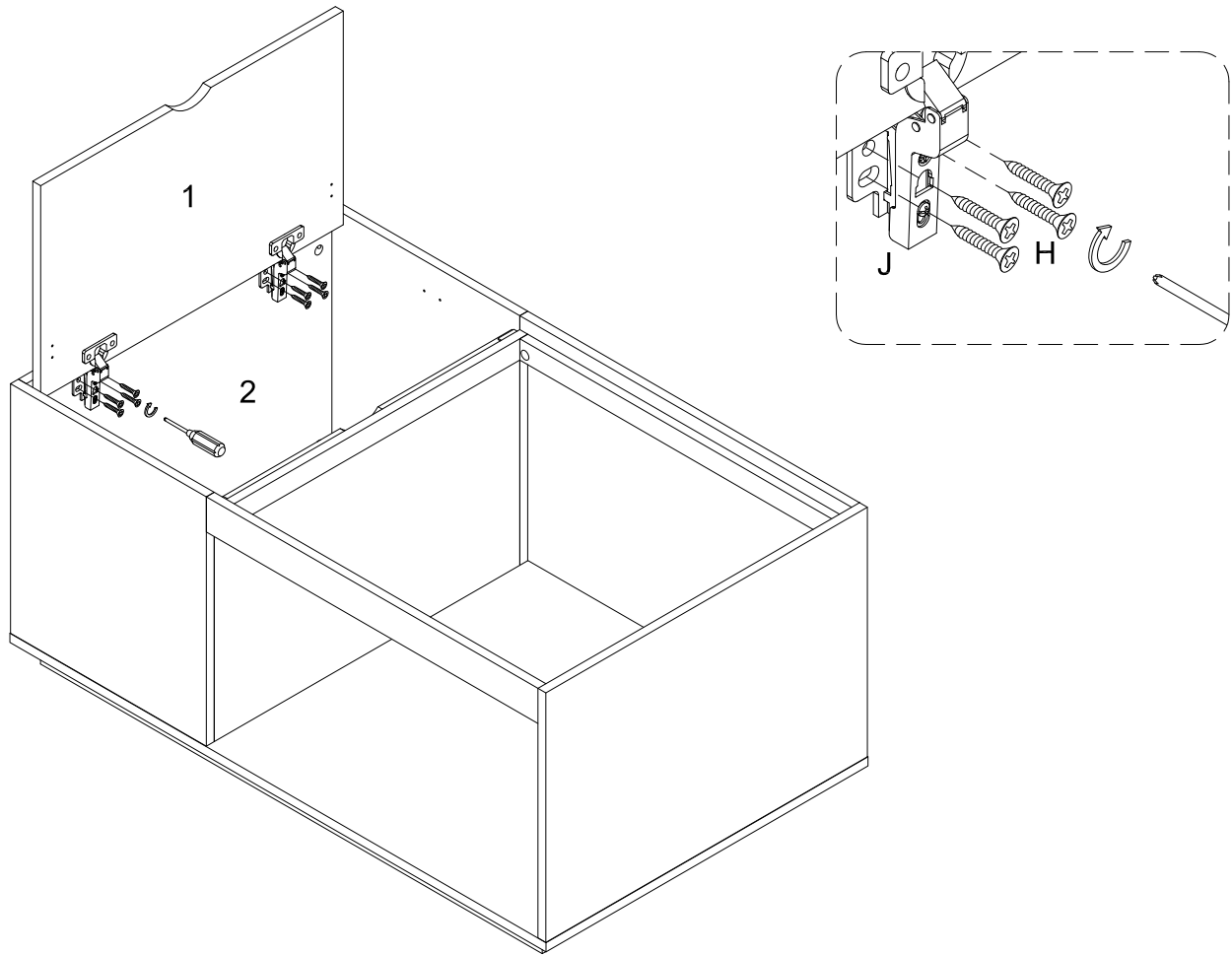
Place sticker (G) cover the holes, then tear off glass pad (F) and put them as per diagram .

# Step 9



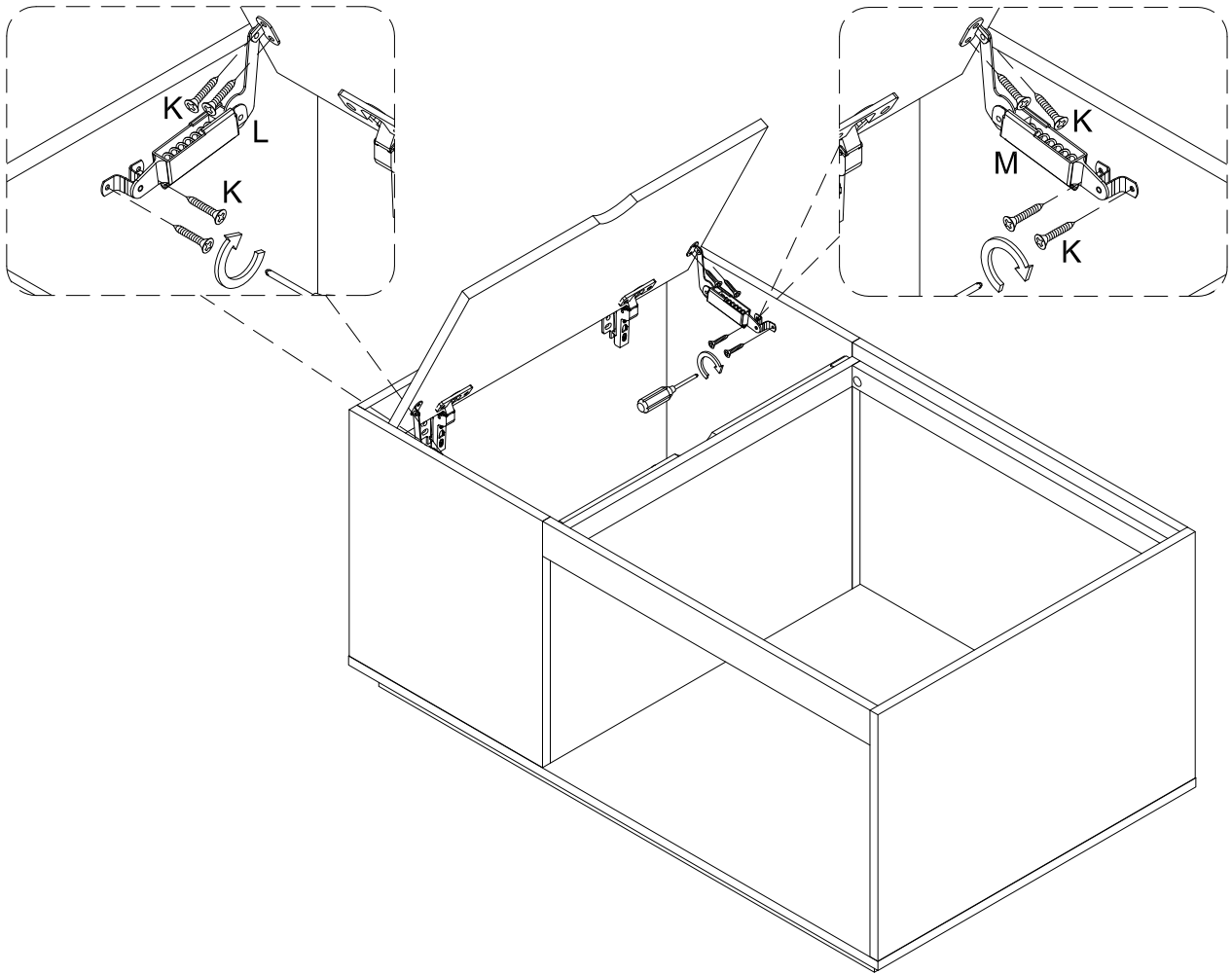
Using screw (H) attach Europe hinge (J) to part (1) with Philips head screwdriver as per diagram.

# Step 10



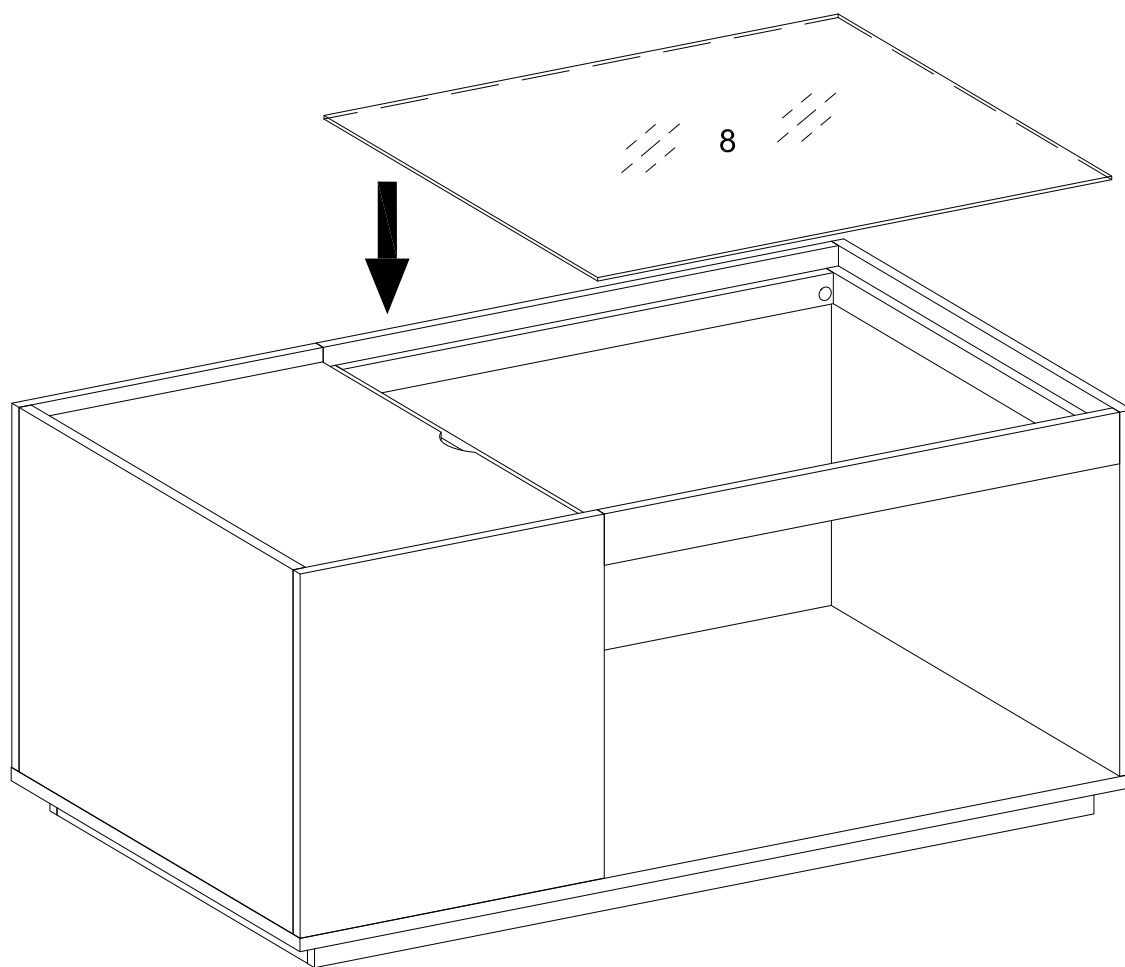
Using screw (H) attach Europe Hinge (J) to part (2) with Philips head screwdriver as per diagram.

# Step 11



Using screw (K) attach hinges (L,M) with Philips head screwdriver as per diagram.

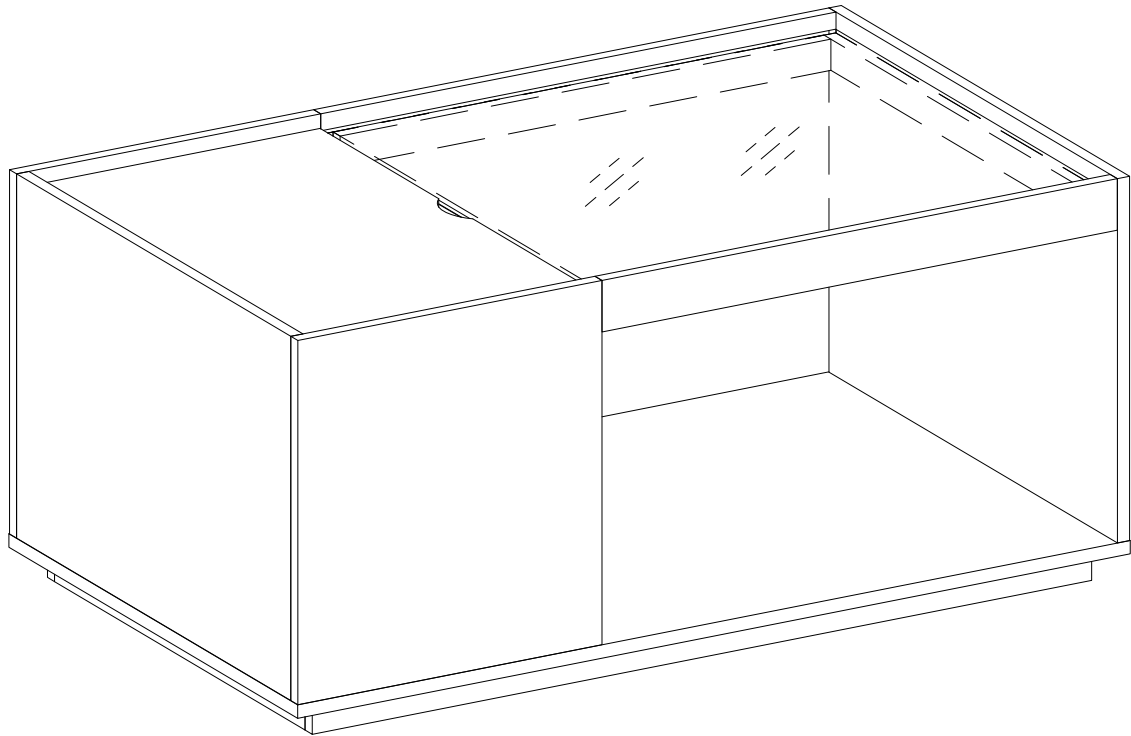
# Step 12



Put glass (8) carefully as per diagram.



# Step 13



## Final Assembly