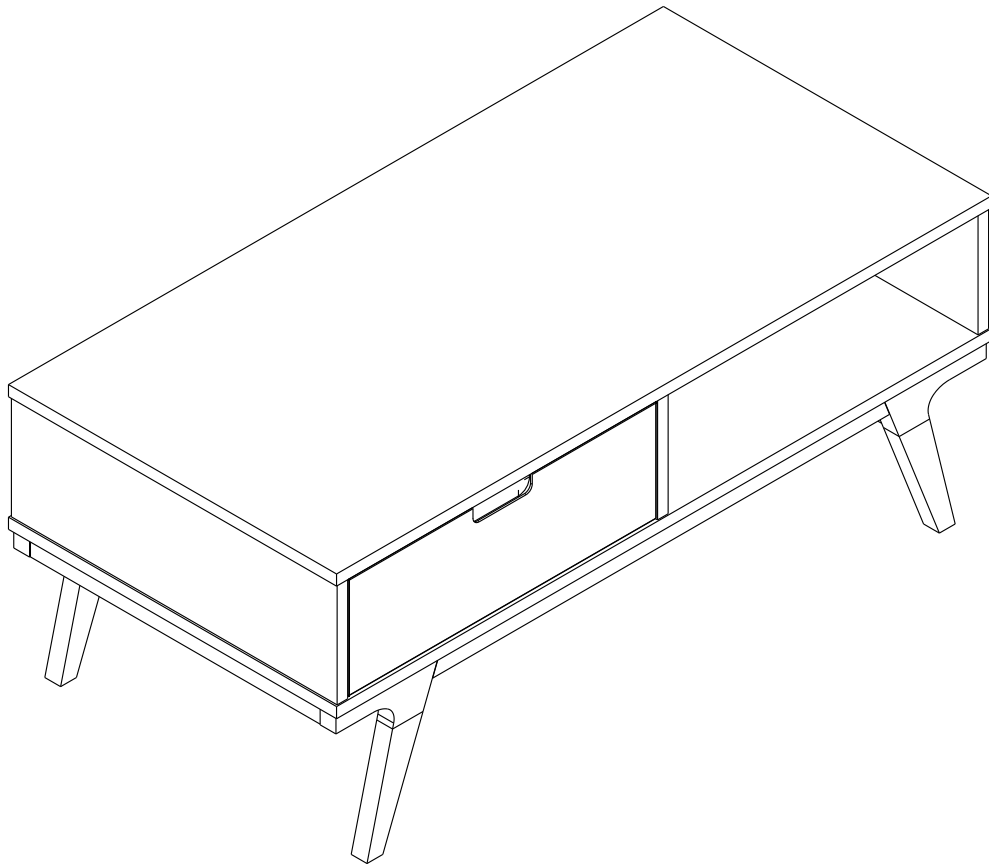


Item #: AF44MATCT

Assembly Instruction

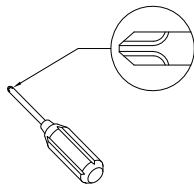


Please visit our website for the most current instructions, assembly tips report damage, or request parts. www.walkeredison.com

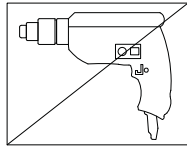
Revised 08/2019

General Assembly Guidelines

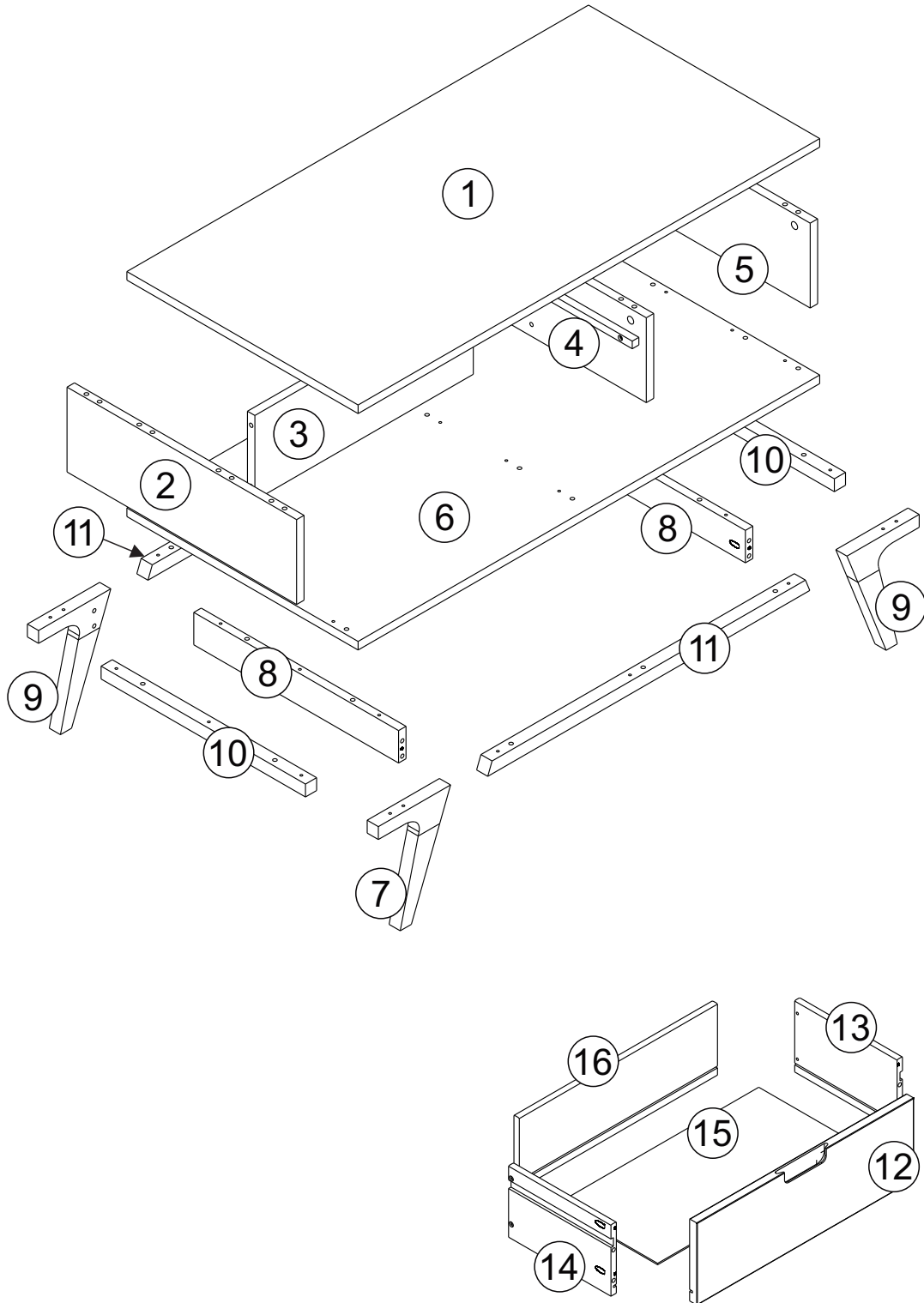
- I. Ensure that all parts and hardware are available before beginning assembly.
- II. Follow each step carefully to ensure the proper assembly of this product.
- III. Two people are recommended for ease in the assembly of this product.
- IV. The three main types of hardware used to assemble this product are : wood dowels , screws and bolts.
- V. A Phillips head screwdriver is required for the assembly of this product .



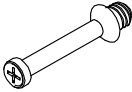

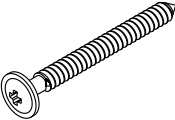
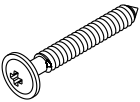

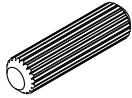
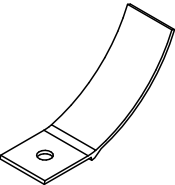
- VI. Power tools should not be used to assemble this product .

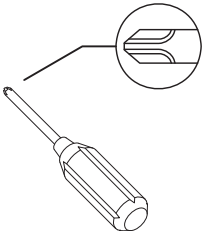


Parts List



Hardware List

A		Ø 5,5x28mm	Cam Bolt	12 pcs
B		Ø 14x14mm	Cam Lock	12 pcs
C		Ø 4,0x40 mm	Screw	30 pcs
D		Ø 4,0x30 mm	Screw	20 pcs
E		Ø 3,0x16 mm	Screw	01 pc
F		Ø 8,0x30 mm	Wood dowel	54 pcs
G			Drawer Limiter	01 pc

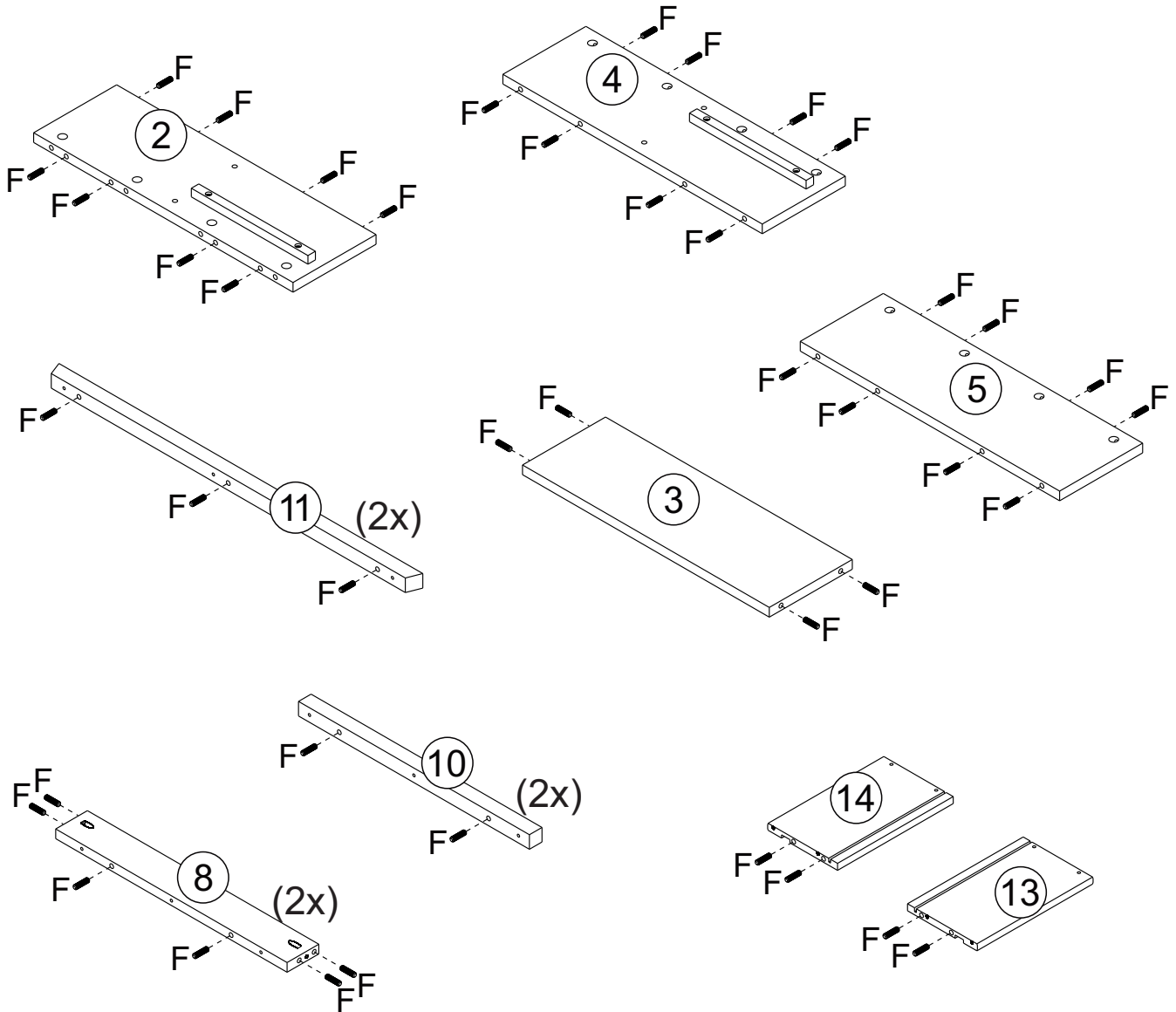


Philips head screwdriver required for assembly
(not included)

*The hardware quantities listed above are required for proper assembly.
Some extra hardware may also have been included.*

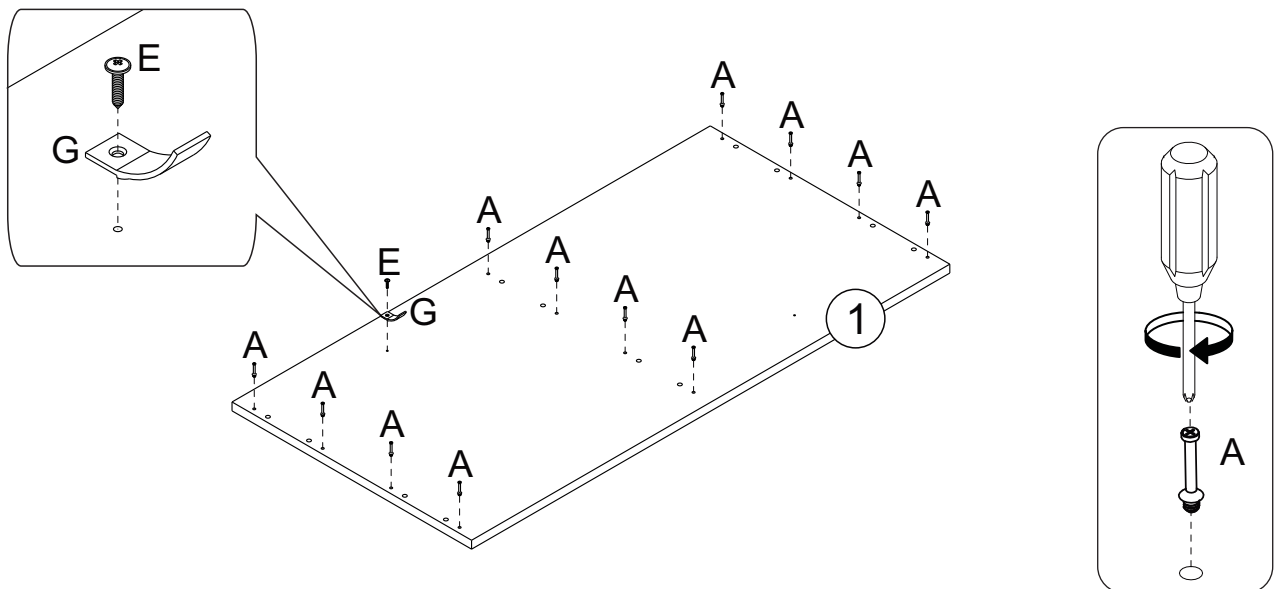
Step 1

Place Wood Dowel (F) in parts 2,3,4,5,8,10,11,13,14.



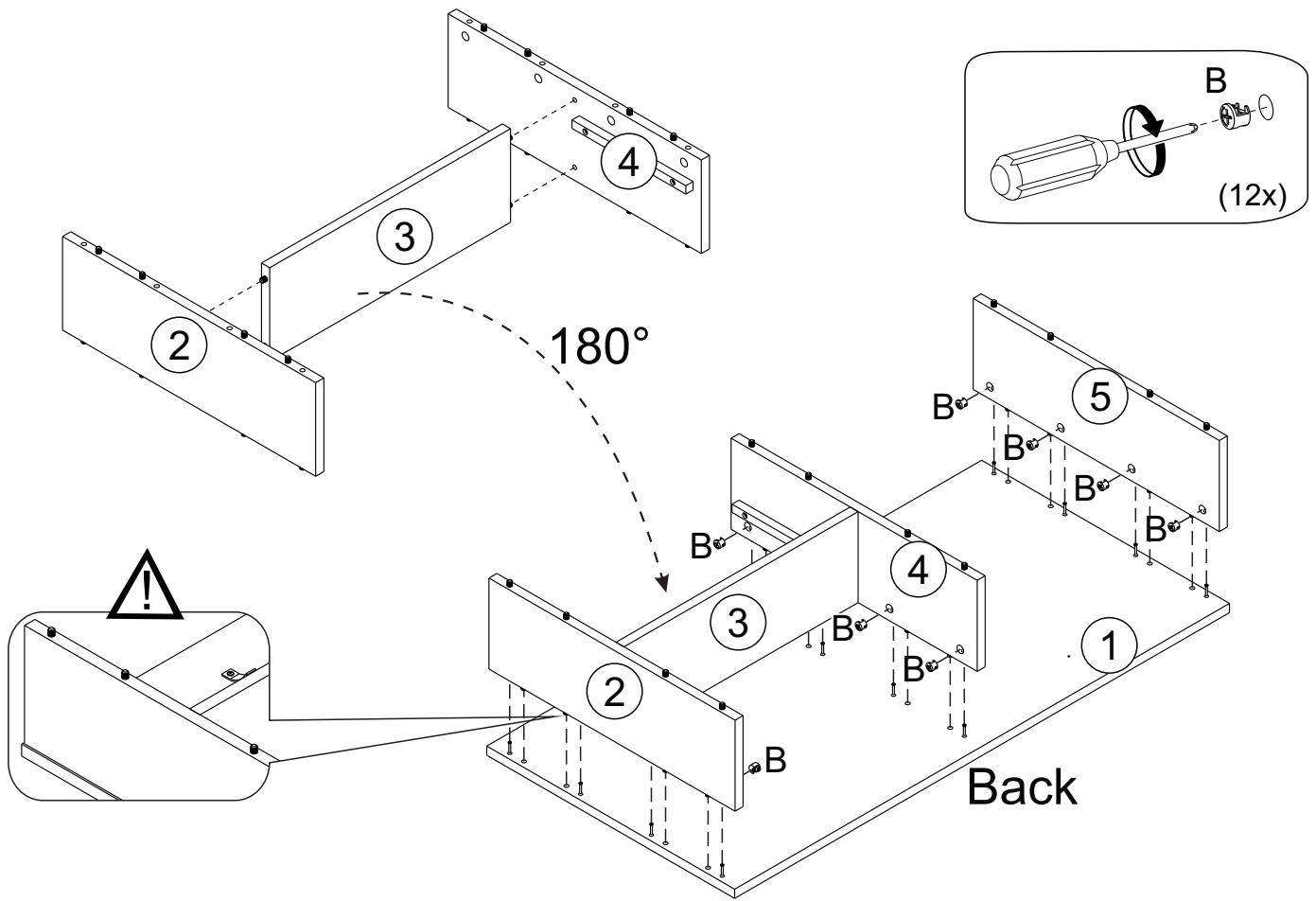
Step 2

Attach Cam Bolt (A) to Part 1. Use Screw (E) to attach Drawer Limiter (G) to Part 1.



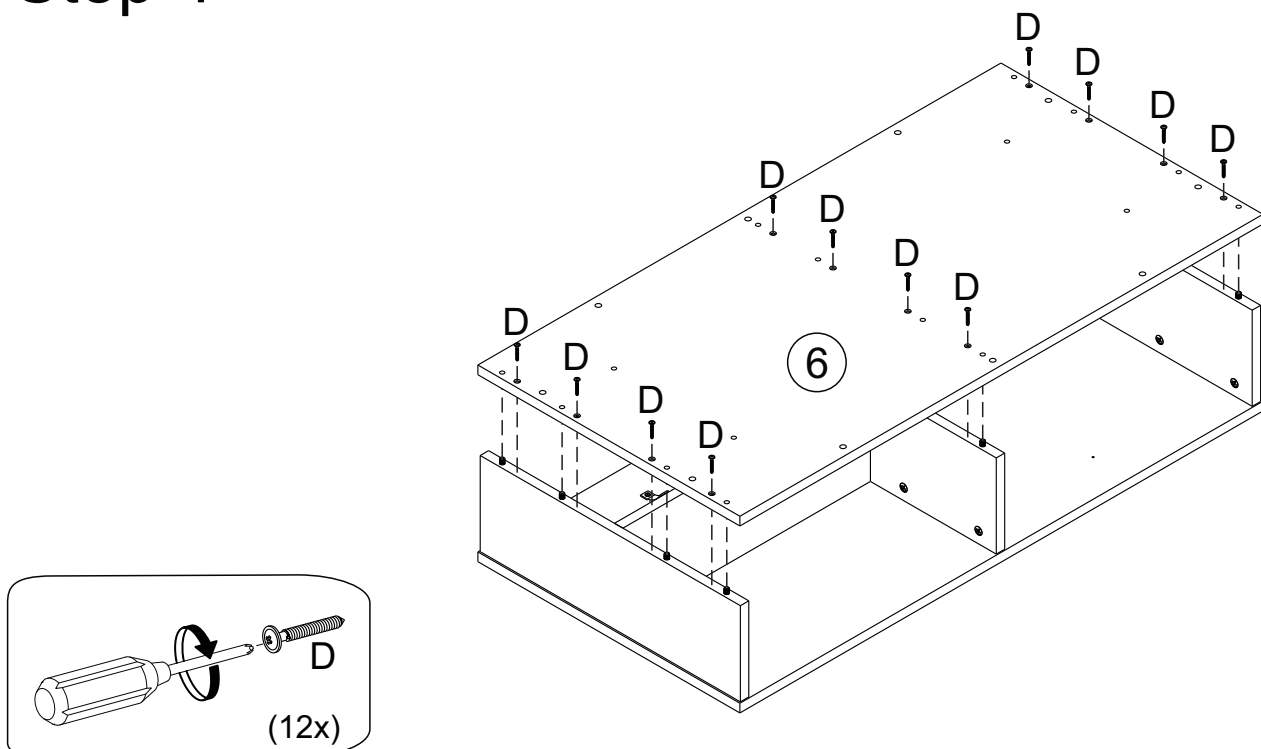
Step 3

Attach parts 2 and 4 using part 3. Turn upside down and use Cam Lock (B) to attach parts 2, 4, and 5 to part 1.



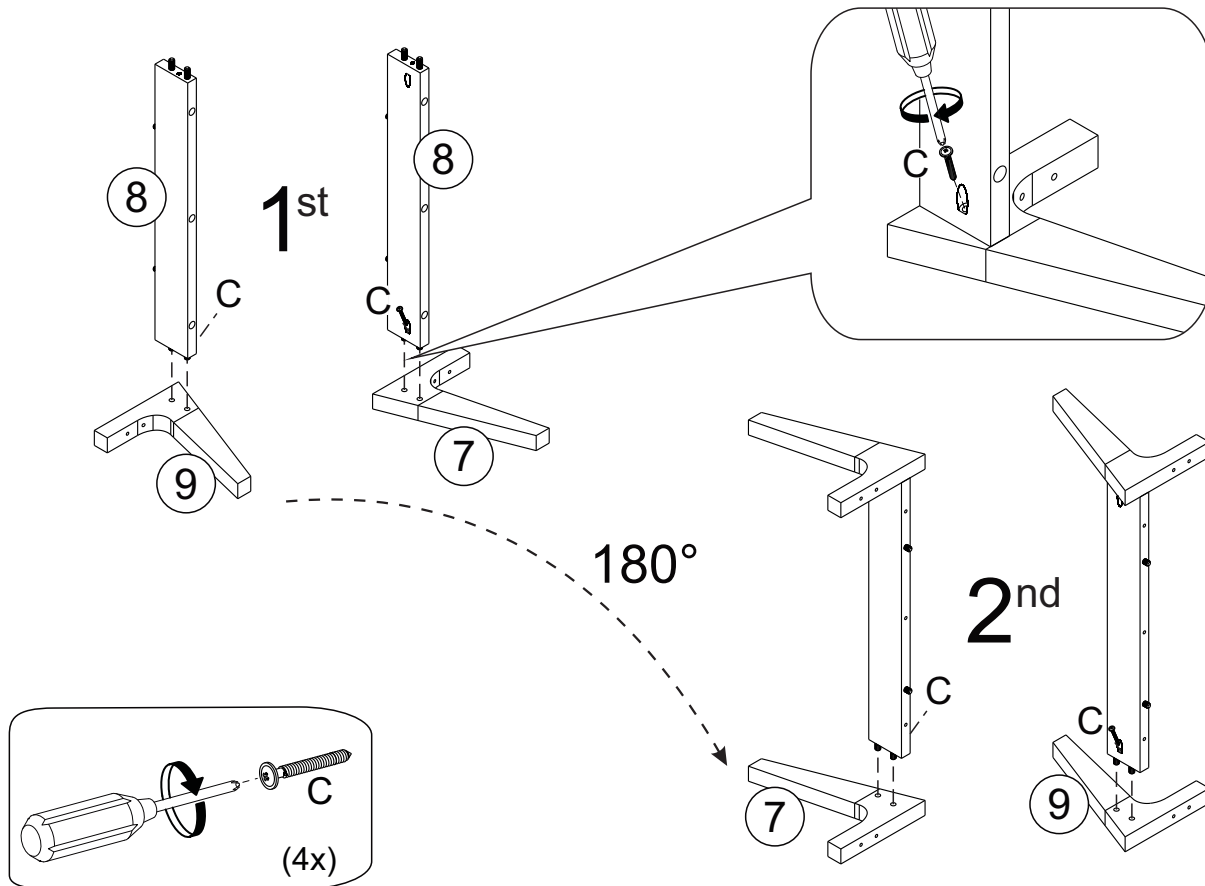
Step 4

Attach part 6 to the body using Screw (D).



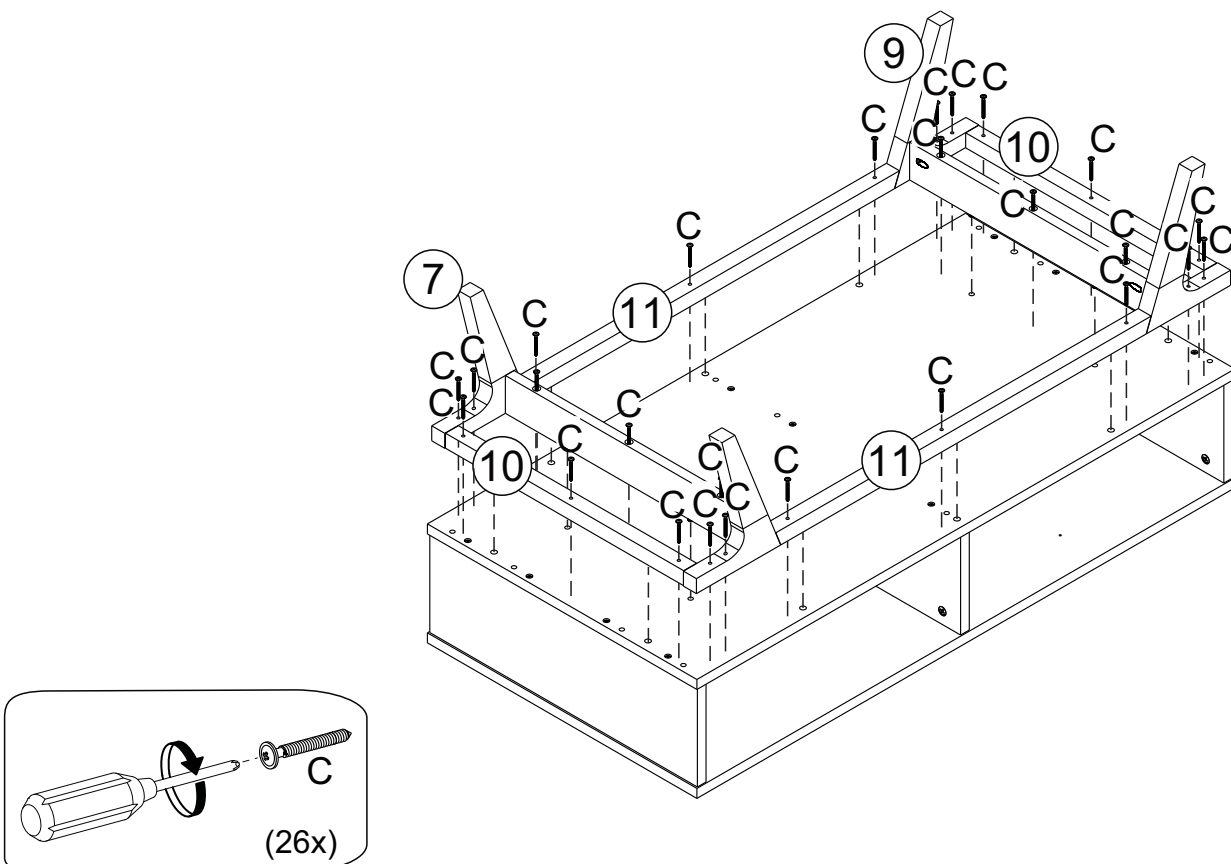
Step 5

Use Screw (C) to attach part 8 to part 9 and 7. Remember to reverse the parts and repeat.

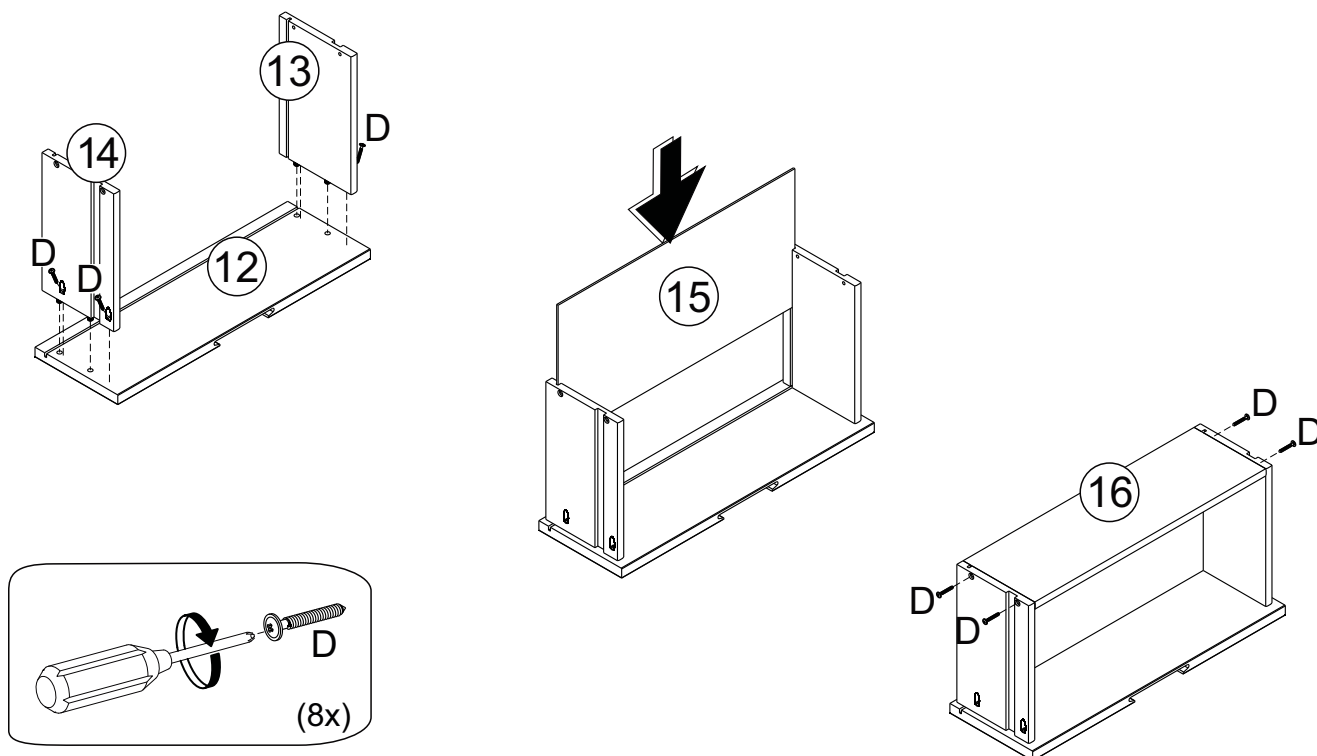


Step 6

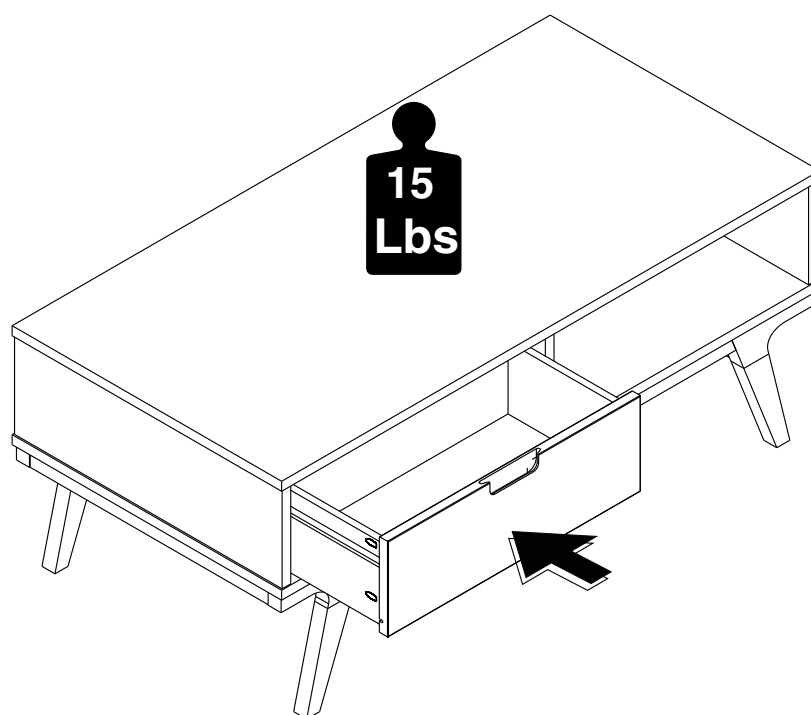
Attach Legs, parts 10 and 11 to the body using Screw (C).



Step 7 Attach parts 14 and 13 to part 12 using Screw (D). Insert part 15 into the drawer and attach part 16 to the drawer using Screw (D).



Step 8



Final Assembly