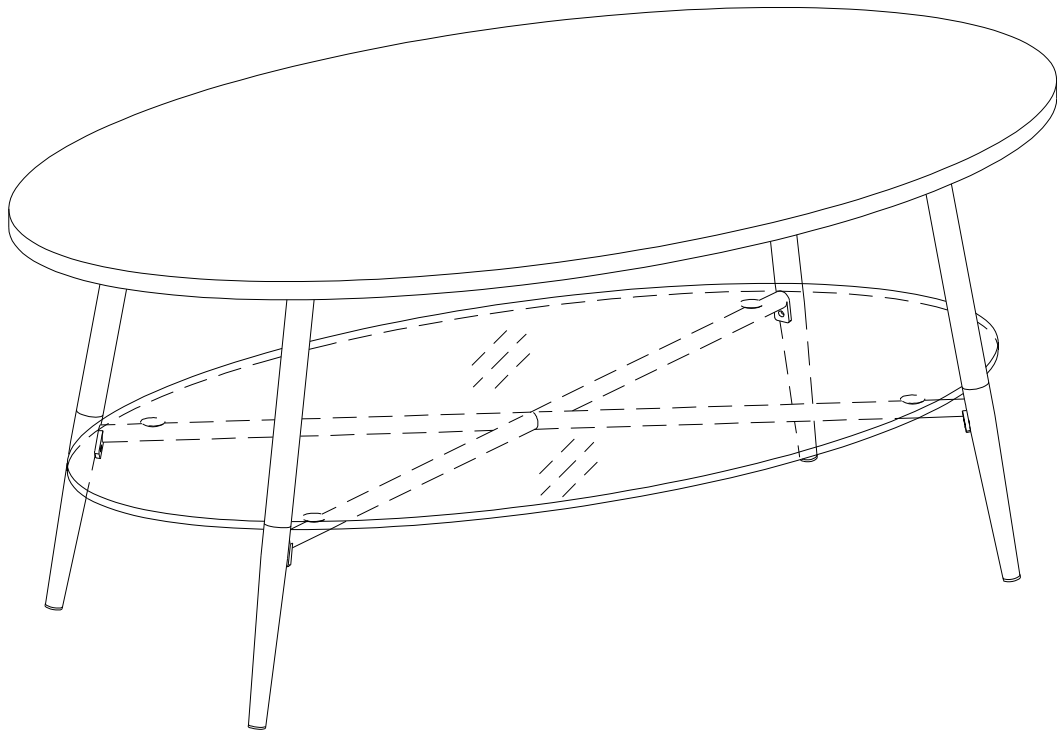


Item # : AF42TILOVCT Assembly Instructions



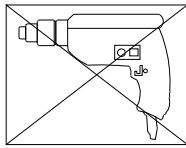
Walker Edison®

Please visit our website for the most current instructions, assembly tips, report damage, or request parts. www.walkeredison.com

Revised 23/10/2020(C)

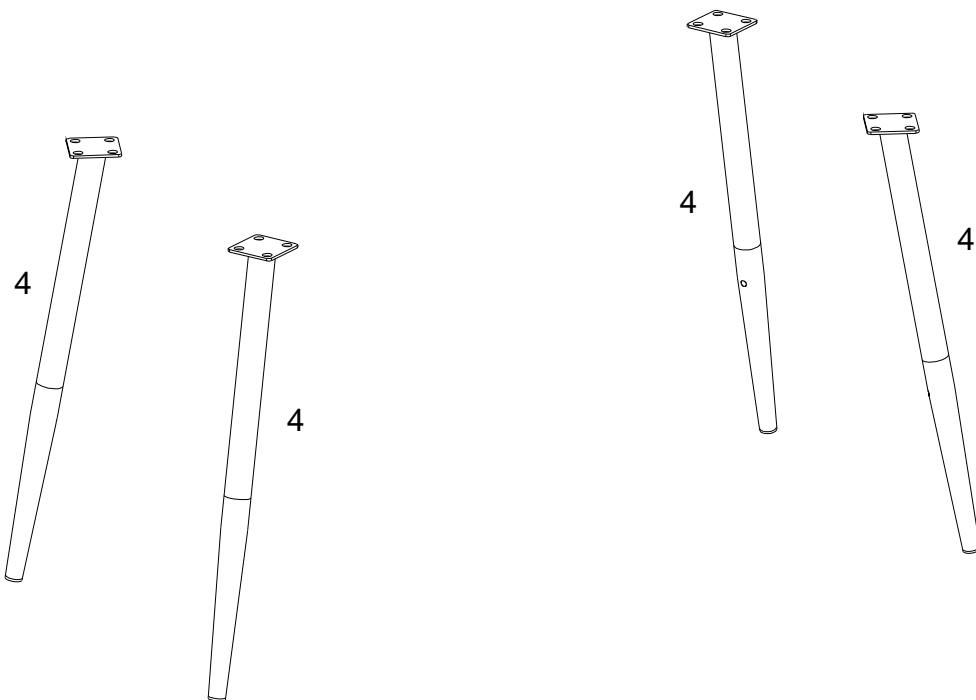
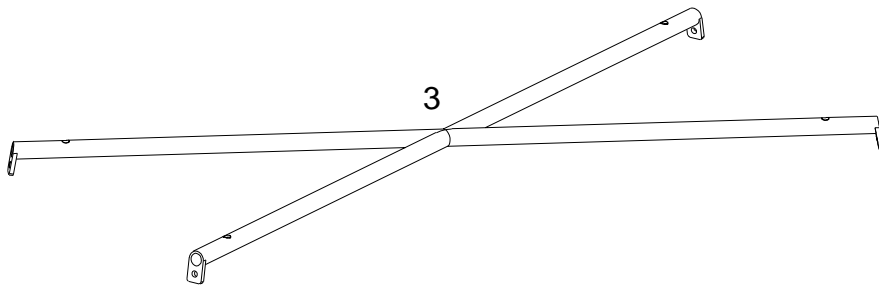
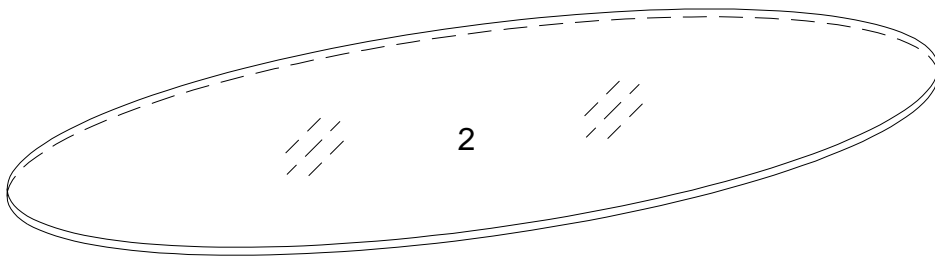
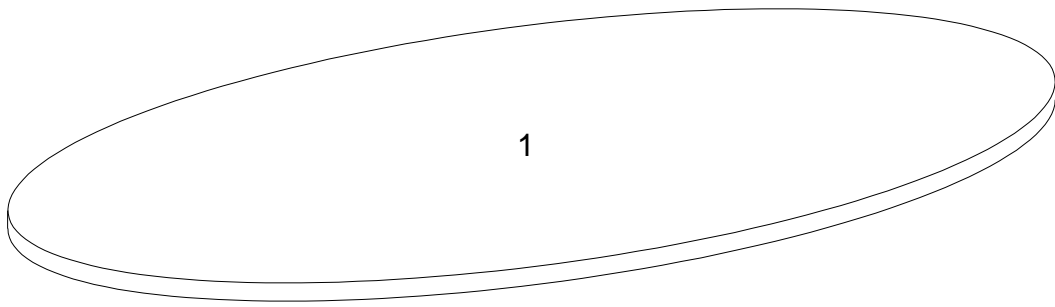
General Assembly Guidelines

- I. Ensure that all parts and hardware are available before beginning assembly.
- II. Follow each step carefully to ensure the proper assembly of this product.
- III. Two people are recommended for ease in the assembly of this product.
- IV. The main type of hardware used to assemble this product are: bolts and screws.
- V. Power tools should not be used to assemble this product.






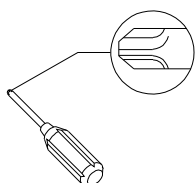
- VI. Drill may be needed for securing product to wall.

Parts List



Hardware List

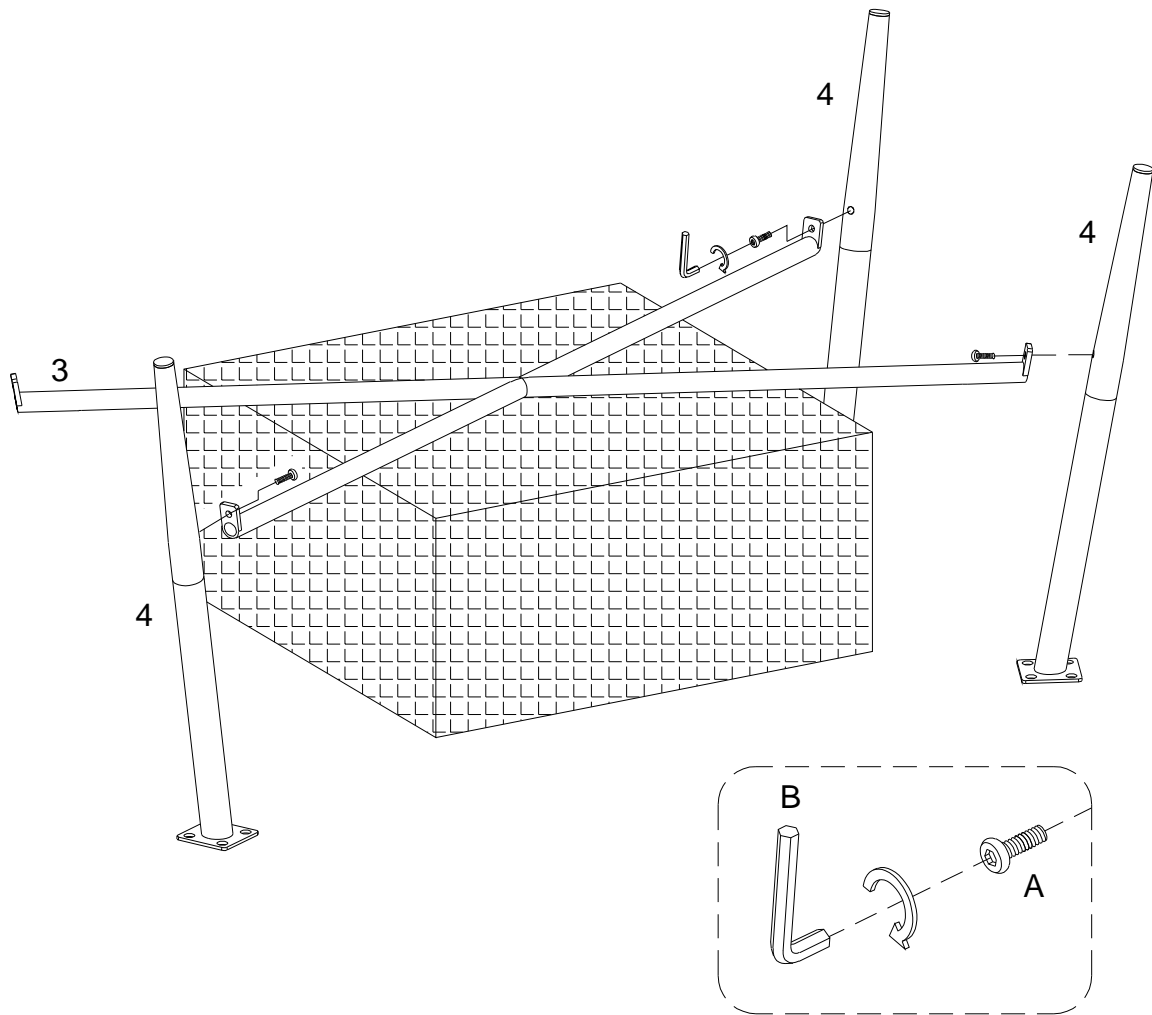
A		M6x15mm	Bolt	20	pcs
B		M 4	Hex key	1	pc
C			Rubber suction cups	4	pcs



Philips head screwdriver required for assembly
(not included)

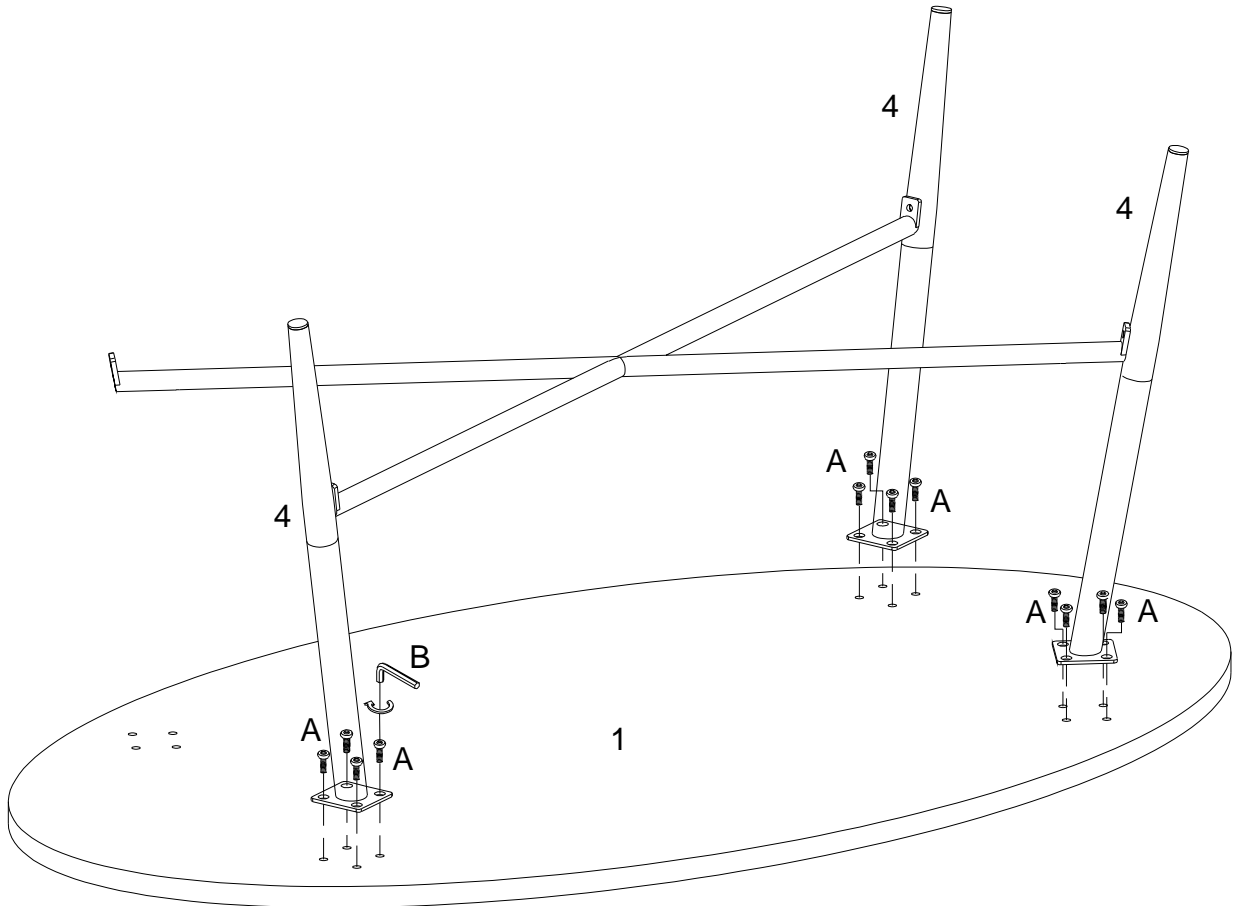
*The hardware quantities listed above are required for proper assembly.
Some extra hardware may also have been included.*

Step 1



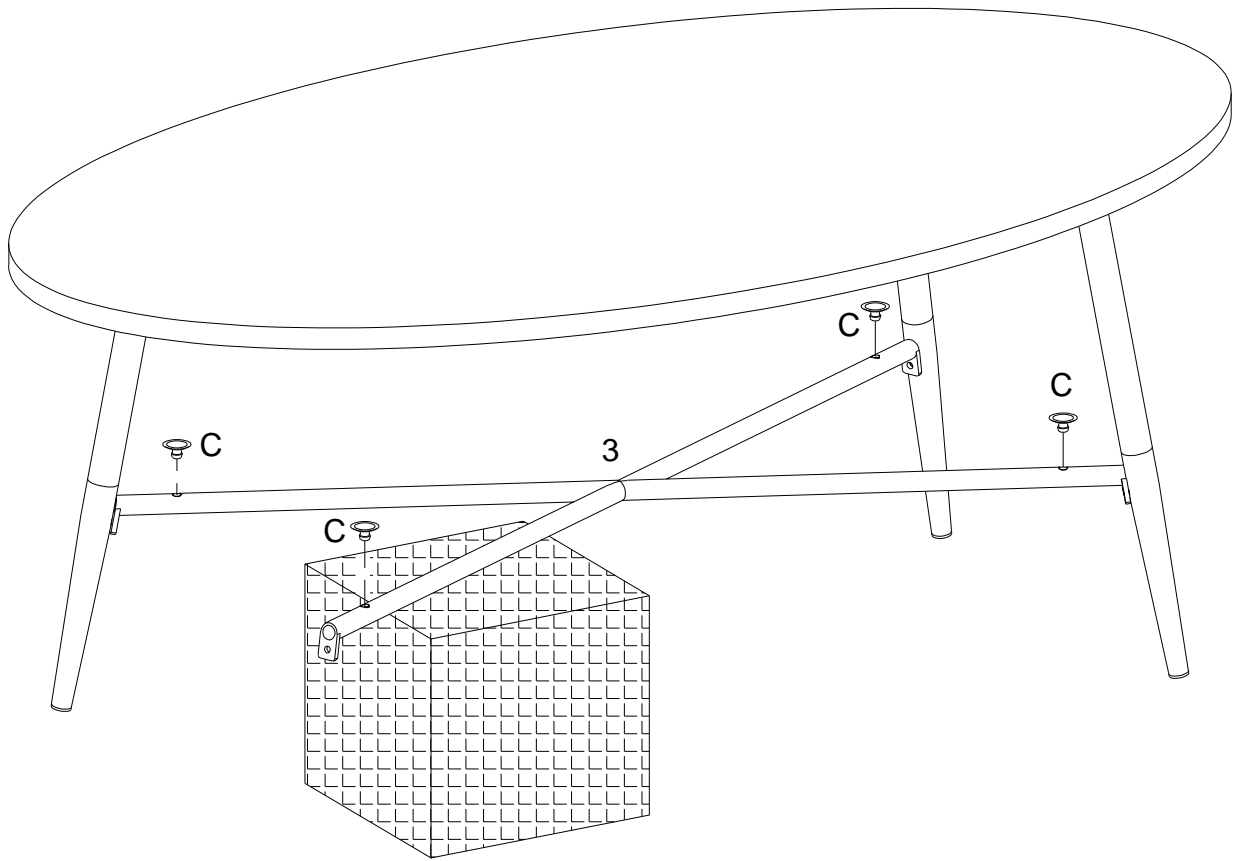
Using bolt (A) attach part (3) to part (4) with Hex key (B) as per diagram.
Note: Please do not fully tighten all bolts at this step .

Step 2



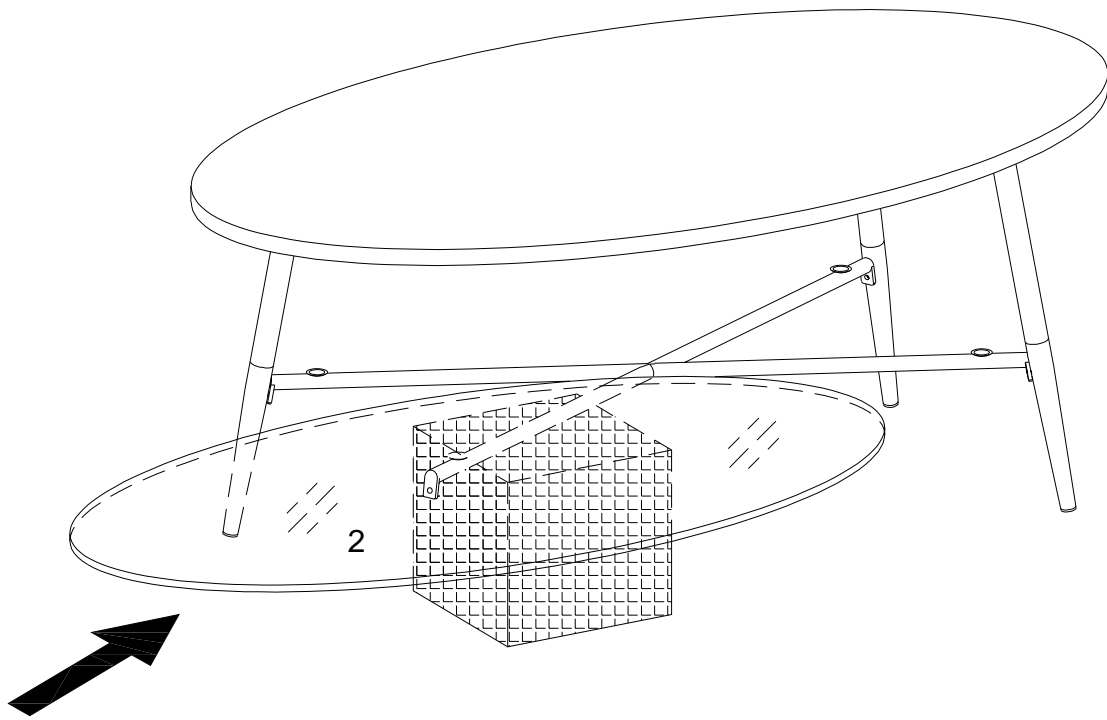
Using bolt (A) attach part (4) to part (1) with Hex key (B) as per diagram.
Note: Please do not fully tighten all bolts at this step .

Step 3



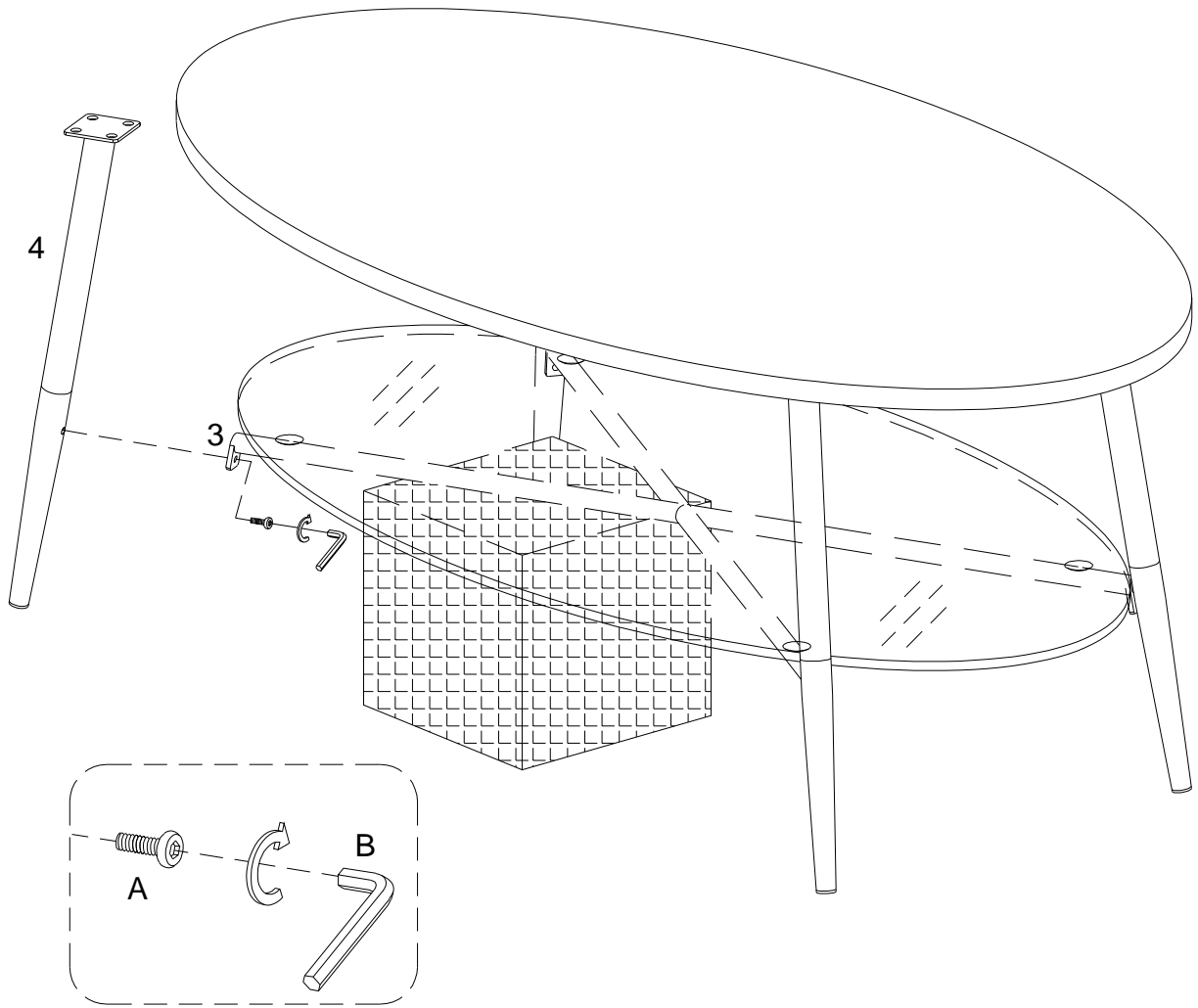
Insert Rubber suction cups (C) into part (3) as per diagram.

Step 4



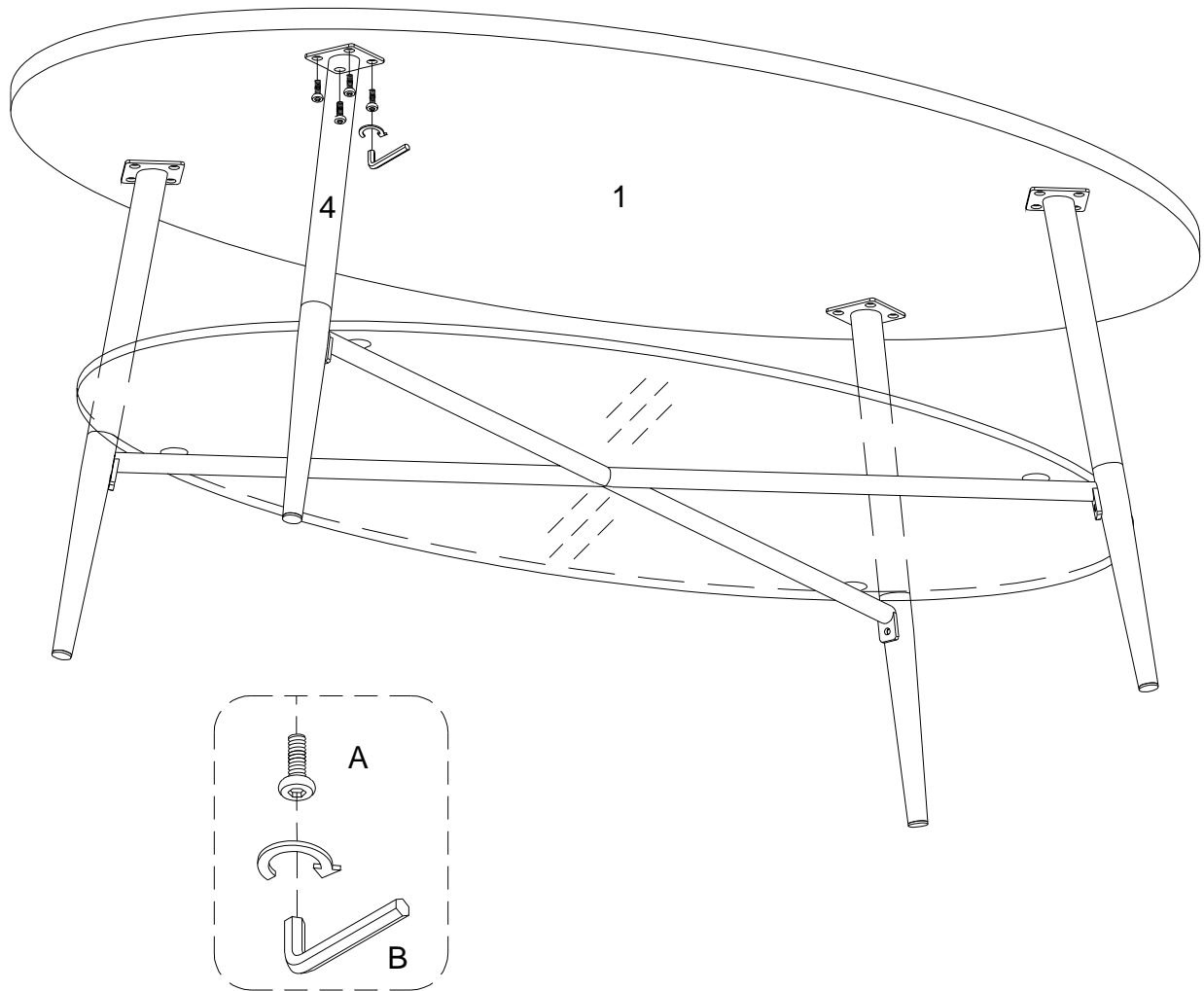
Place part (2) on the top of part (3) carefully as per diagram.

Step 5



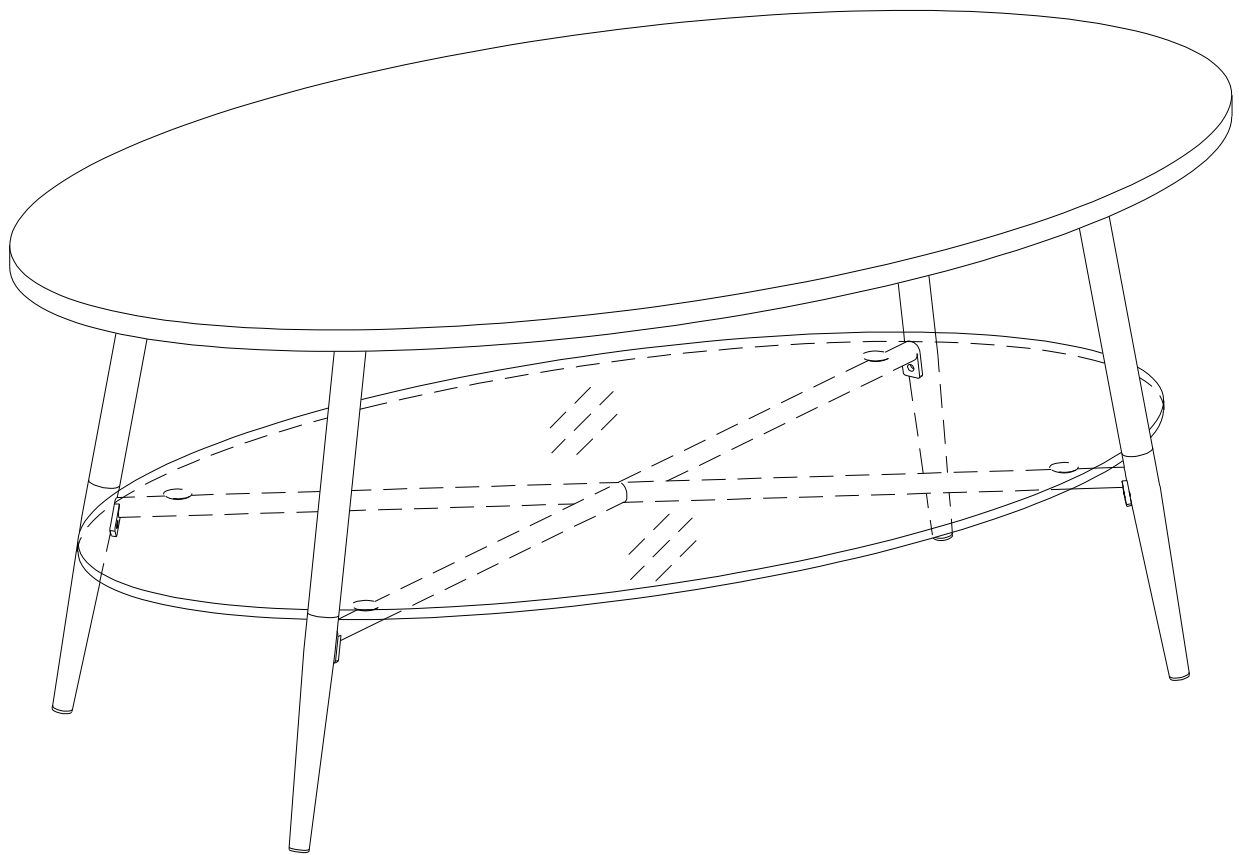
Using bolt (A) attach part (3) to part (4) with Hex key (B) as per diagram.
Note: Please do not fully tighten all bolts at this step .

Step 6



Using bolt (A) attach part (4) to part (1) with Hex key (B) as per diagram.
Note: Fully tighten all bolts at this step .

Step 7



Final Assembly