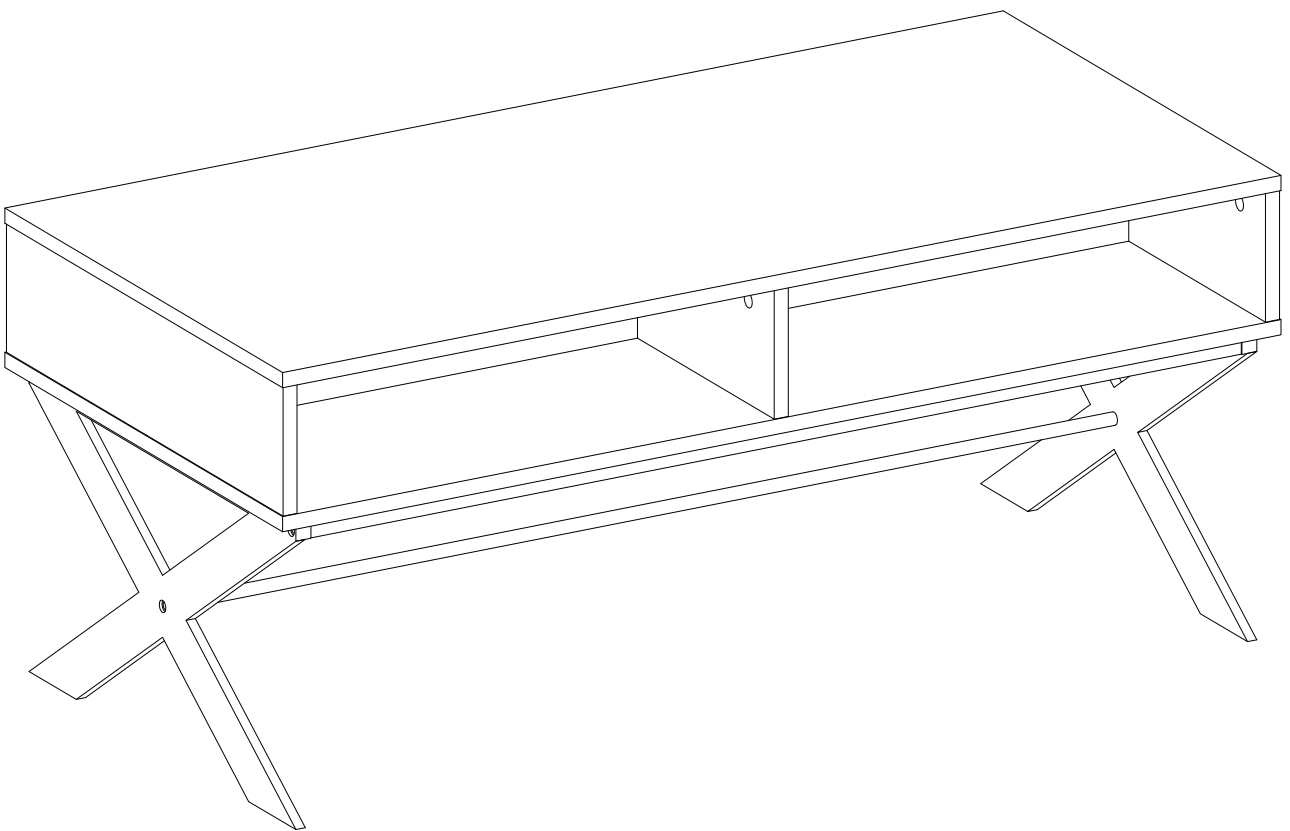


# Item # : AF42BRICT

## Assembly Instructions



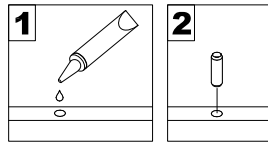
Walker Edison®

Please visit our website for the most current instructions, assembly tips, report damage, or request parts. [www.walkeredison.com](http://www.walkeredison.com)

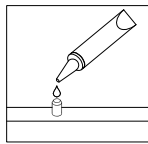
Revised 20/11/2019(C)

# General Assembly Guidelines

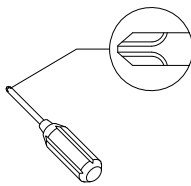
- I. Ensure that all parts and hardware are available before beginning assembly.
- II. Follow each step carefully to ensure the proper assembly of this product.
- III. Two people are recommended for ease in the assembly of this product.
- IV. The three main types of hardware used to assemble this product are: wood dowels, screws and bolts.
- V. The provided glue is to secure wood dowels in place. When first inserting dowels, locate the appropriate hole for the dowel, place a small amount of glue in the hole and insert the dowel. Wipe away excess glue immediately.



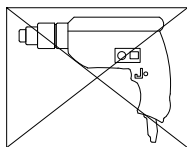
In future assembly steps when dowels are necessary to attach assembly parts together, place a small amount of glue on the end of the dowel before attaching parts together. Wipe away excess glue immediately.



- VI. A Phillips head screwdriver is required for the assembly of this product .

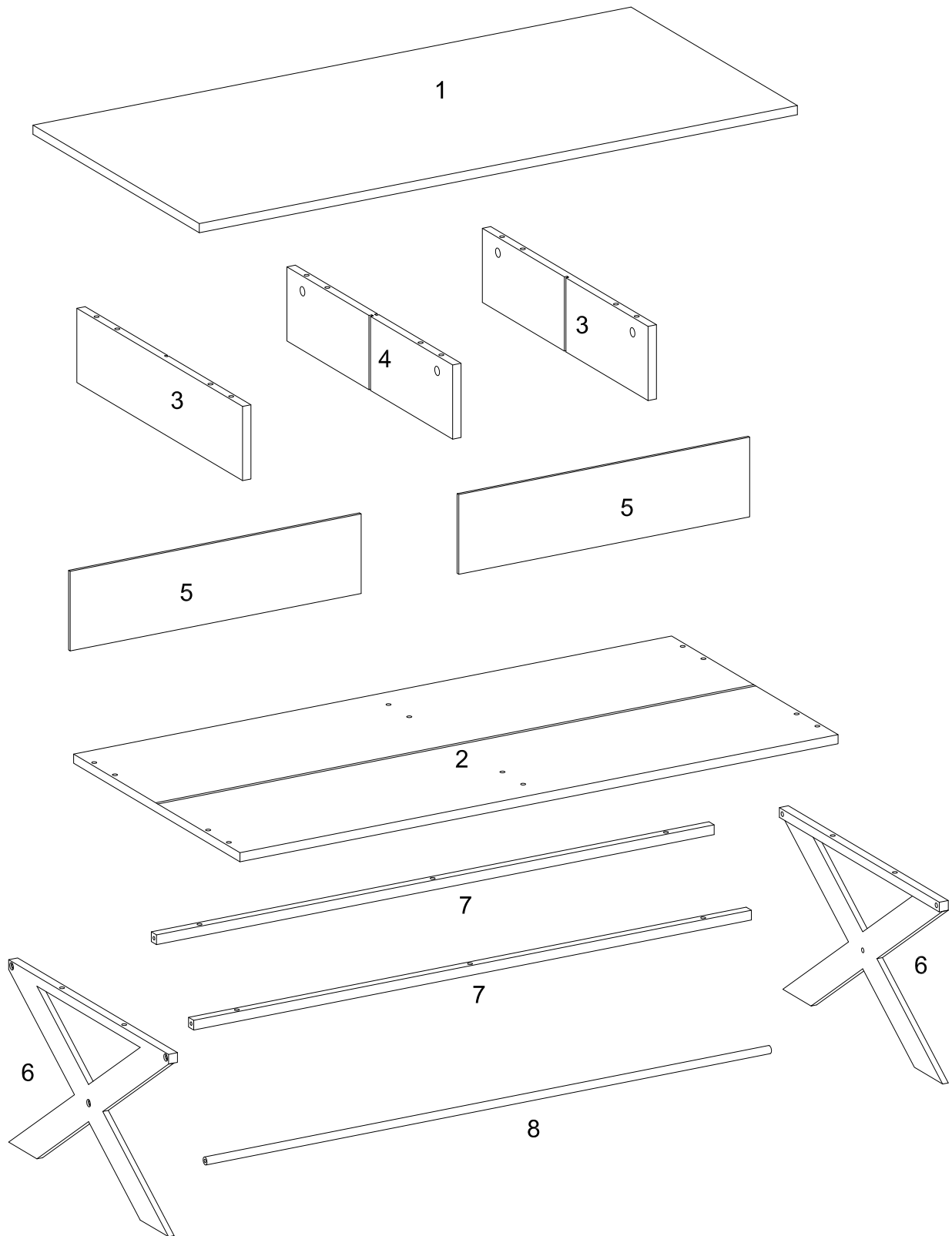


- VII. Power tools should not be used to assemble this product.



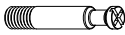
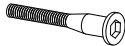



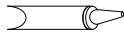


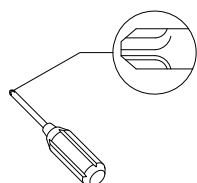
- VIII. Drill may be needed for securing product to wall.

# Parts List



# Hardware List

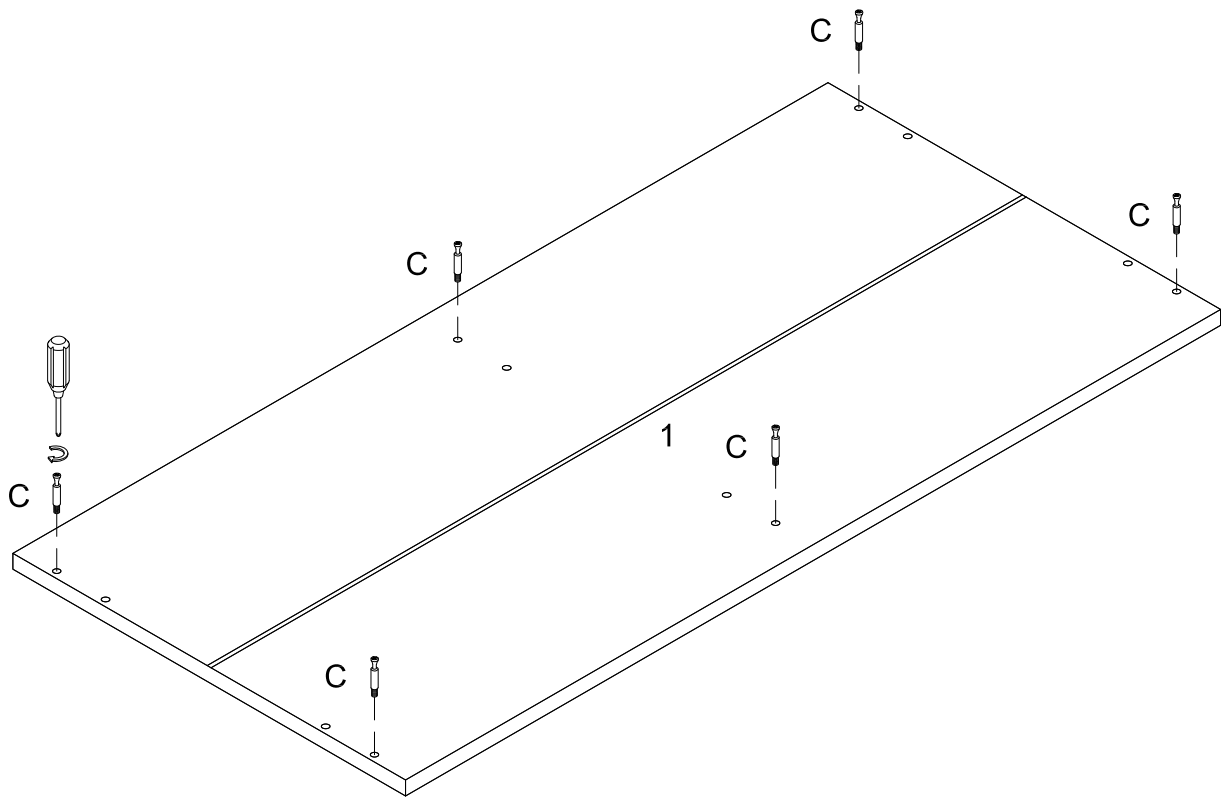
A		Ø8x30mm	Wooden dowel	12 pcs
B		Ø15x11mm	Cam lock	6 pcs
C		Ø6x35mm	Cam bolt	6 pcs
D		Ø6x50mm	Screw	6 pcs
E		Ø6x25mm	Bolt	16 pcs
F		M 4	Hex Key	1 pc
G		Ø30mm	Sticker	6 pcs
H			Glue tube	1 pc



Philips head screwdriver required for assembly  
(not included)

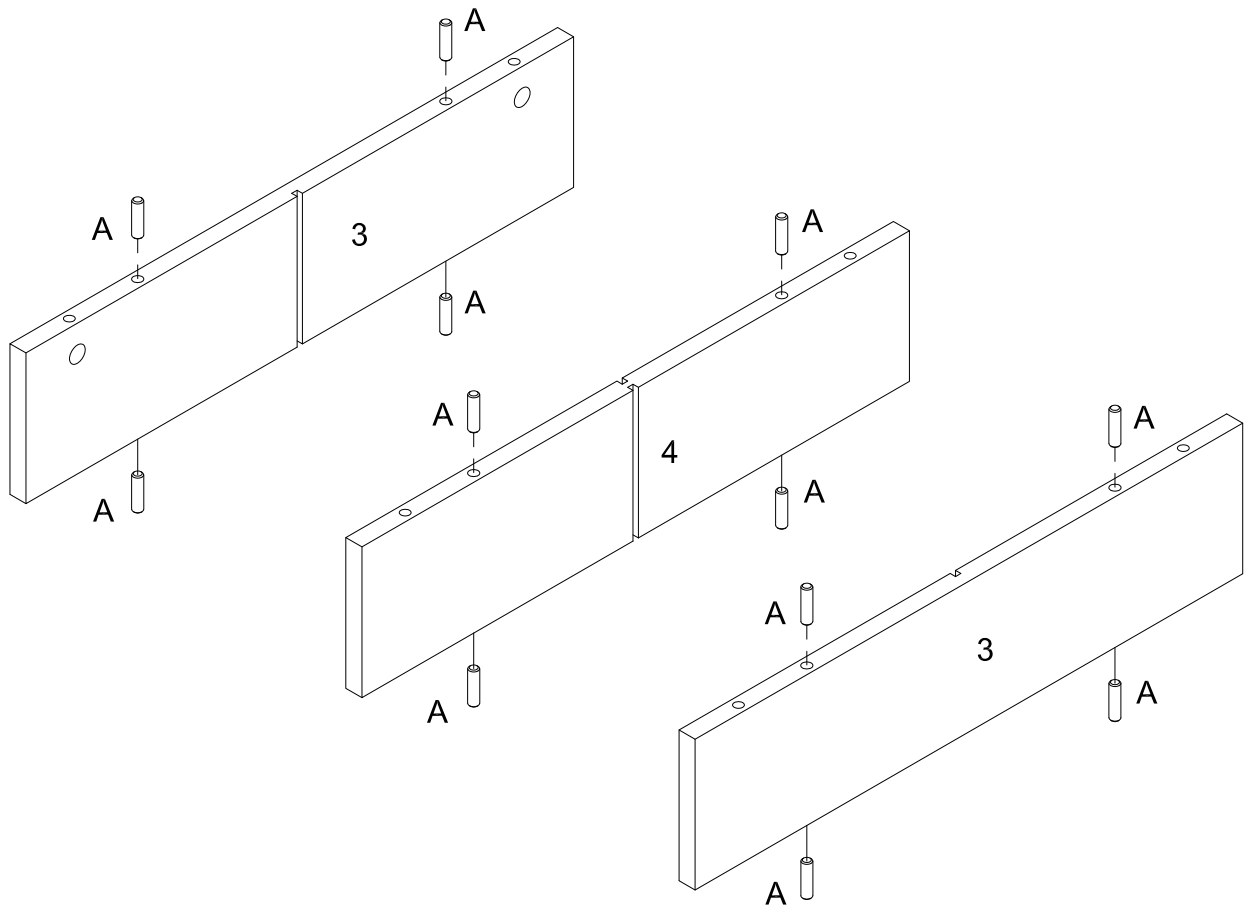
*The hardware quantities listed above are required for proper assembly.  
Some extra hardware may also have been included.*

# Step 1



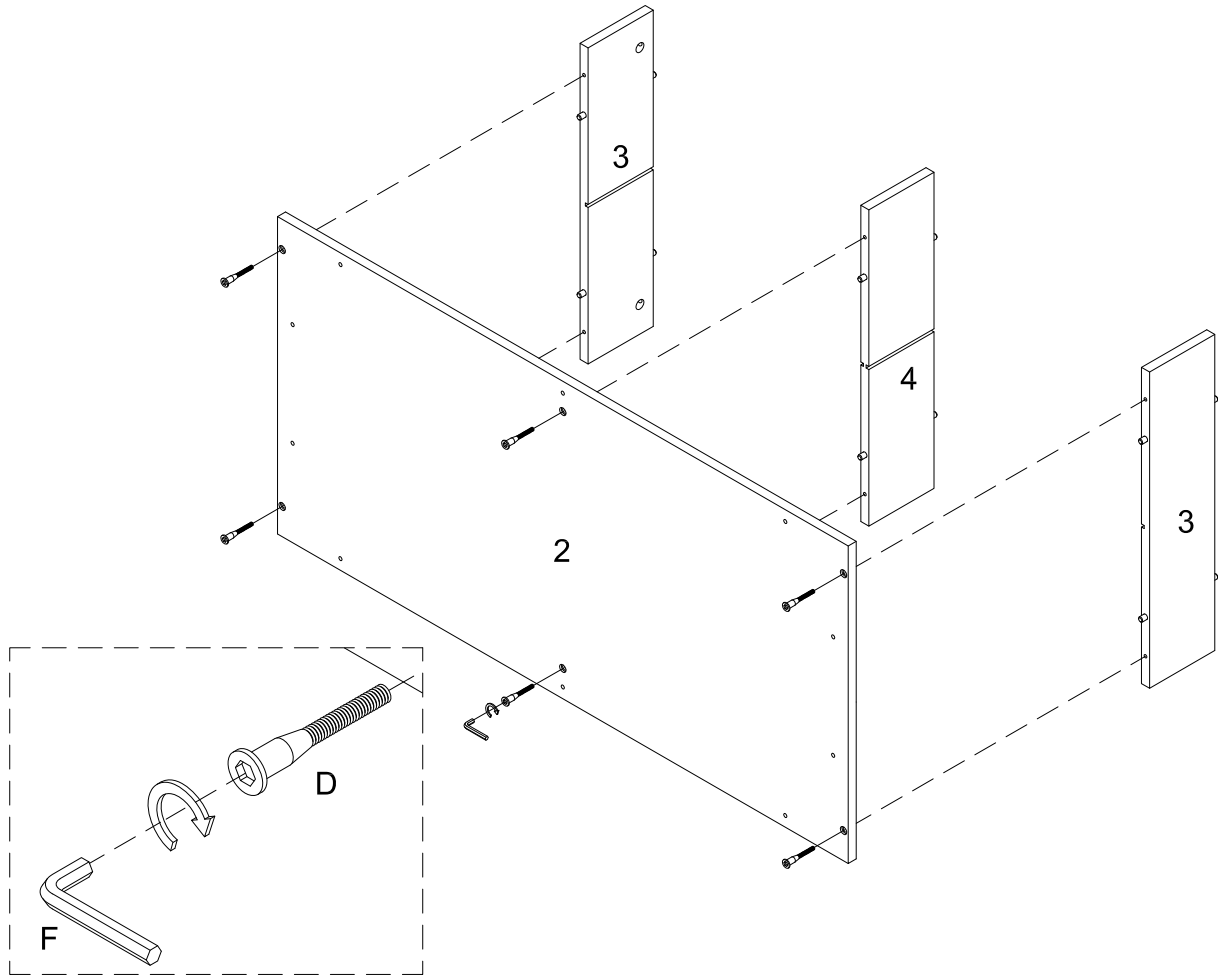
Secure cam bolt(C) into part (1) with Philips head screwdriver as per diagram.

# Step 2



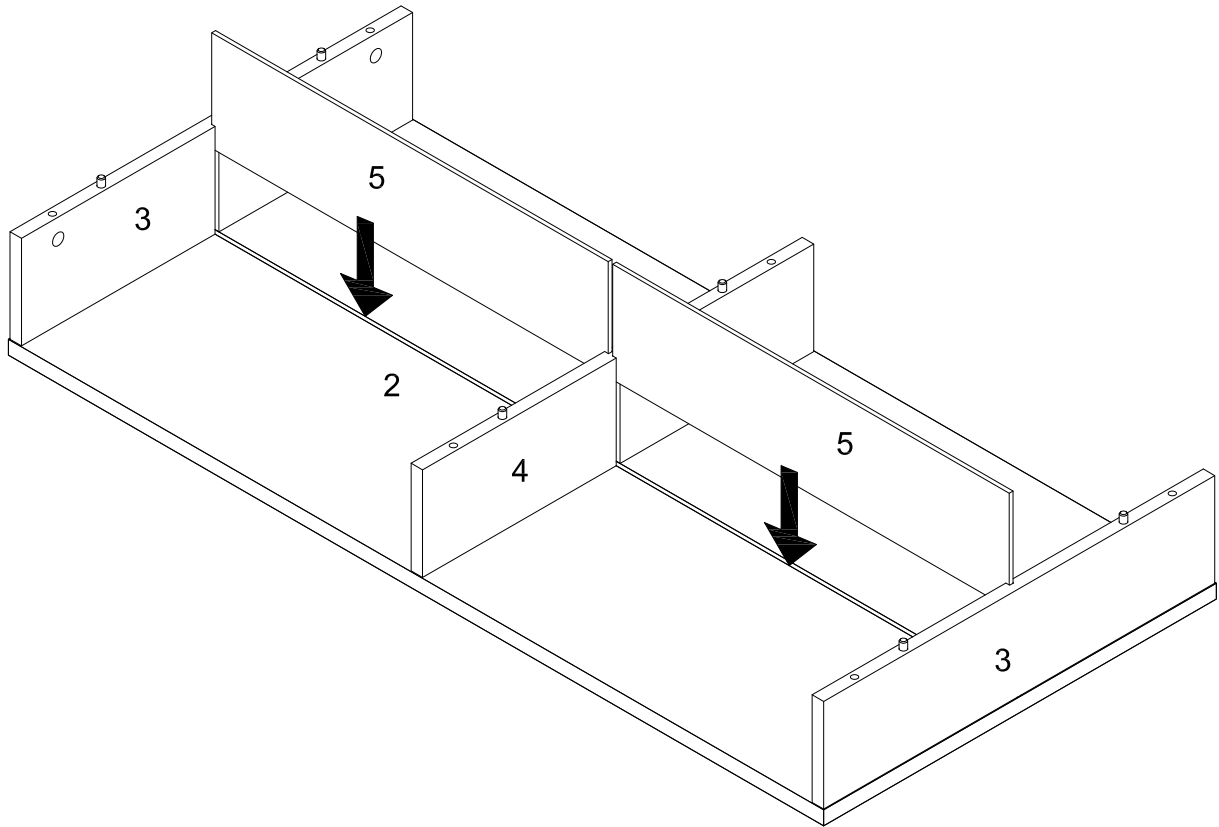
Insert wooden dowel (A) into parts (3,4) as per diagram.

# Step 3



Using screw (D) attach parts (3,4) into part (2) with hex key (F) as per diagram.

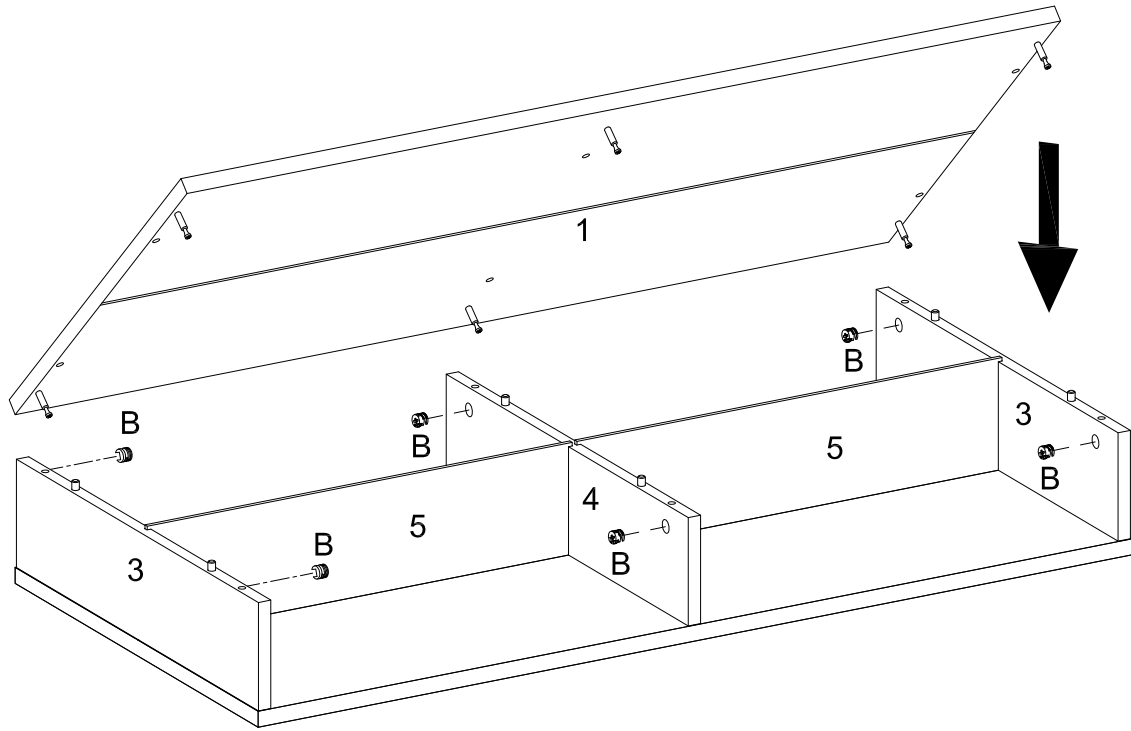
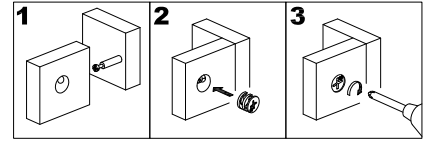
# Step 4



Put part (5) into parts (2,3,4) as per diagram.

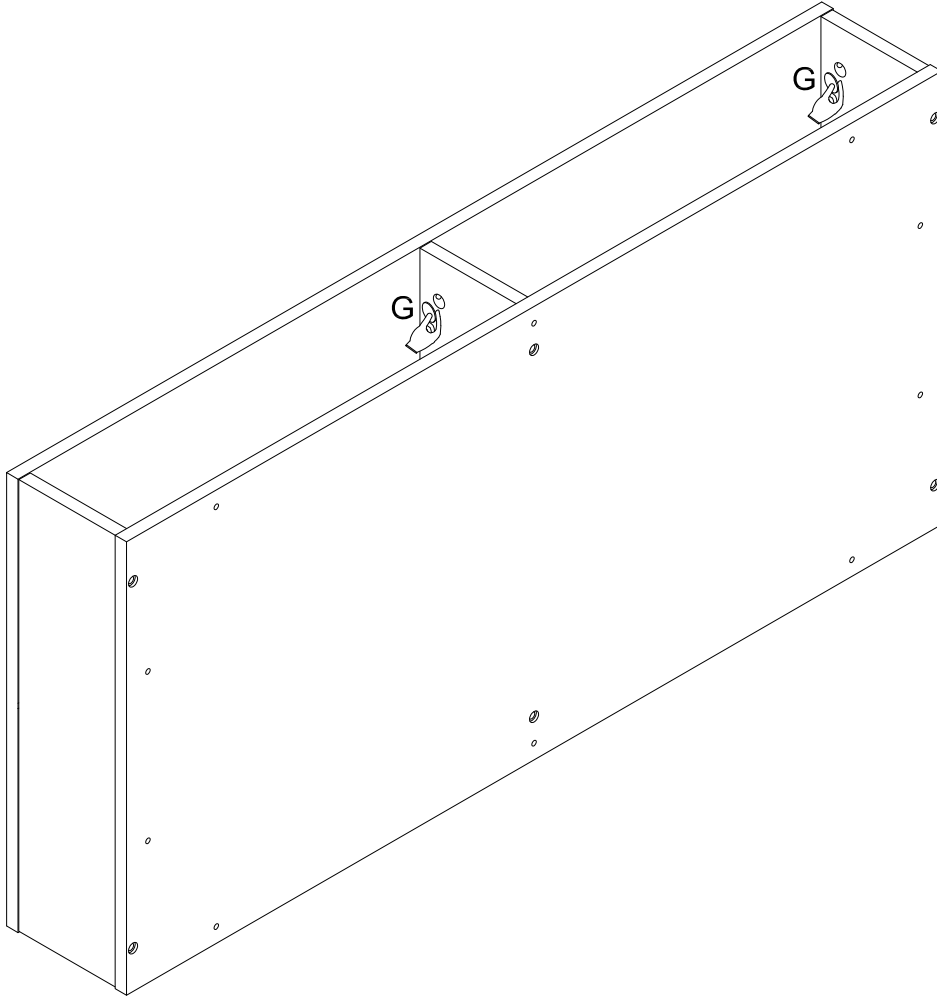


# Step 5



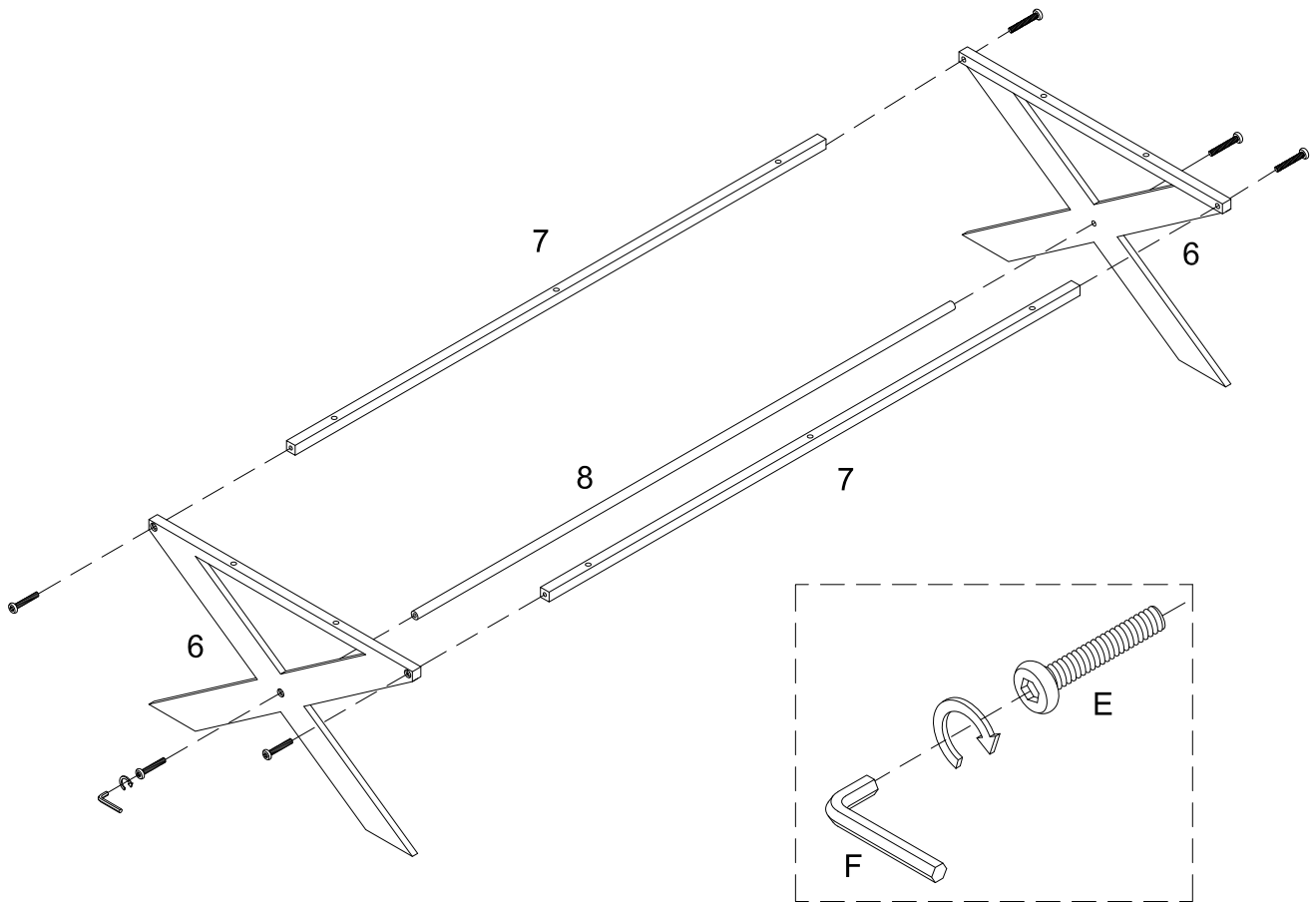
Using cam lock(B) secure part (1) to parts (3,4) with Philips head screwdriver as per diagram.

# Step 6



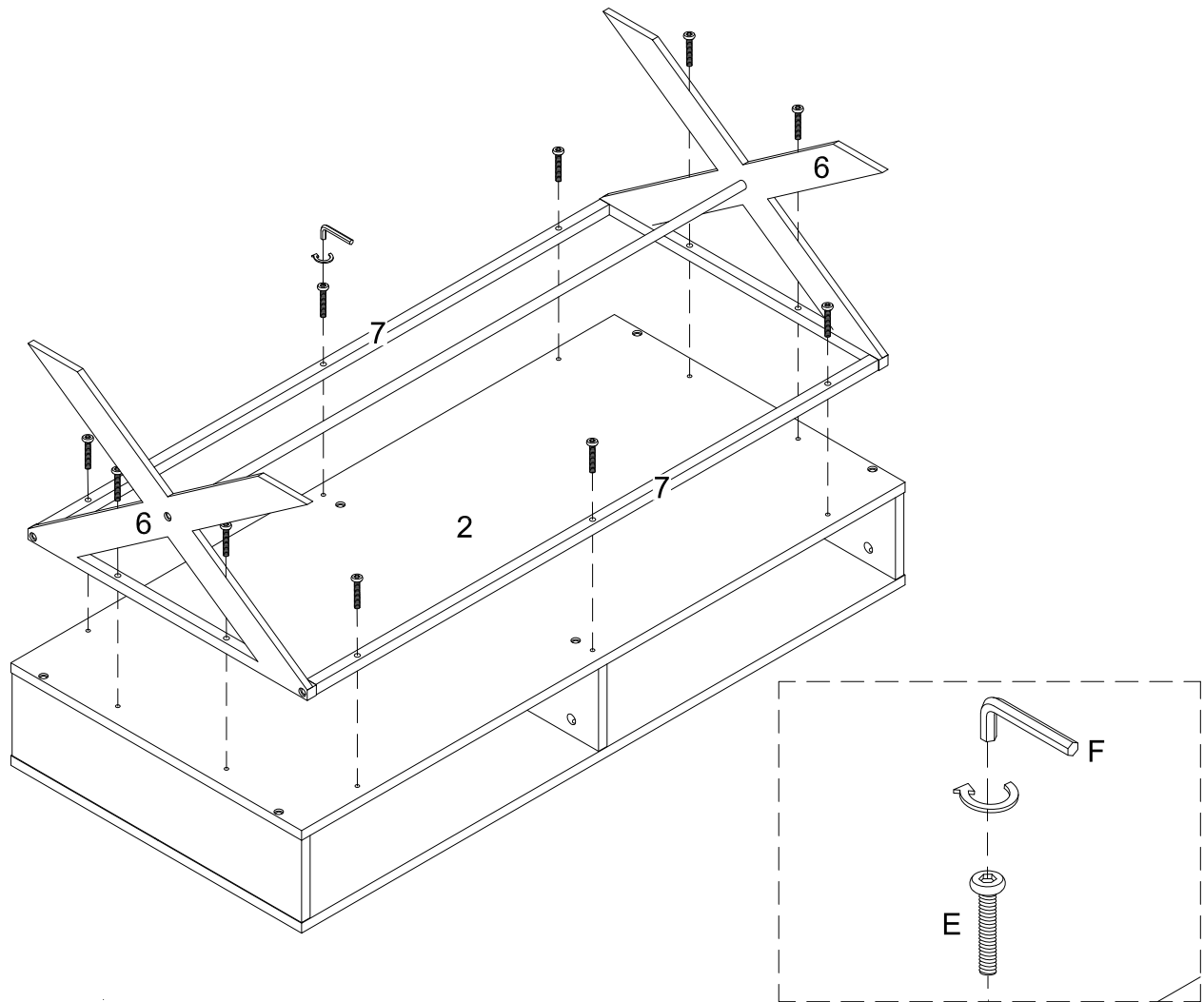
Place sticker (G) cover the holes as per diagram .

# Step 7



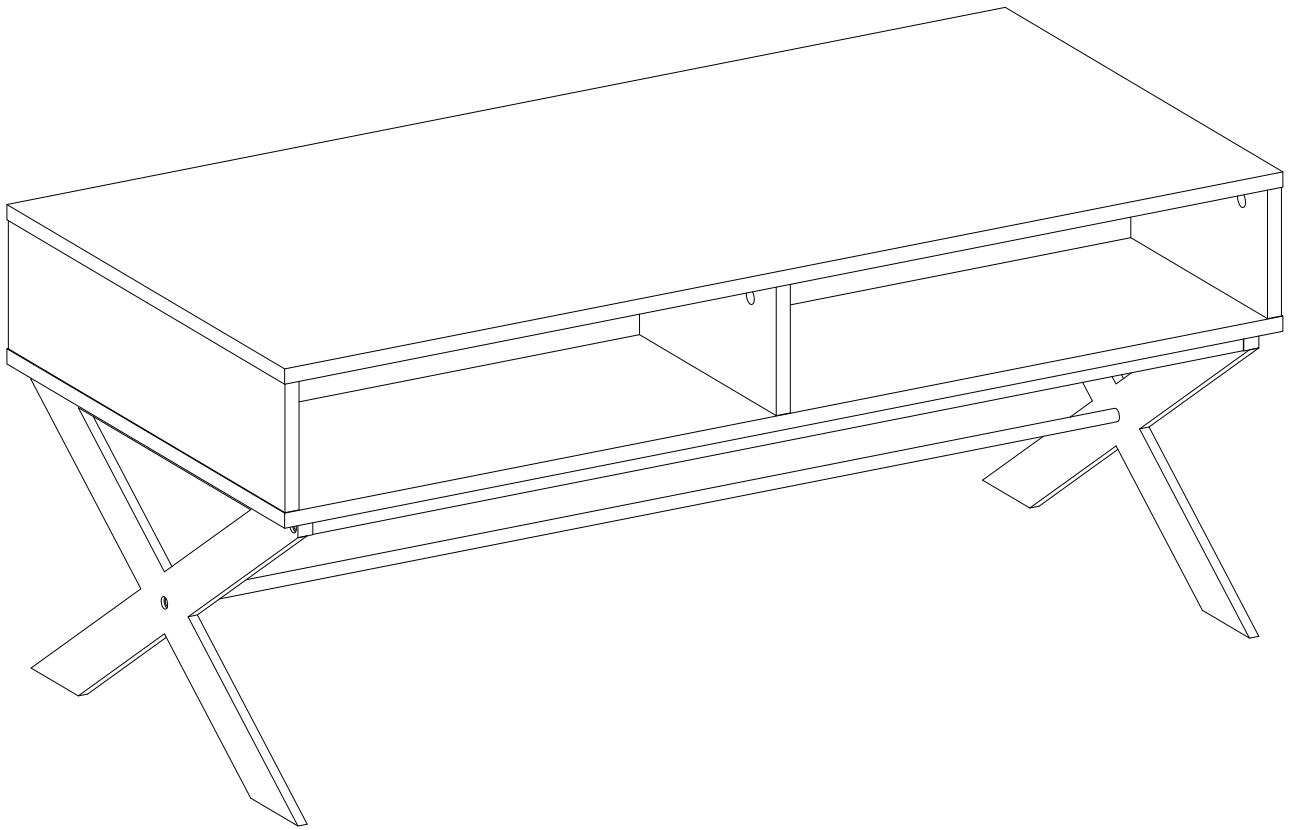
Using bolt (E) attach parts (7,8) to part (6) with hex key (F) as per diagram.  
Do not fully tighten all the bolts.

# Step 8



Using bolt (E) attach parts (6,7) to part (2) with hex key (F) as per diagram.  
Fully tighten all the bolts.

# Step 9



## Final Assembly