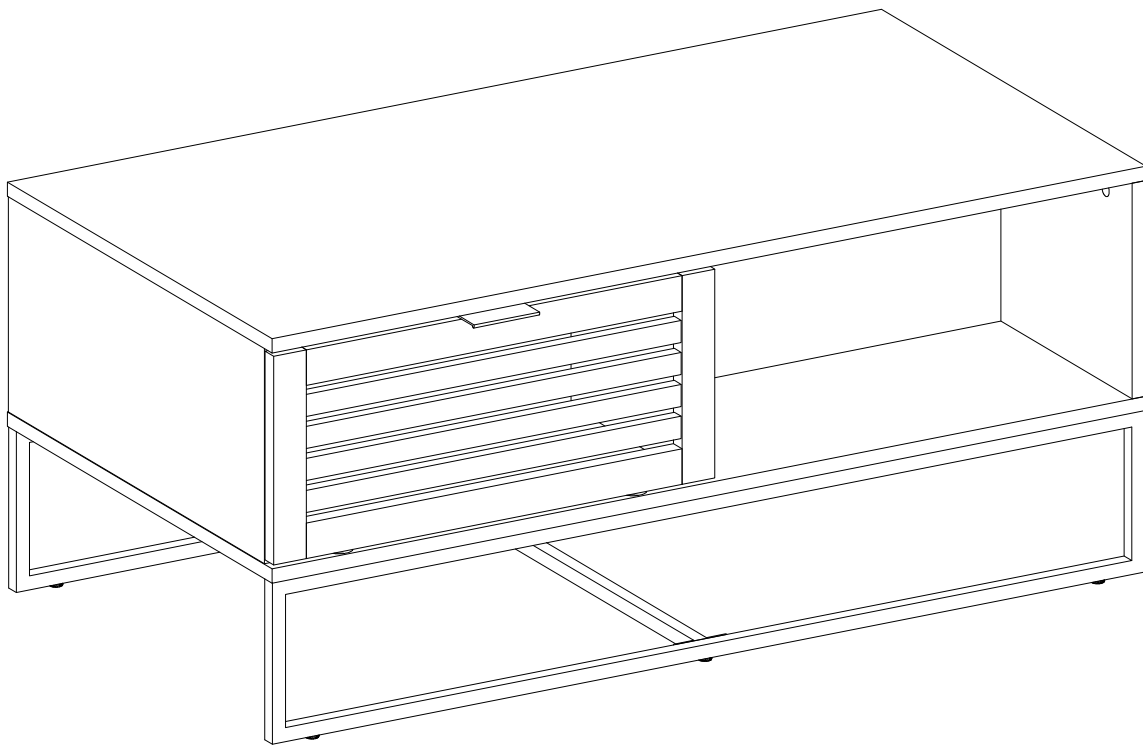


Item # : AF42JACCT

Assembly Instructions



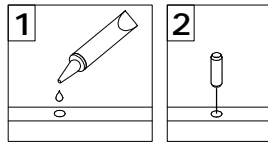
Walker Edison®

Please visit our website for the most current instructions, assembly tips, report damage, or request parts. www.walkeredison.com

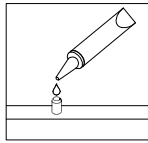
Revised 09/07/2019 (E)

General Assembly Guidelines

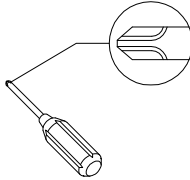
- I. Ensure that all parts and hardware are available before beginning assembly.
- II. Follow each step carefully to ensure the proper assembly of this product.
- III. Two people are recommended for ease in the assembly of this product.
- IV. The three main types of hardware used to assemble this product are : wood dowels , screws and bolts.
- V. The provided glue is to secure wood dowels in place . When first inserting dowels , locate the appropriate hole for the dowel , place a small amount of glue in the hole and insert the dowel . Wipe away excess glue immediately.



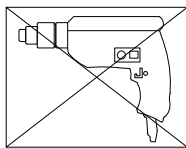
In future assembly steps when dowels are necessary to attach assembly parts together , place a small amount of glue on the end of the dowel before attaching parts together . Wipe away excess glue immediately.



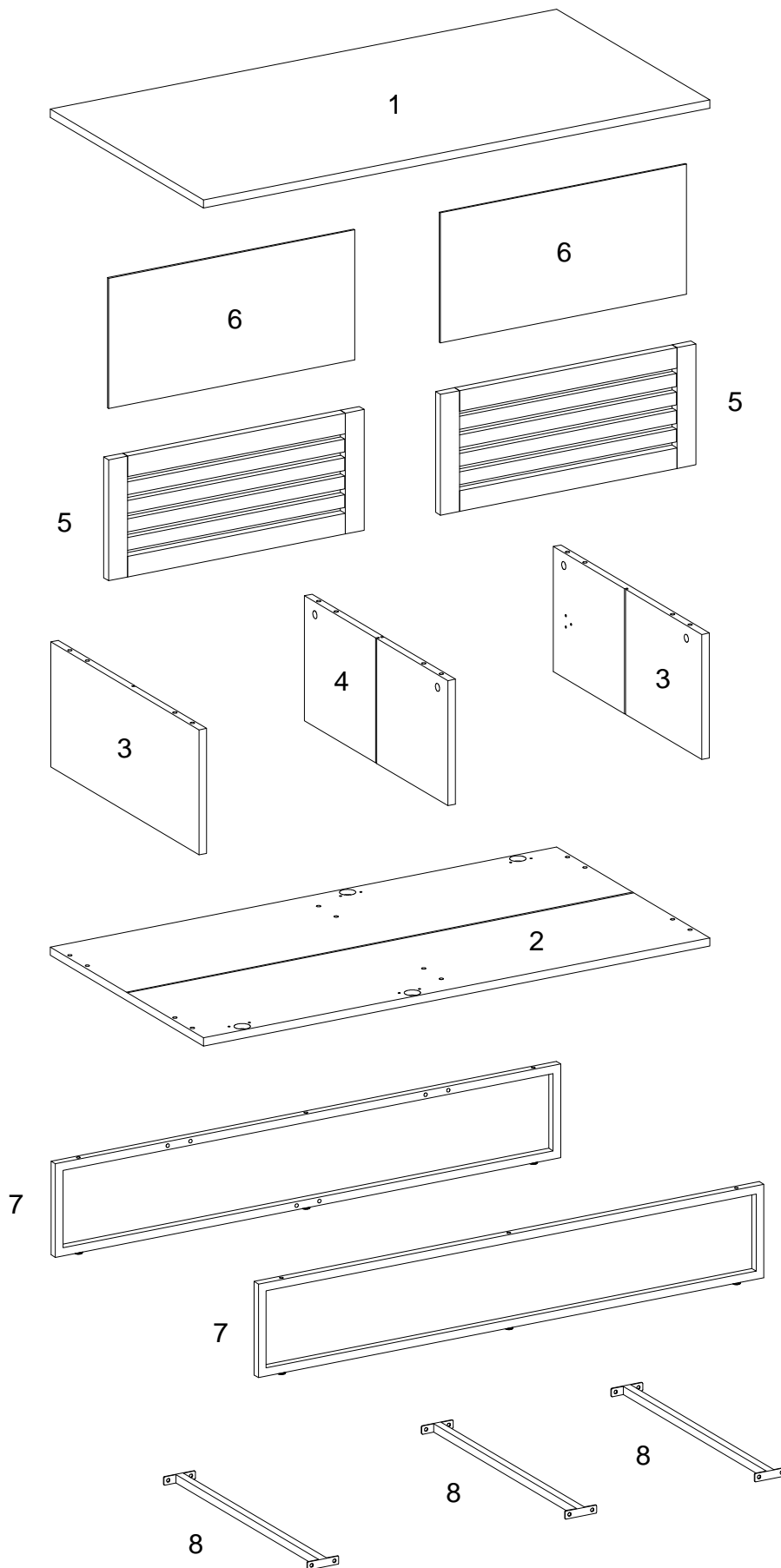
- VI. A Phillips head screwdriver is required for the assembly of this product .




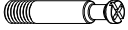


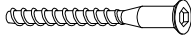
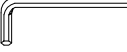



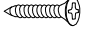
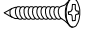

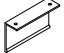

- VI. Power tools should not be used to assemble this product .

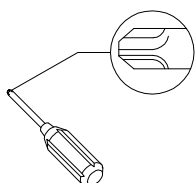


Parts List



Hardware List

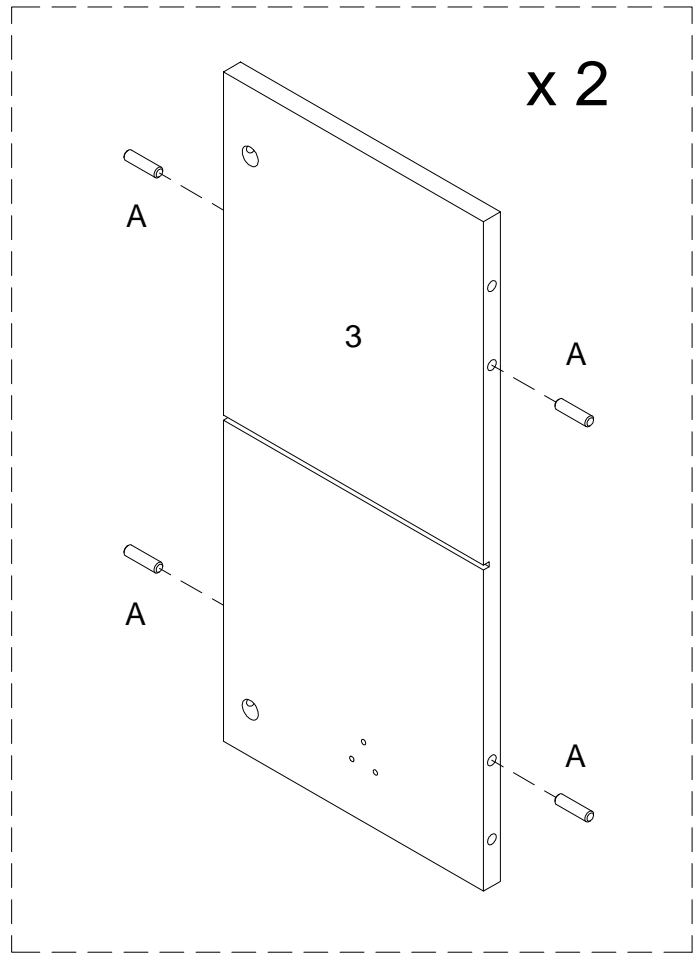
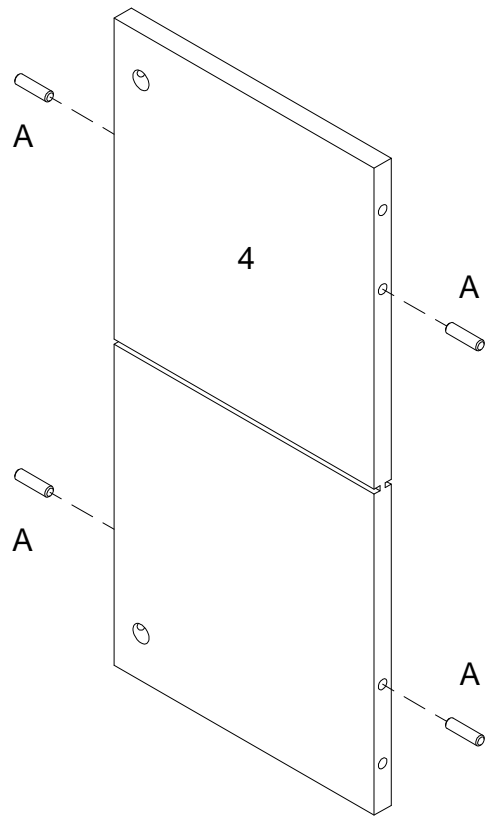
A		Ø8x30mm	Wooden dowel	12 pcs
B		Ø6x35mm	Cam bolt	6 pcs
C		Ø15x11mm	Cam lock	6 pcs
D		Ø30mm	Sticker	6 pcs
E		Ø6x50mm	Screw	6 pcs
F		M 4	Hex Key	1 pc
G		Ø6x12mm	Bolt	12 pcs
H		Ø6x25mm	Bolt	6 pcs
J			Europe hinge	4 pcs
K		Ø3x12mm	Screw	4 pcs
L		Ø3.5x14mm	Screw	26 pcs
M			Door hinge	2 pcs
N			Knob	2 pcs
P			Glue tube	1 pc



Philips head screwdriver required for assembly
(not included)

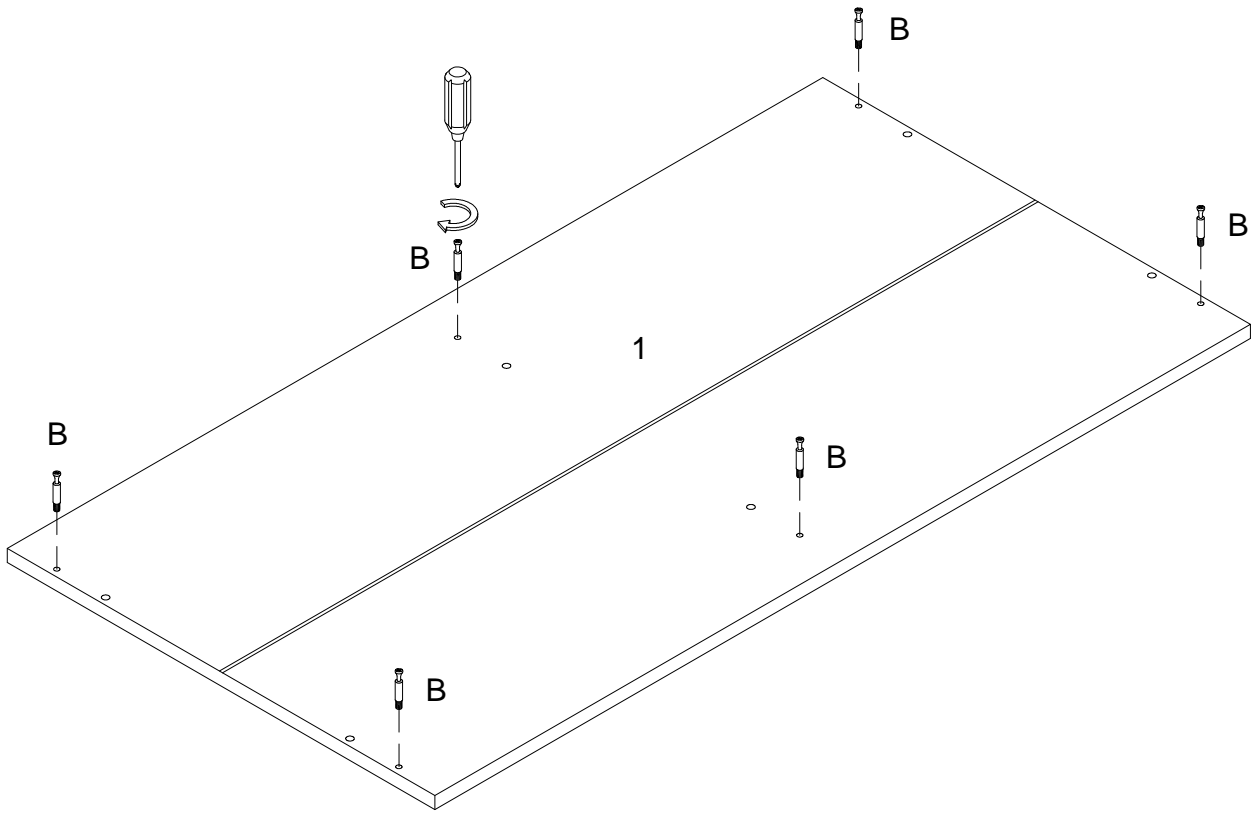
*The hardware quantities listed above are required for proper assembly.
Some extra hardware may also have been included.*

Step 1



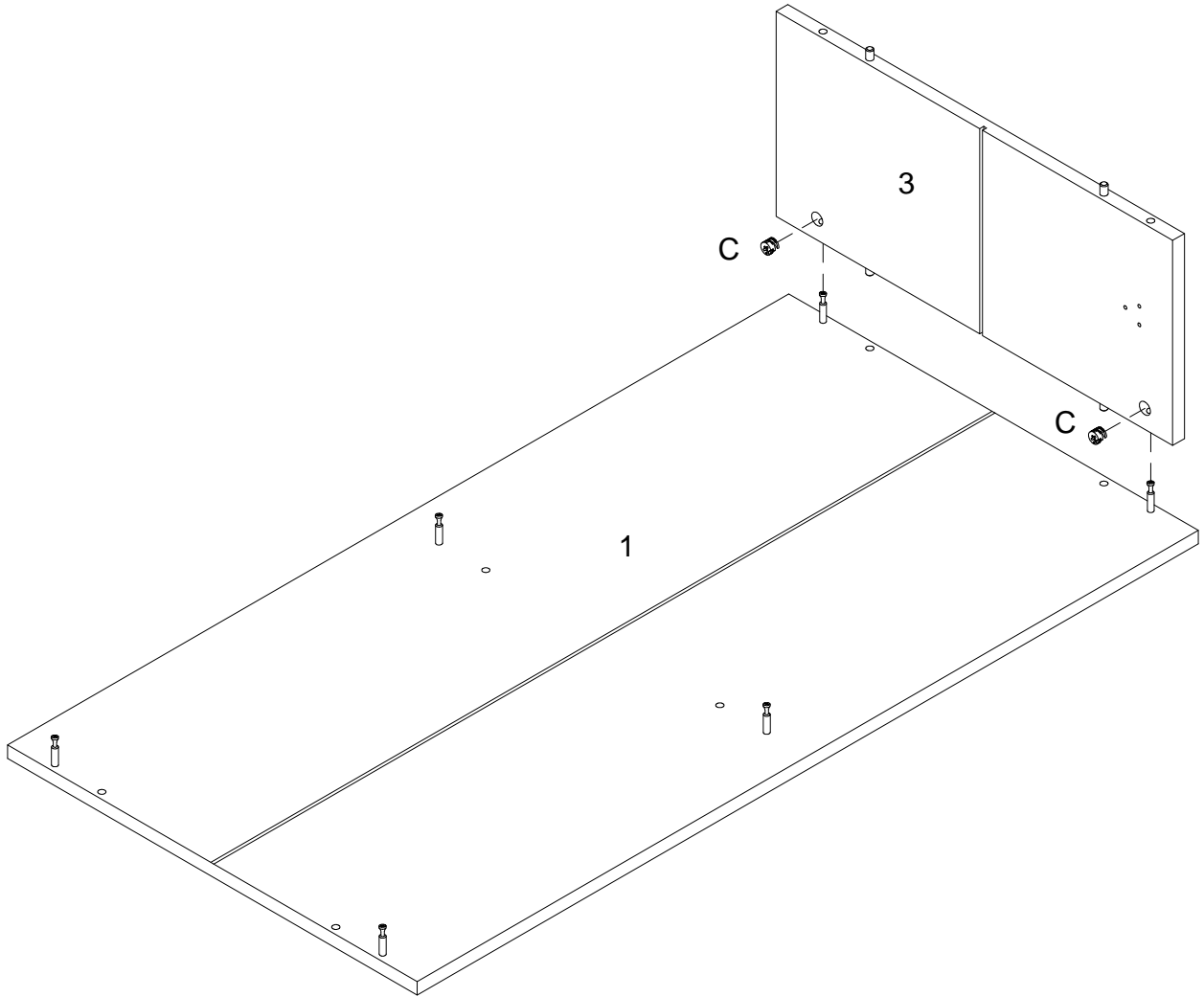
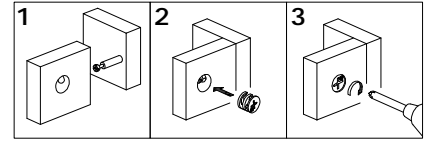
Insert wooden dowel (A) into parts (3,4) as per diagram.

Step 2



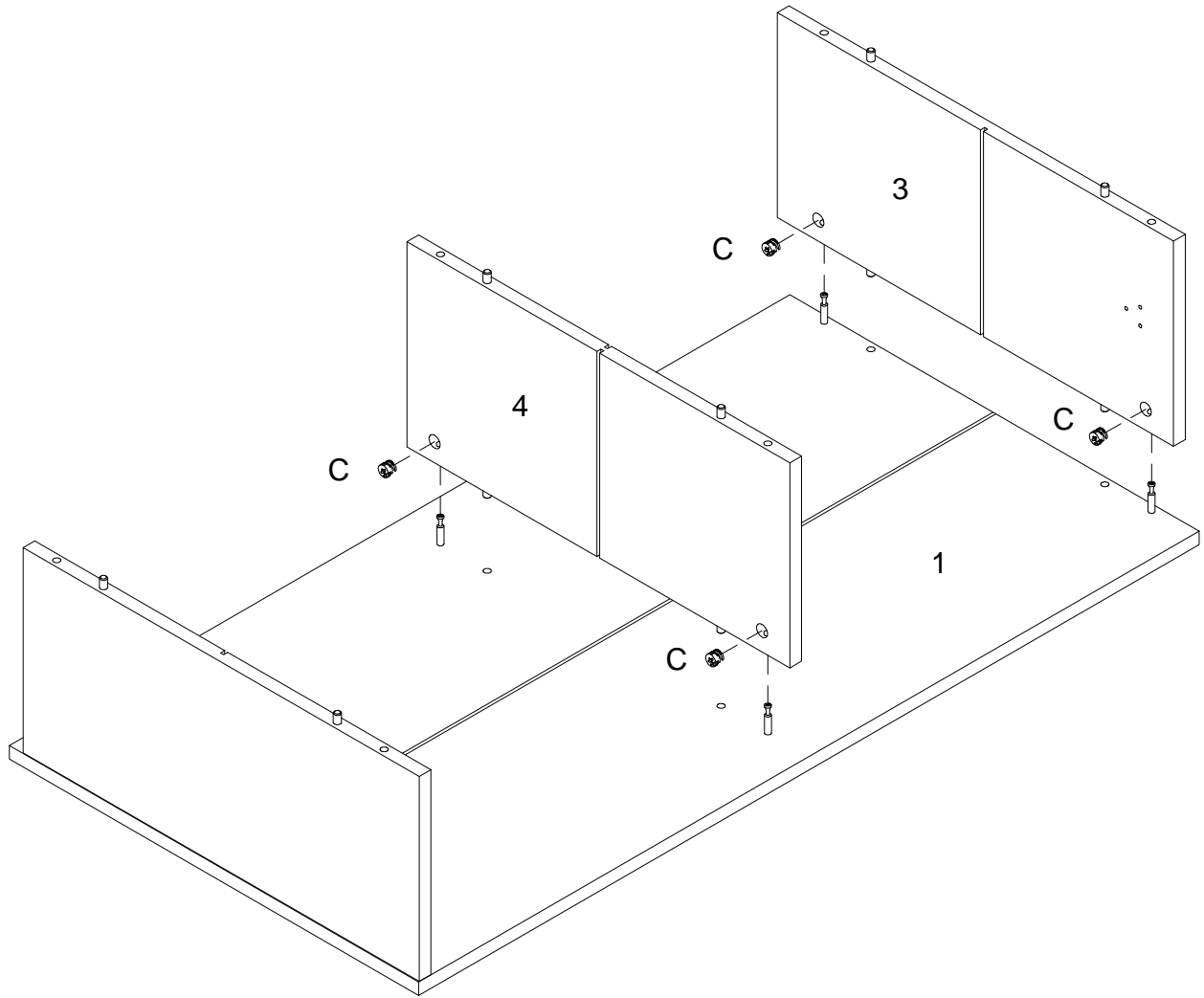
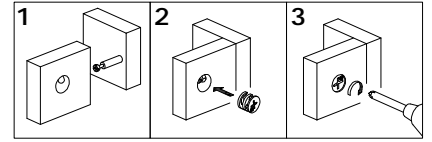
Using cam bolt (B) secure part (1) with Philips head screwdriver as per diagram.

Step 3



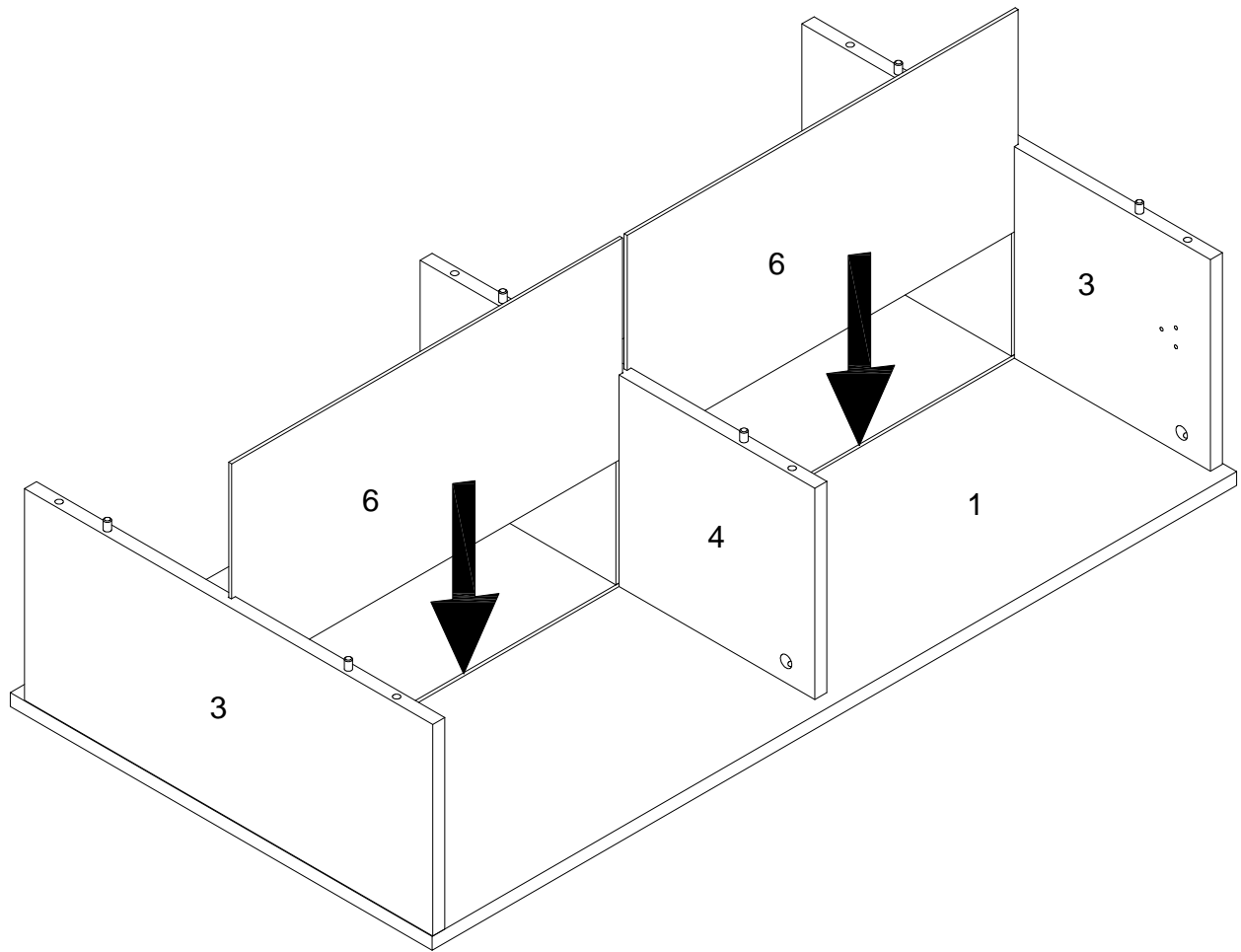
Using cam lock (C) secure part (3) into part (1) with Philips head screwdriver as per diagram.

Step 4



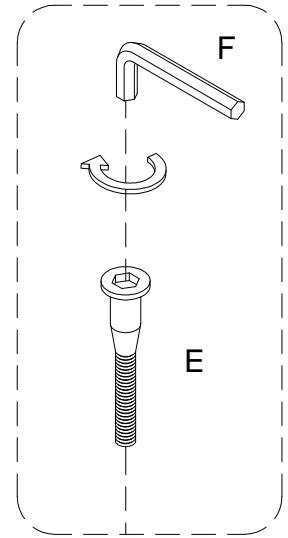
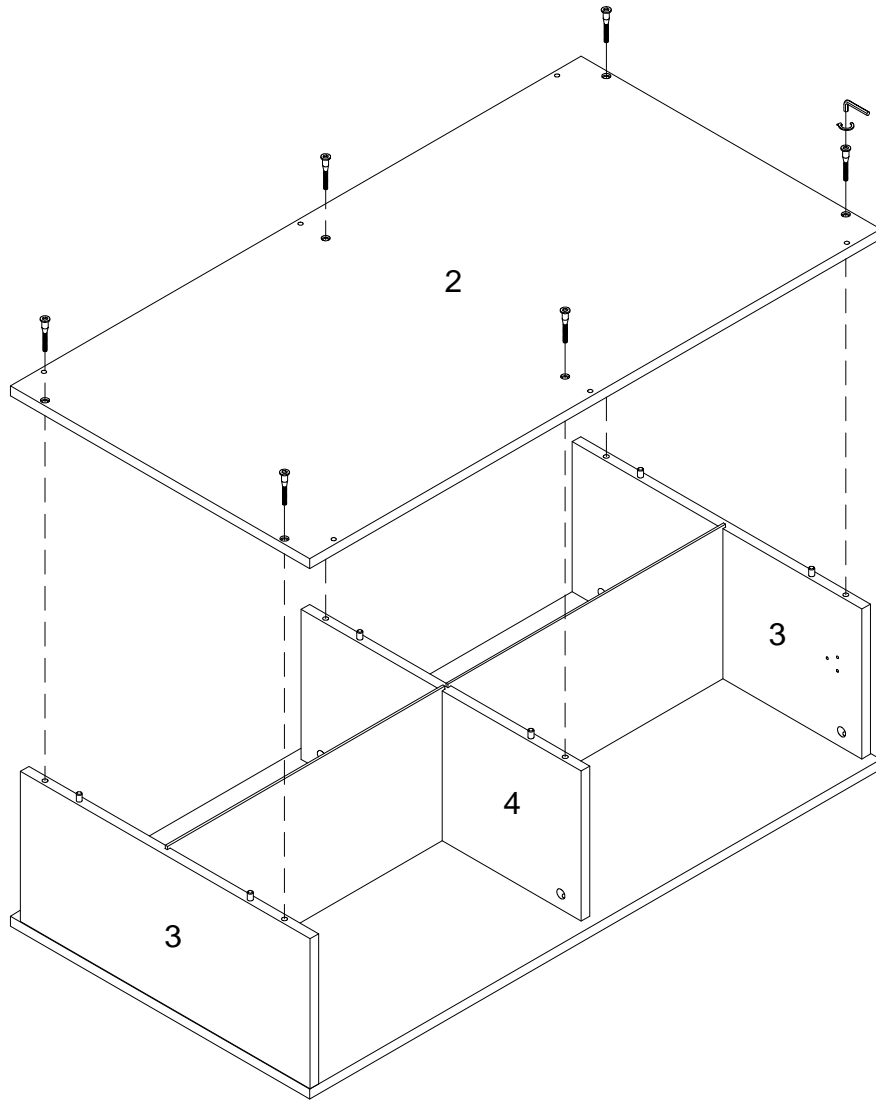
Using cam lock (C) secure parts (3,4) into part (1) with Philips head screwdriver as per diagram.

Step 5



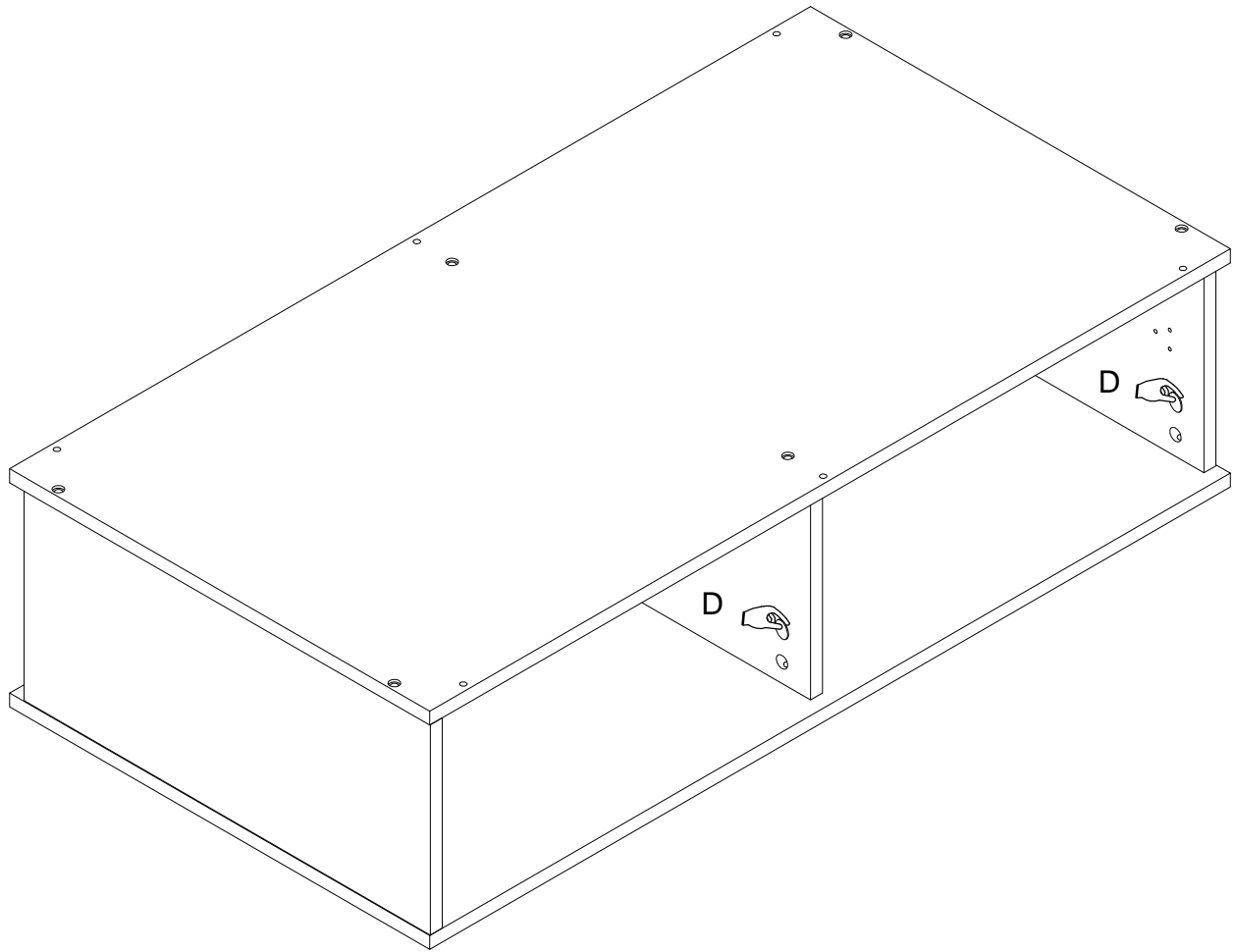
Put part (6) into parts (1,3,4) as per diagram.

Step 6



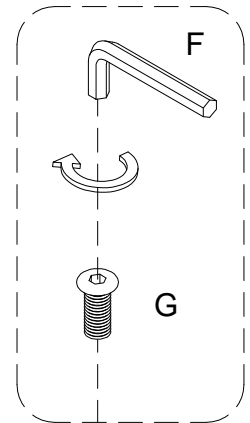
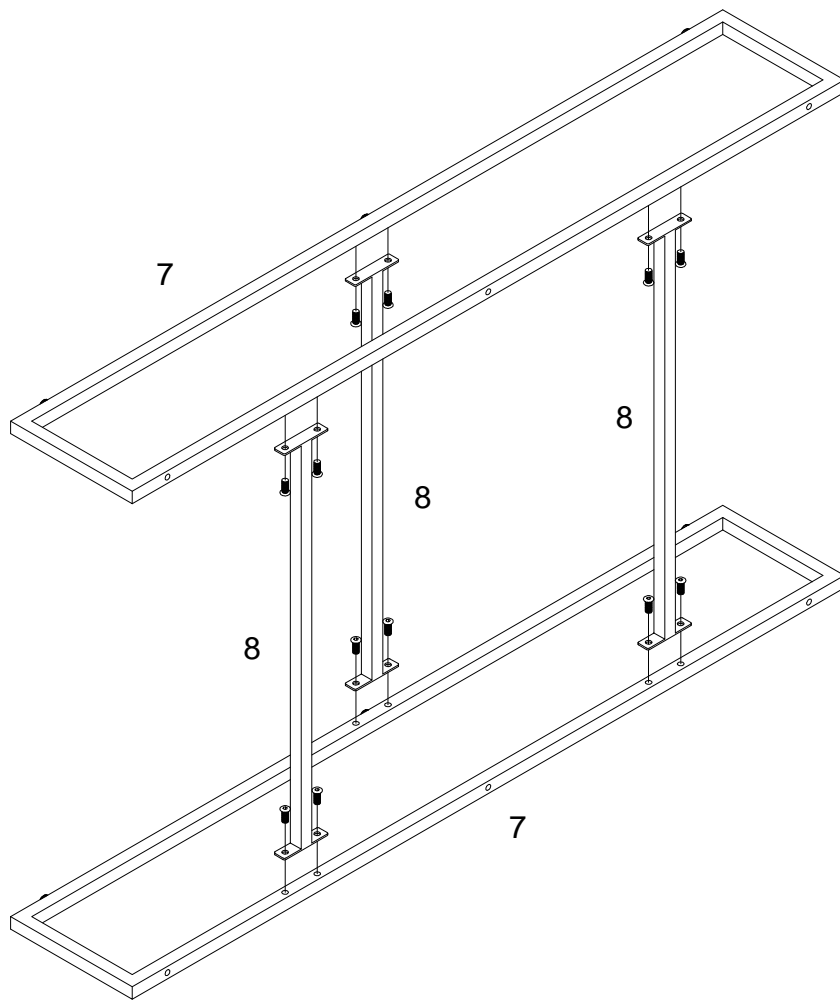
Using bolt (E) secure part (2) into parts (3,4) with hex key (F) as per diagram.

Step 7



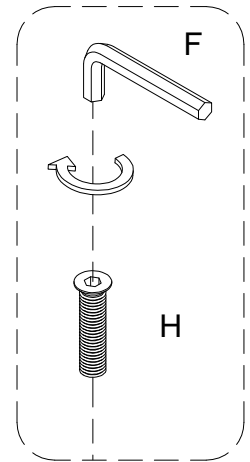
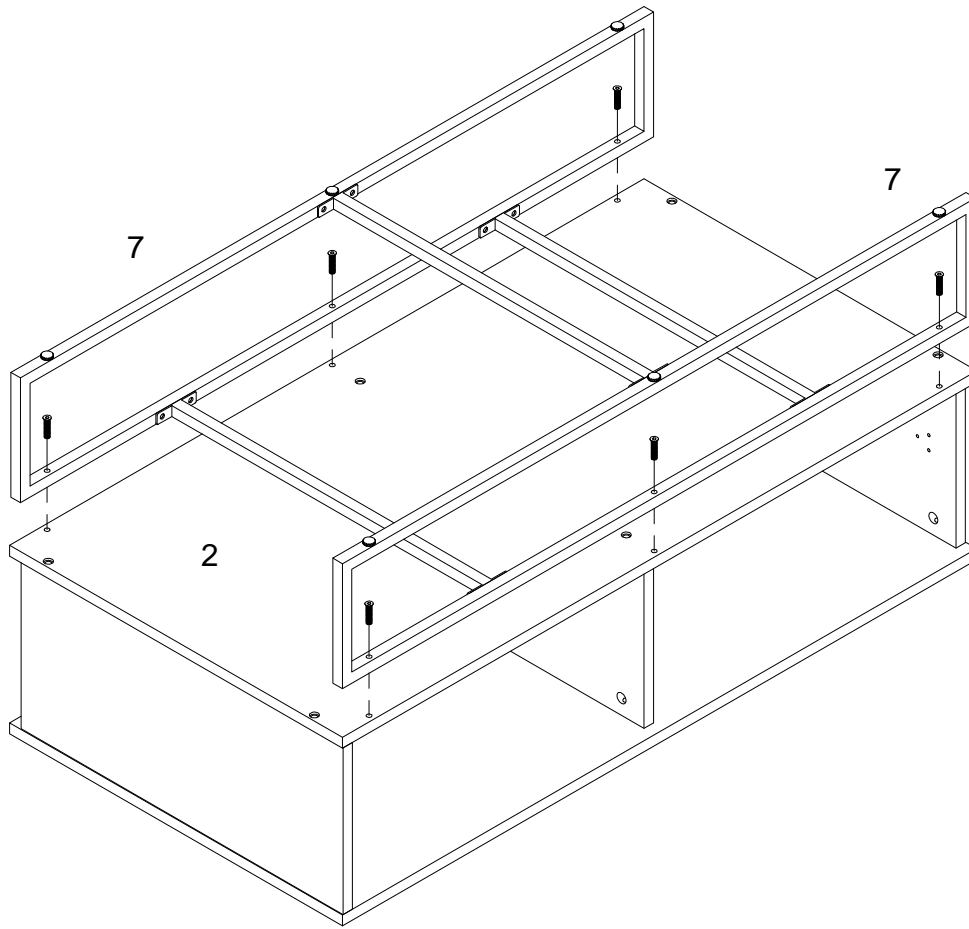
Place sticker (D) cover the holes as per diagram.

Step 8



Using bolt (G) secure part (8) into part (7) with hex key (F) as per diagram.
Do not tighten all the bolts .

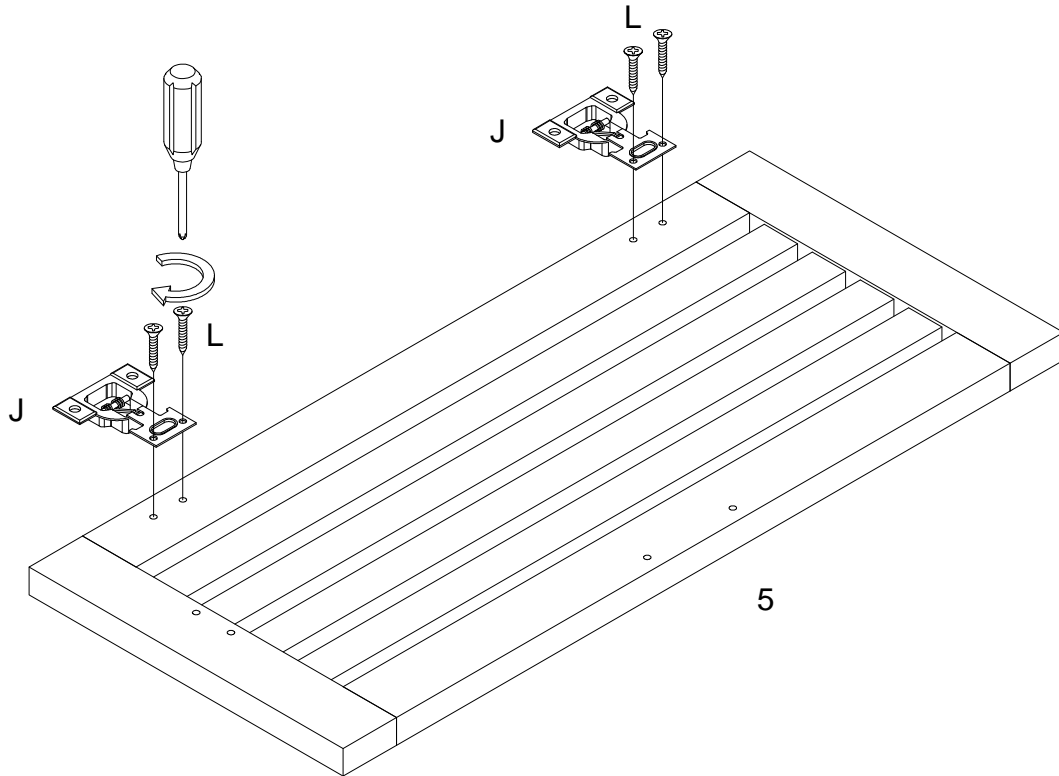
Step 9



Using bolt (H) secure part (7) into part (2) with hex key (F) as per diagram.
Adjust the parts out of alignment and tighten all bolts .

Step 10

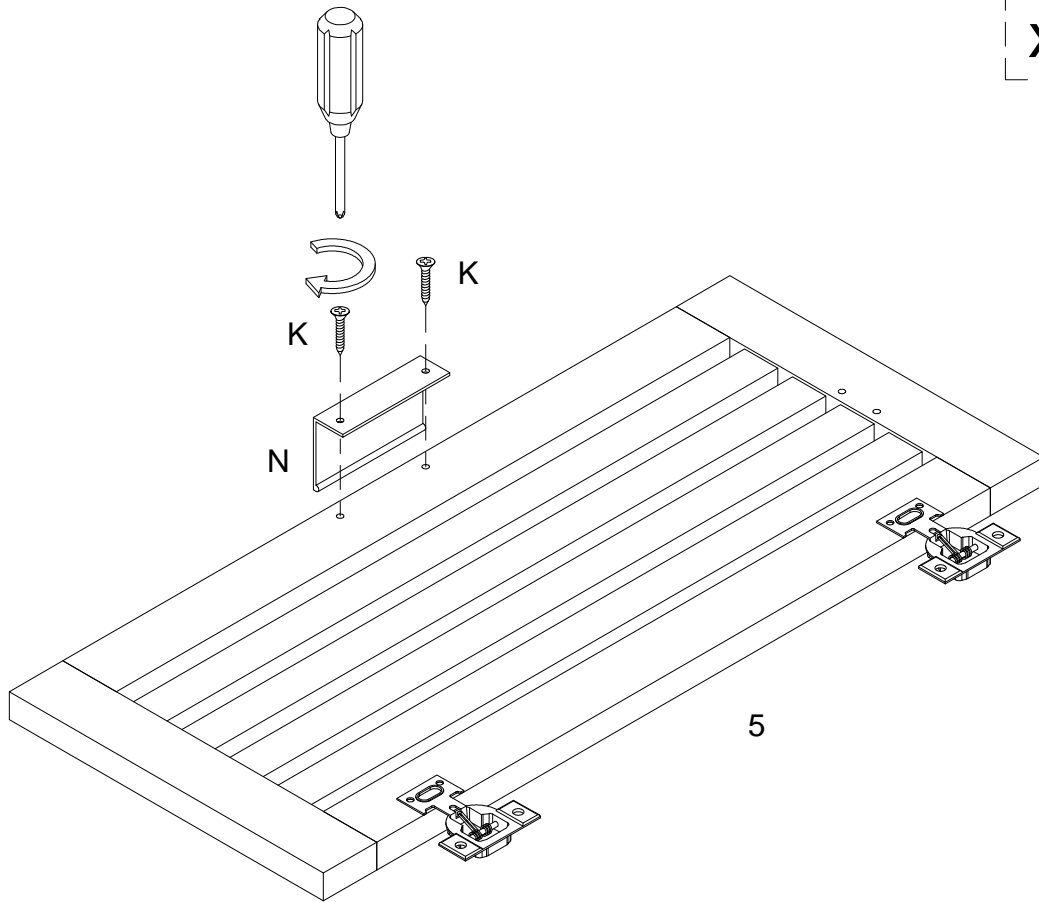
x 2



Using screw (L) secure Europe hinge (J) into part (5) with Philip head screwdriver as per diagram.

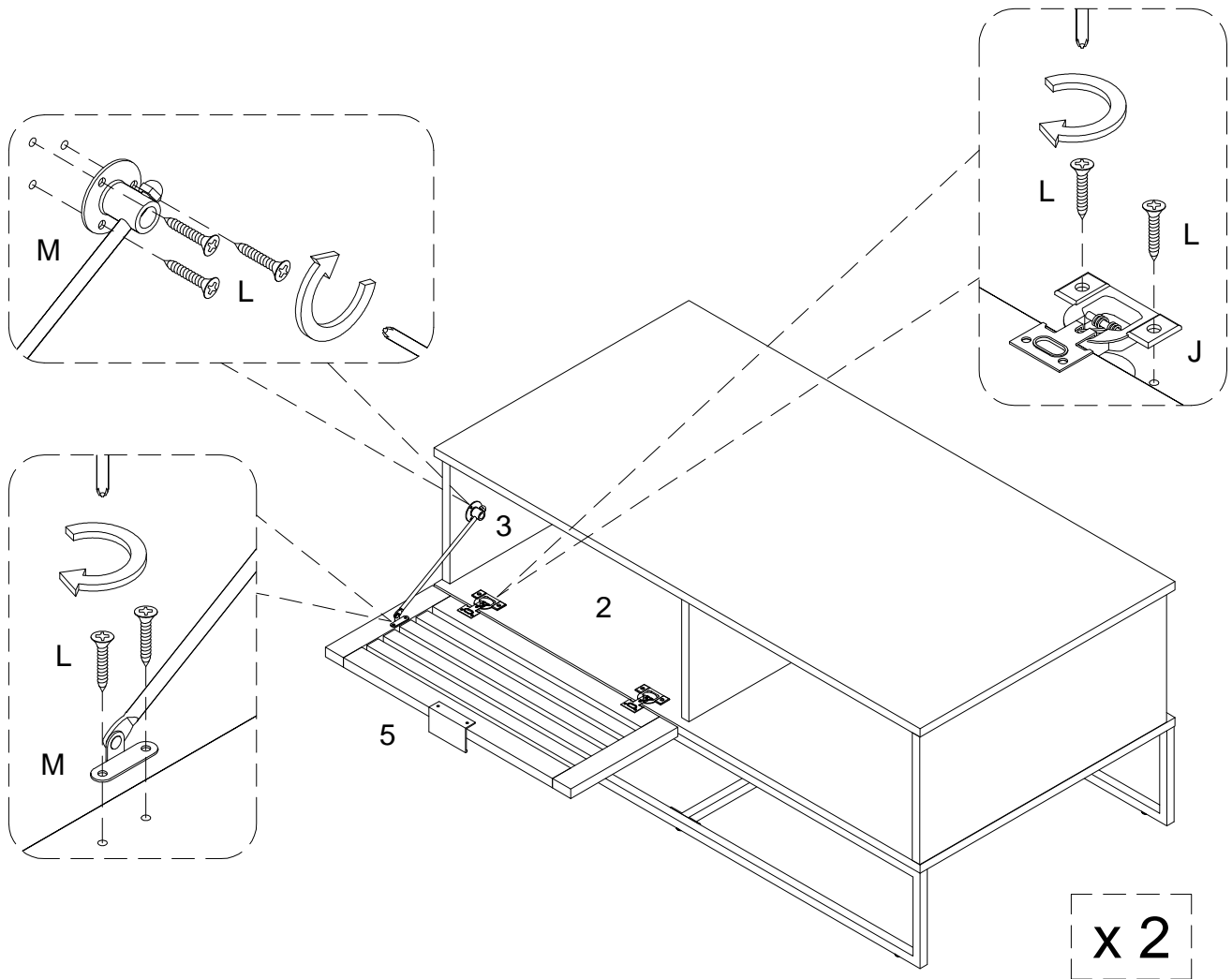
Step 11

x 2



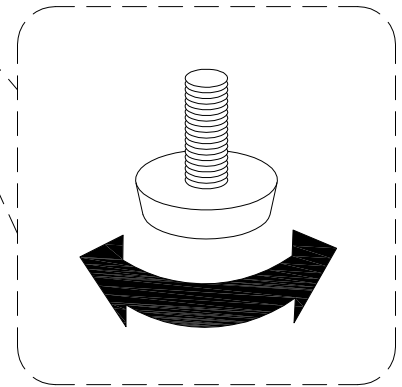
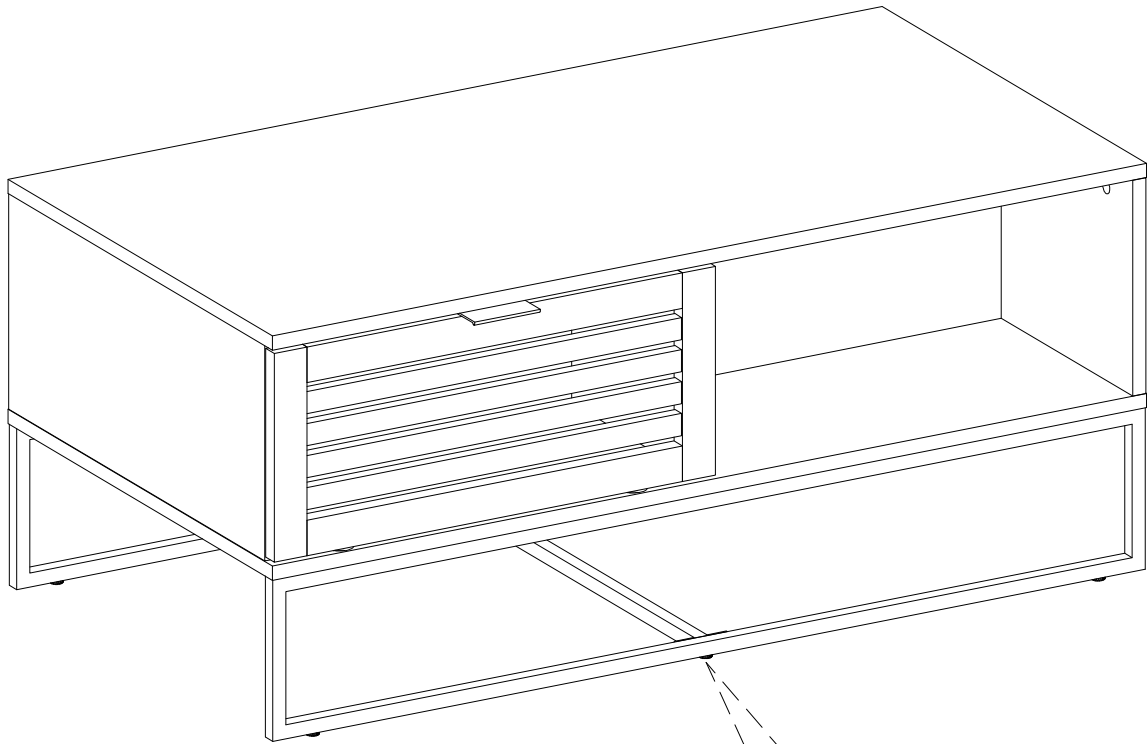
Using screw (K) secure knob (N) into part (5) with Philip head screwdriver as per diagram.

Step 12



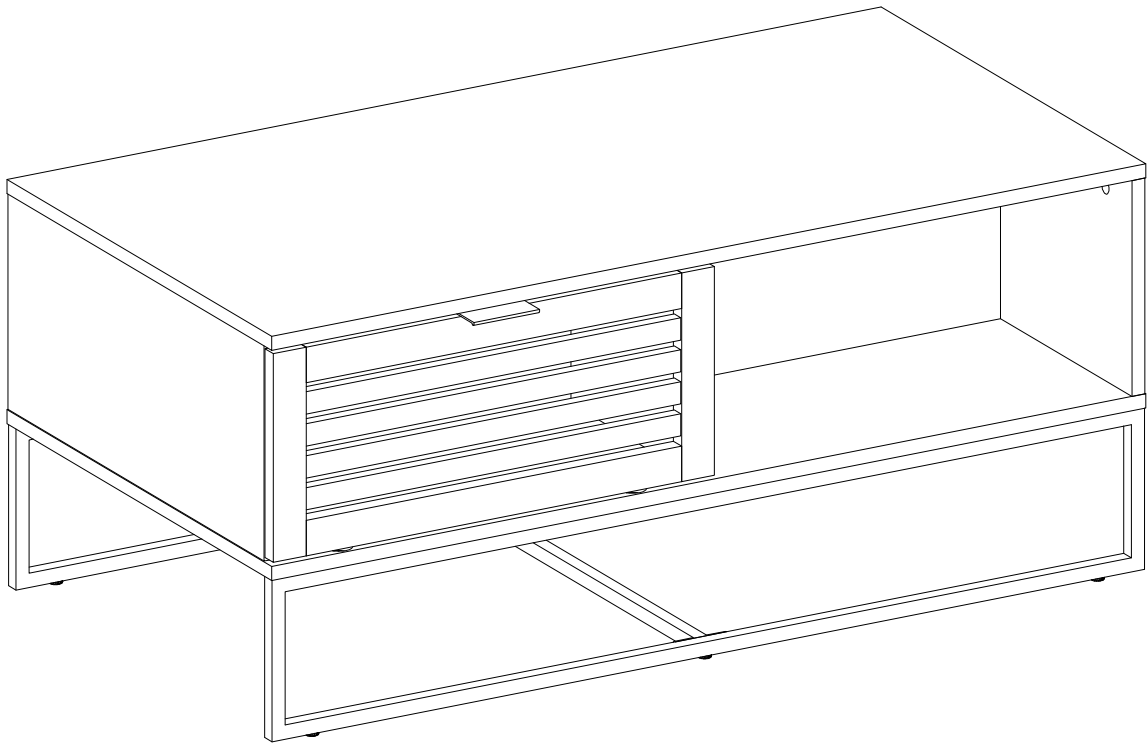
Using screw (L) secure Europe hinge (J) into parts (2) , then using screw (L) secure door hinge (M) into parts (3,5) with Philip head screwdriver as per diagram.

Step 13



If necessary adjust the pre-attached floor levelers at the bottom of metal frame to level the unit.

Step 14



Final Assembly