

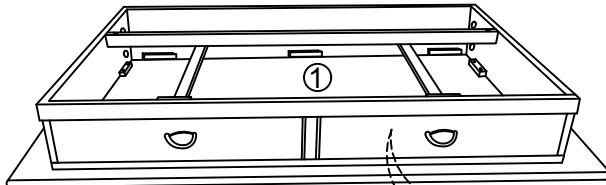
Thank You for purchasing this Quality product. It has been engineered for easy assembly yet constructed for durability. Please take the time to read and follow the instructions while assembling. Please be sure to read the Notes section at the bottom of the page before beginning Assembly. Thank You

ASSEMBLY INSTRUCTION

RECTANGULAR COCKTAIL TABLE

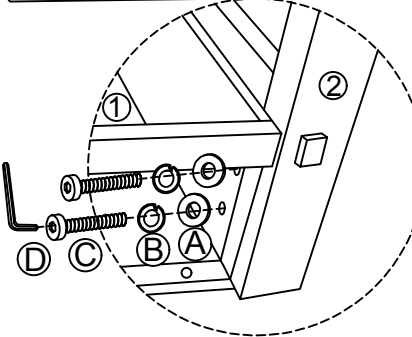
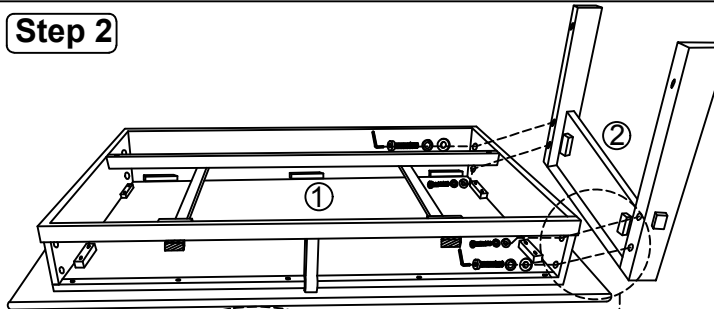
Model : T435-01 (DAVT 1929-1)

Step 1

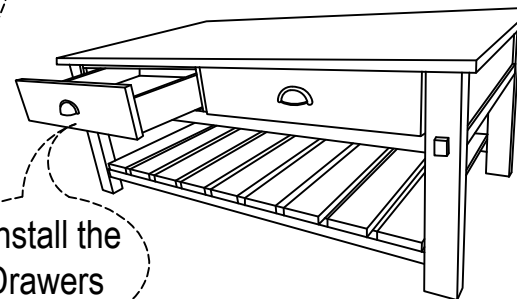


Remove the Drawers

Step 2

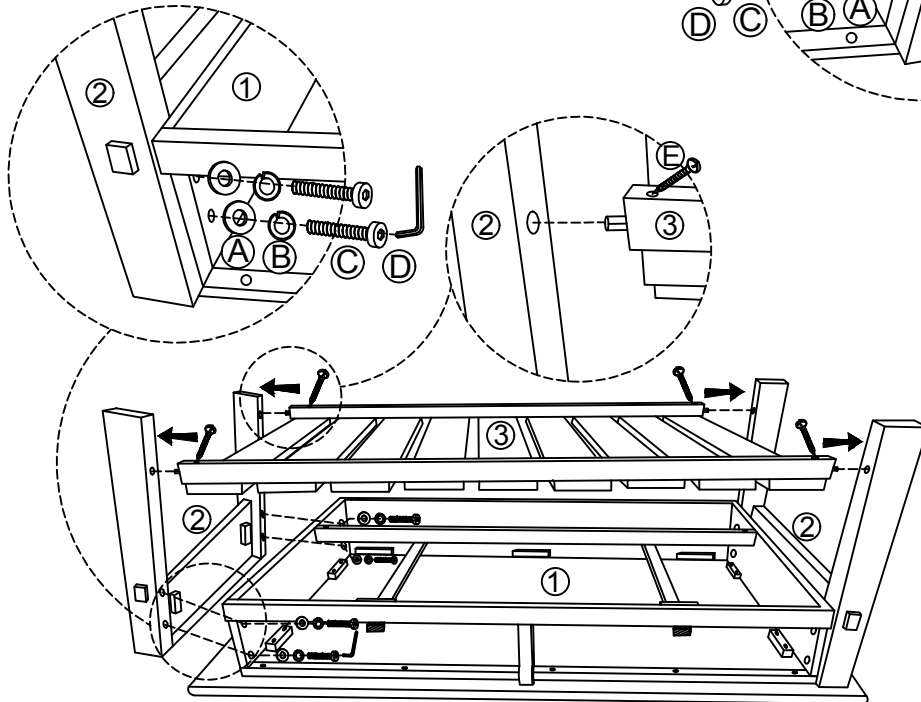


Step 4



Install the Drawers

Step 3



Assembly Completed !!

SIZE : 48" x 28" x 19"H

List of Part For 1 Set

Code	Figure	Part	Qty.
①		Top Assembly	1
②		Table Leg	2
③		Bottom Shelf	1

List of hardware For 1 Set

Code	Figure	Hardware	Qty.
(A)		Flat Washer $\frac{5}{8}$ " x 16mm	8
(B)		Spring Washer $\frac{1}{4}$ "	8
(C)		JCBC M6 x 40mm	8
(D)		Allen Key M4	1
(E)		PHRS Screw # 8 x 1 1/2"	4

⚠ Important Notes

- * Keep all hardware parts out of reach of children.
- * Must tighten screws periodically. With use screws will become loose. Check tightness of all screws every 6-8 weeks.
- * Don't attempt to repair or modify parts that are broken or defective. Please contact the store immediately.
- * Do not tighten all screw / bolt until all completely assembled

Notes

- * Place all wooden parts on a clean and smooth surface such as a rug or carpet to avoid the parts from being scratched.
- * Check to be sure that you have all parts and hardware.
- * Remove all wrapping materials including staples & packing straps before you start to assemble.
- * Do not tighten all screws / bolts until all completely assembled.

MADE IN MALAYSIA