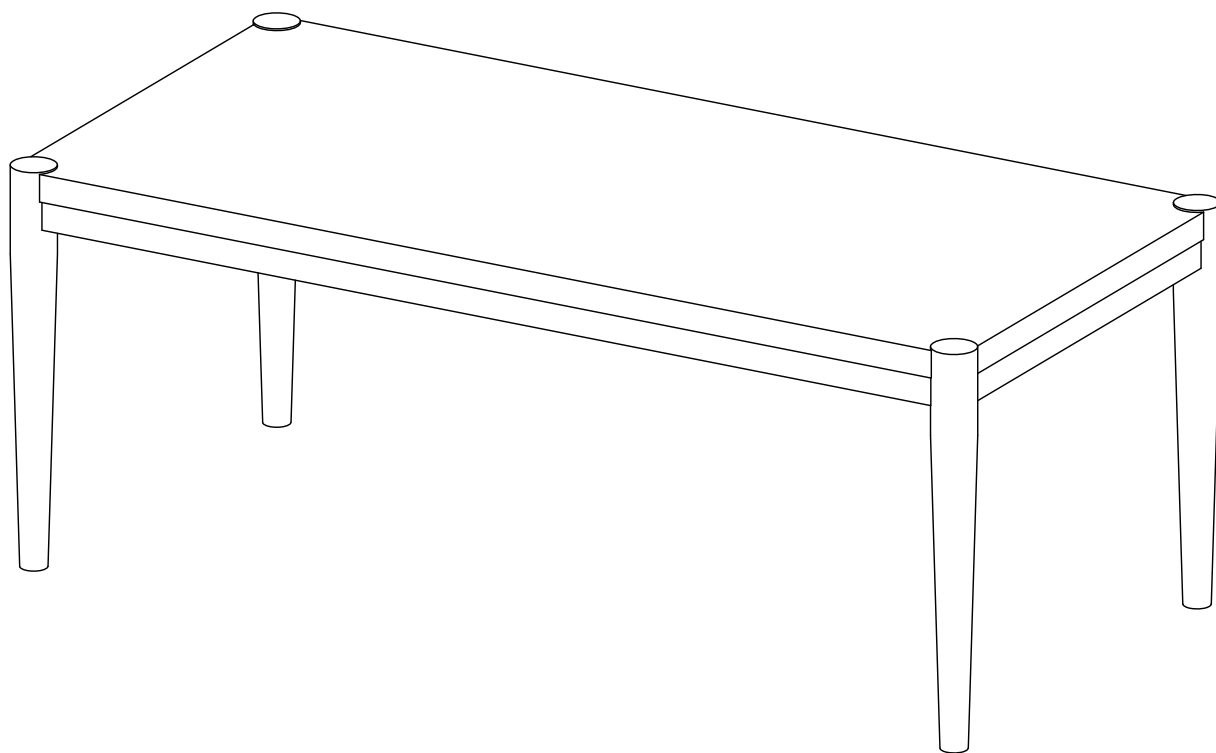


Item # : AF46COLCT
Assembly Instructions



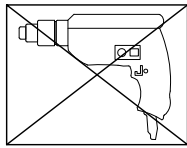
Walker Edison®

Please visit our website for the most current instructions, assembly tips, report damage, or request parts. www.walkeredison.com

Revised 07/10/2019(C)

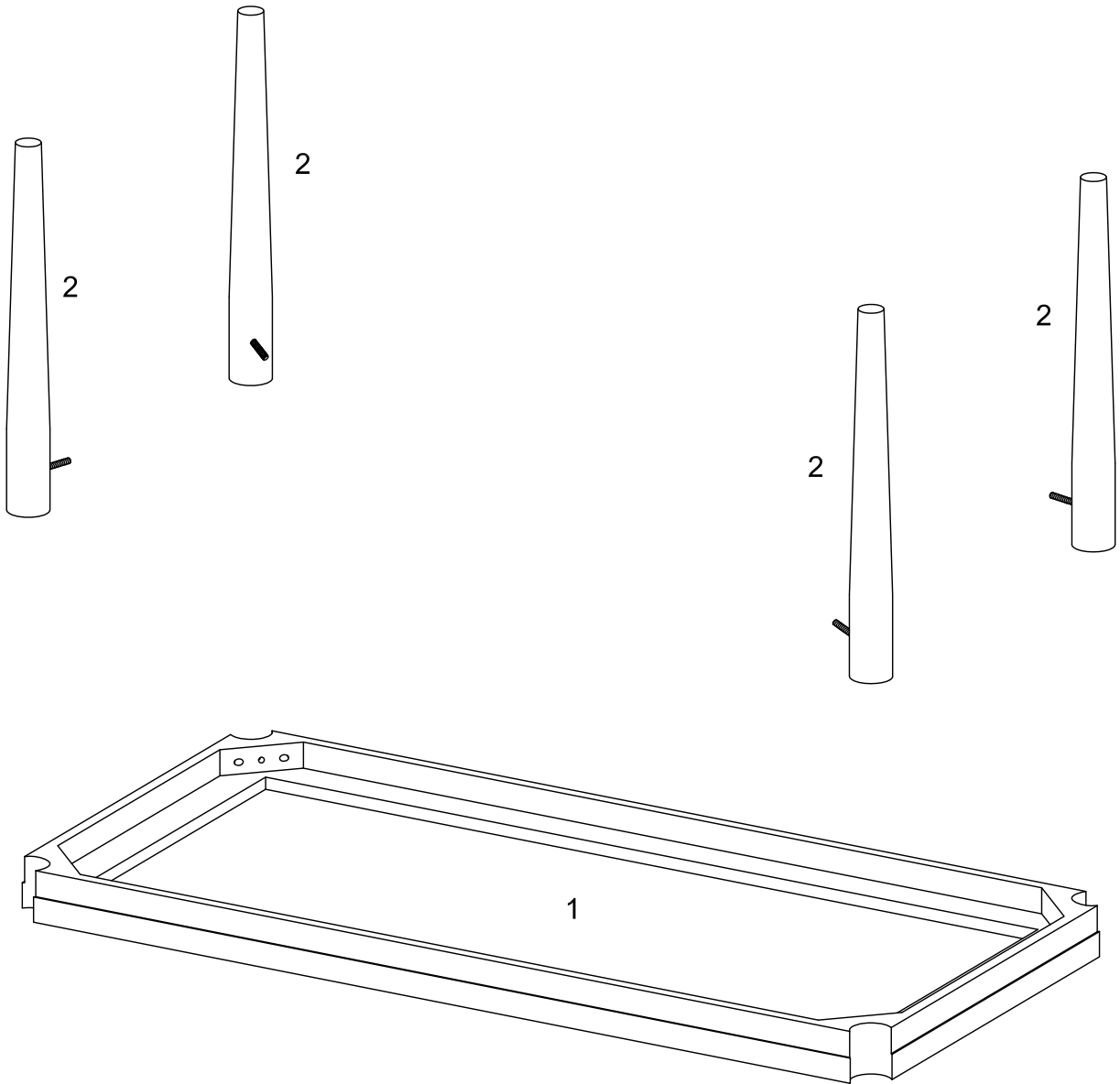
General Assembly Guidelines

- I. Ensure that all parts and hardware are available before beginning assembly.
- II. Follow each step carefully to ensure the proper assembly of this product.
- III. Two people are recommended for ease in the assembly of this product.
- IV. The main type of hardware used to assemble this product are: bolts and screws.
- V. Power tools should not be used to assemble this product.




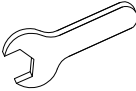


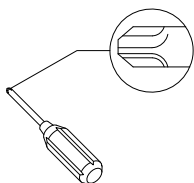
- VI. Drill may be needed for securing product to wall.

Parts List



Hardware List

A		5/16"	Flat washer	4 pcs
B		5/16"	Lock washer	4 pcs
C		5/16"	Hex nut	4 pcs
D			Wrench	1 pc

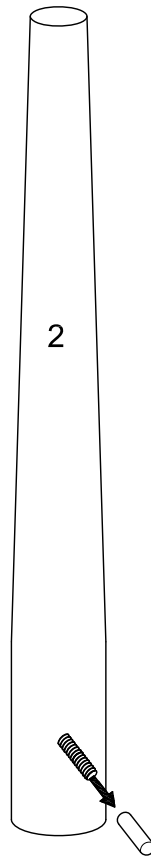


Philips head screwdriver required for assembly
(not included)

*The hardware quantities listed above are required for proper assembly.
Some extra hardware may also have been included.*

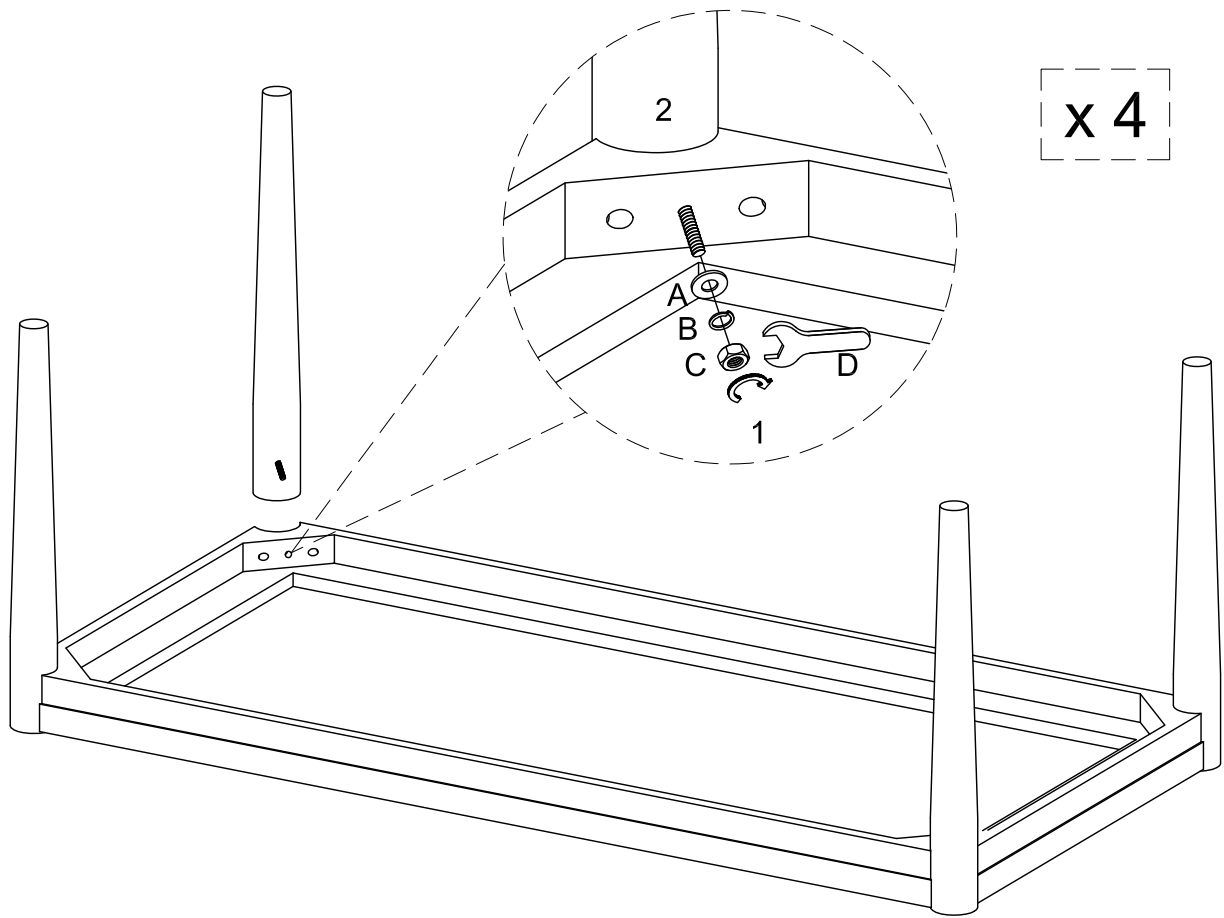
Step 1

x 4



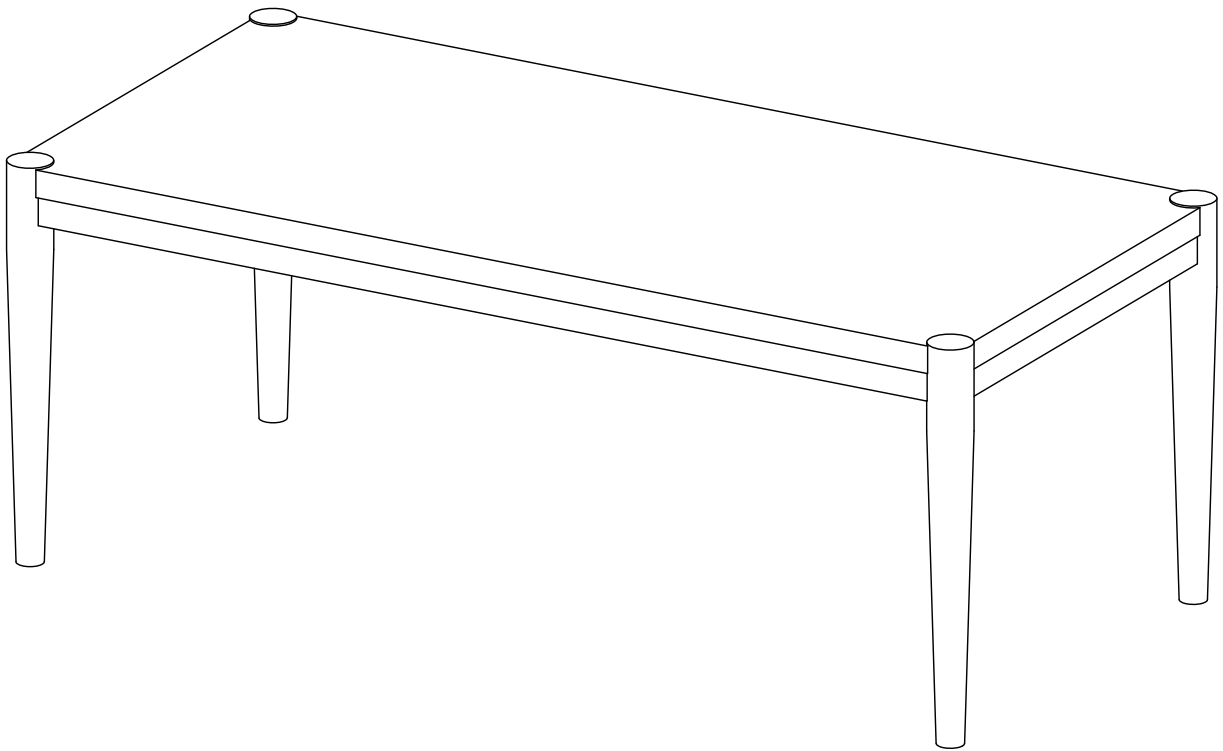
Take away the plastic sleeve from the bolt as per diagram.

Step 2



Using flat washer (A),lock washer(B) and hex nut (C) secure part (2) to part (1) with wrench (D) as per diagram .

Step 3



Final Assembly