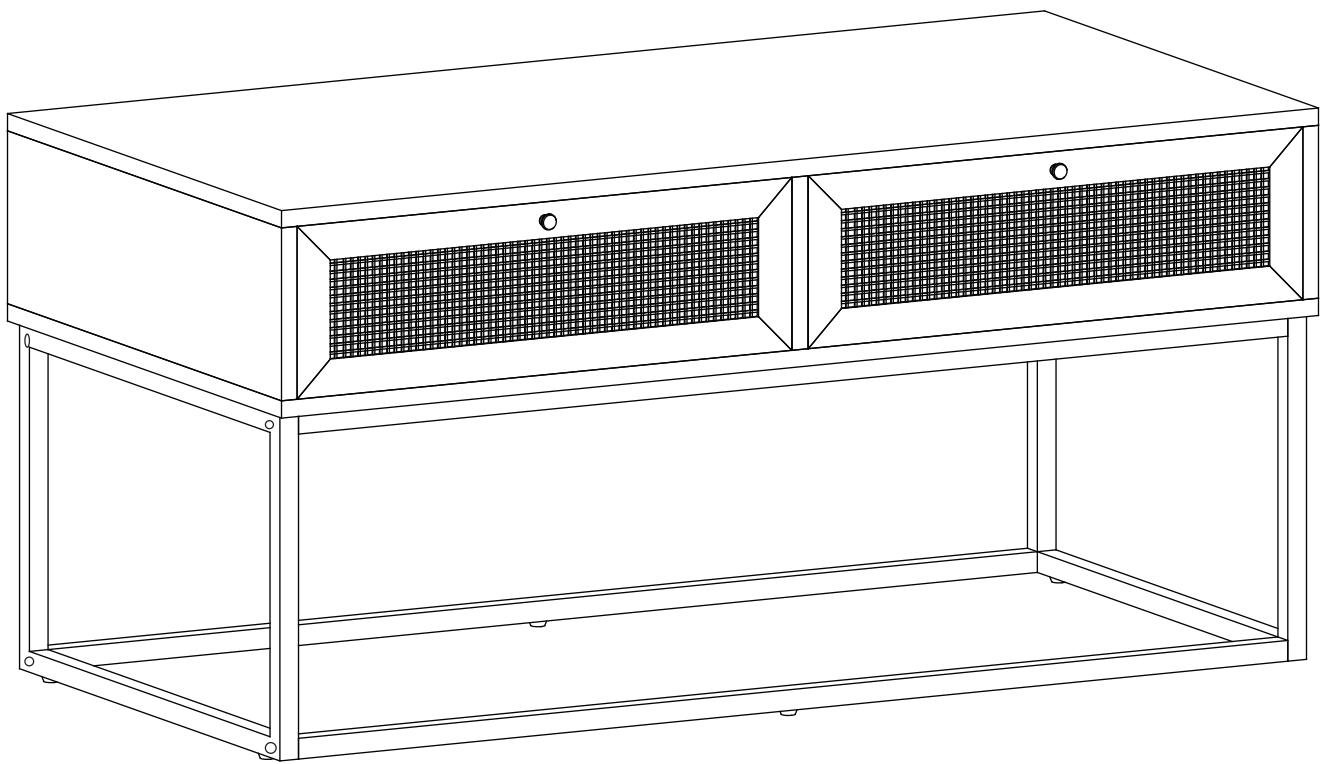


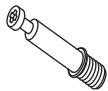


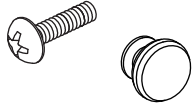
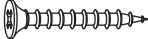


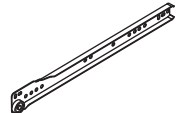
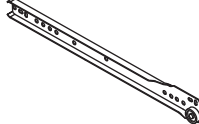
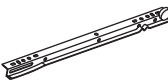
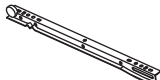

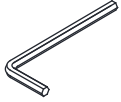


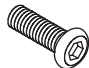
Coffee table



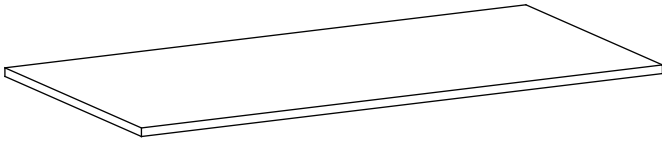
ASSEMBLY INSTRUCTION

Date last updated:05-07-2022

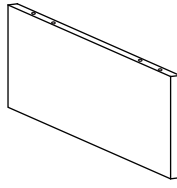
HARDWARE LIST

A 14 PCS	 Ø6x35mm	B 14 PCS	 Ø15x10mm	C 12 PCS	 Ø6x30mm	D 2 PCS	
E 14 PCS	 Ø4x35mm	F 24 PCS	 Ø3.5x12mm	G 6 PCS		CL 2 PCS	 L350mm
CR 2 PCS	 L350mm	DR 2 PCS	 L350mm	DL 2 PCS	 L350mm	H 8 PCS	 Ø6x30mm
I 1 PC	 M4mm	J 4 PCS		K 4 PCS	 Ø3x16mm	L 8 PCS	 Ø6x25mm

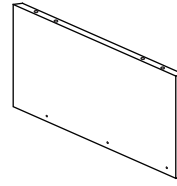
PARTS LIST



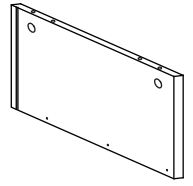
1 - 1 PC



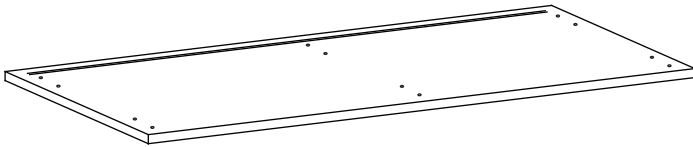
2 - 1 PC



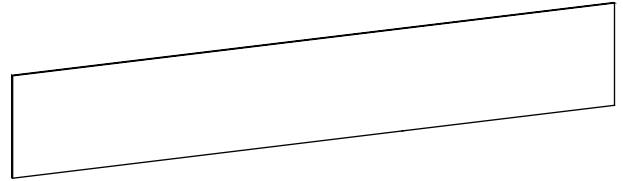
3 - 1 PC



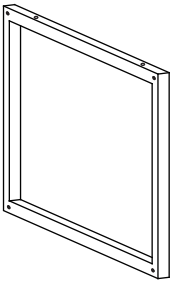
4 - 1 PC



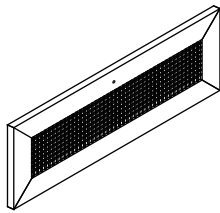
5 - 1 PC



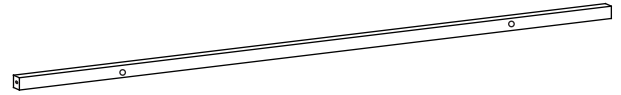
6 - 1 PC



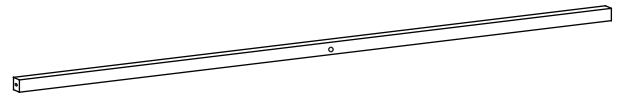
7 - 2 PCS



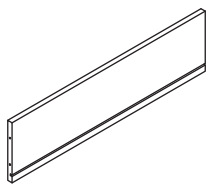
8 - 2 PCS



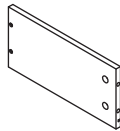
9 - 2 PCS



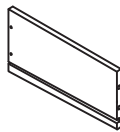
10 - 2 PCS



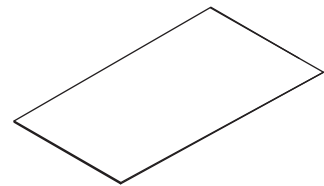
11 - 2 PCS



12 - 2 PCS



13 - 2 PCS



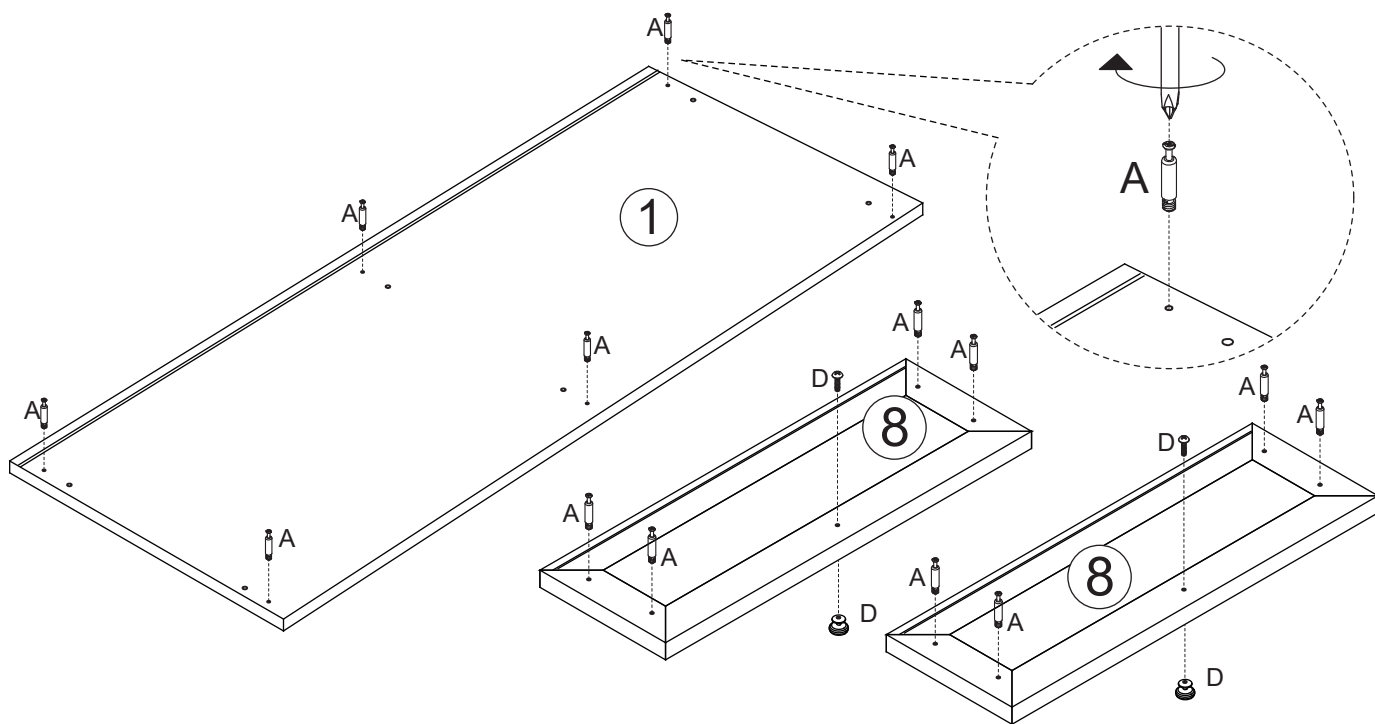
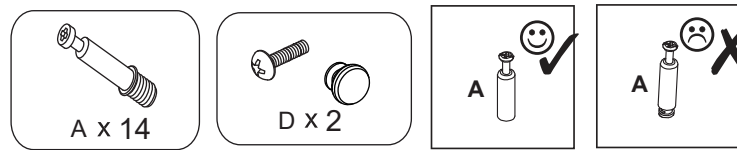
14 - 2 PCS

ASSEMBLY STEPS

STEP 1.

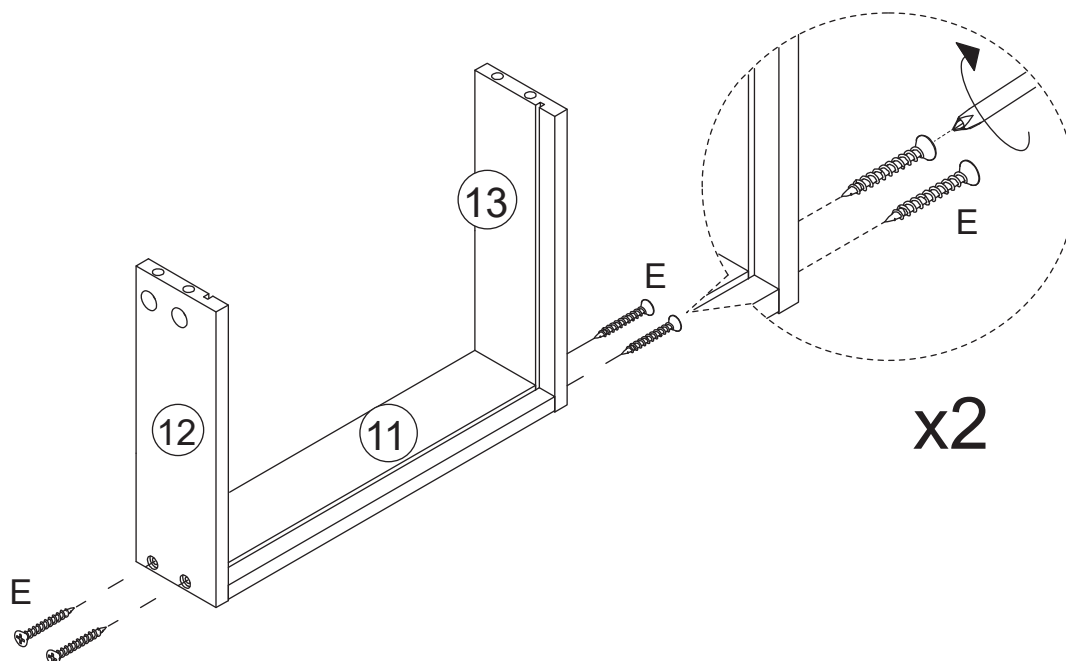
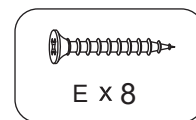
Insert quickfit screws (A) into part 1 and parts 8, as shown .

Fix handles to parts 8 using screws (D), as shown.



STEP 2.

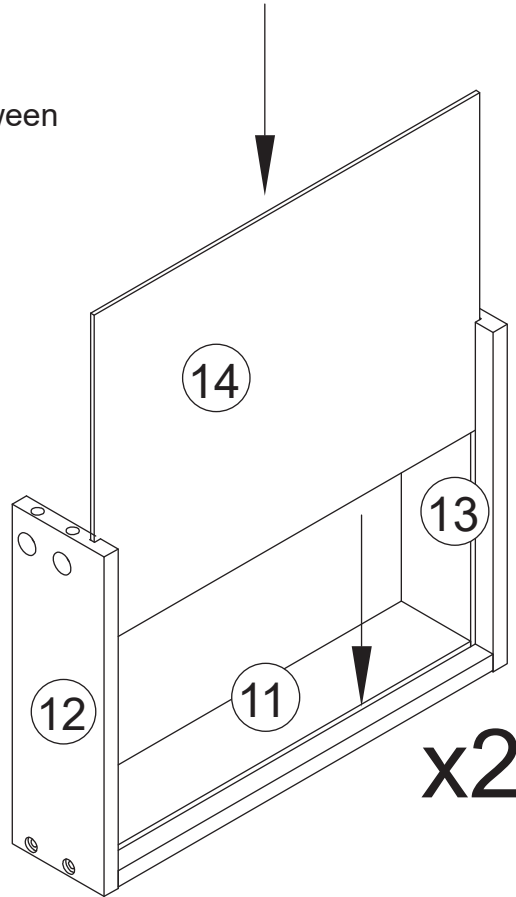
Fix parts 12 and 13 to part 11 using screws (E), as shown.



ASSEMBLY STEPS

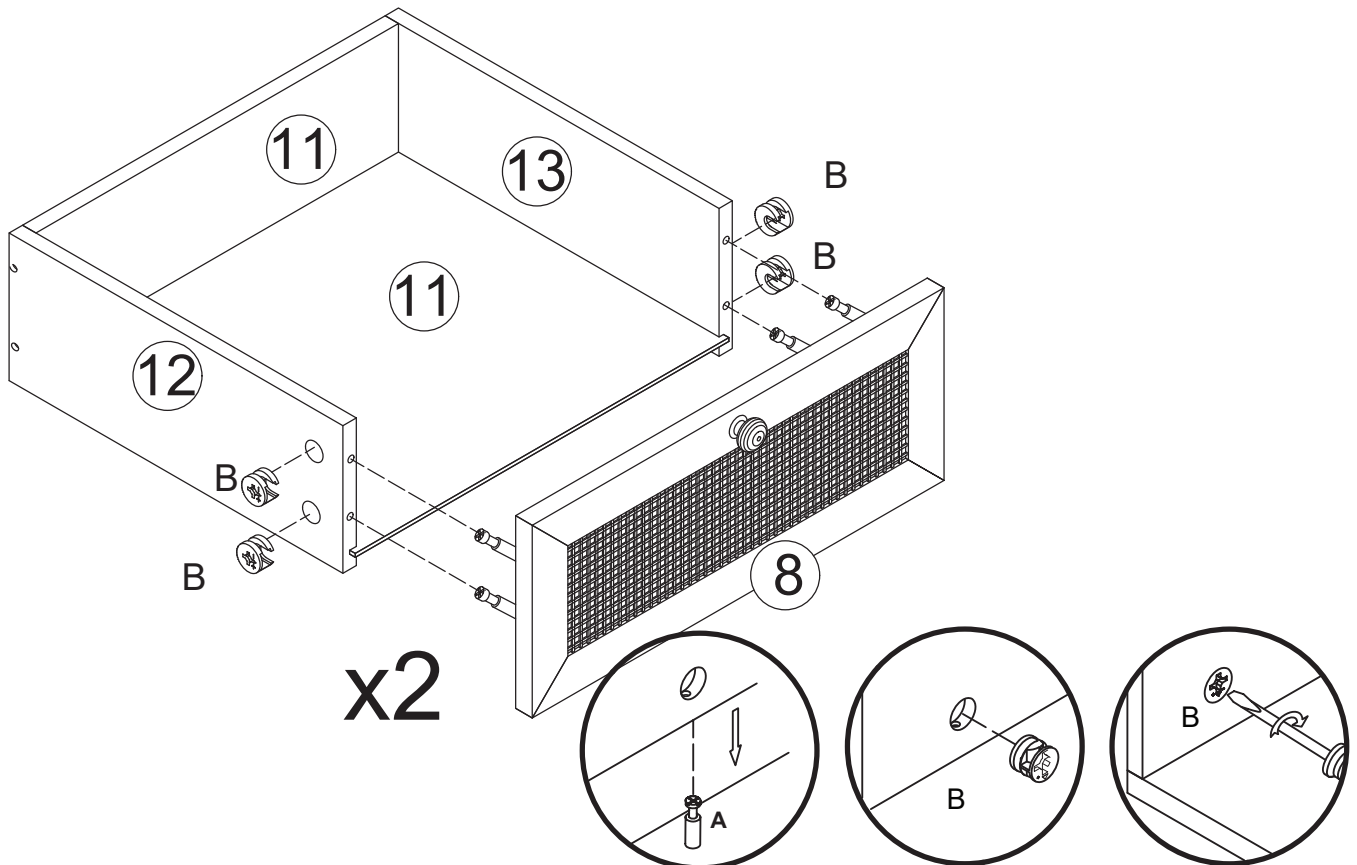
STEP 3.

Slide part 14 into grooves between parts 11,12 and 13, as shown.



STEP 4.

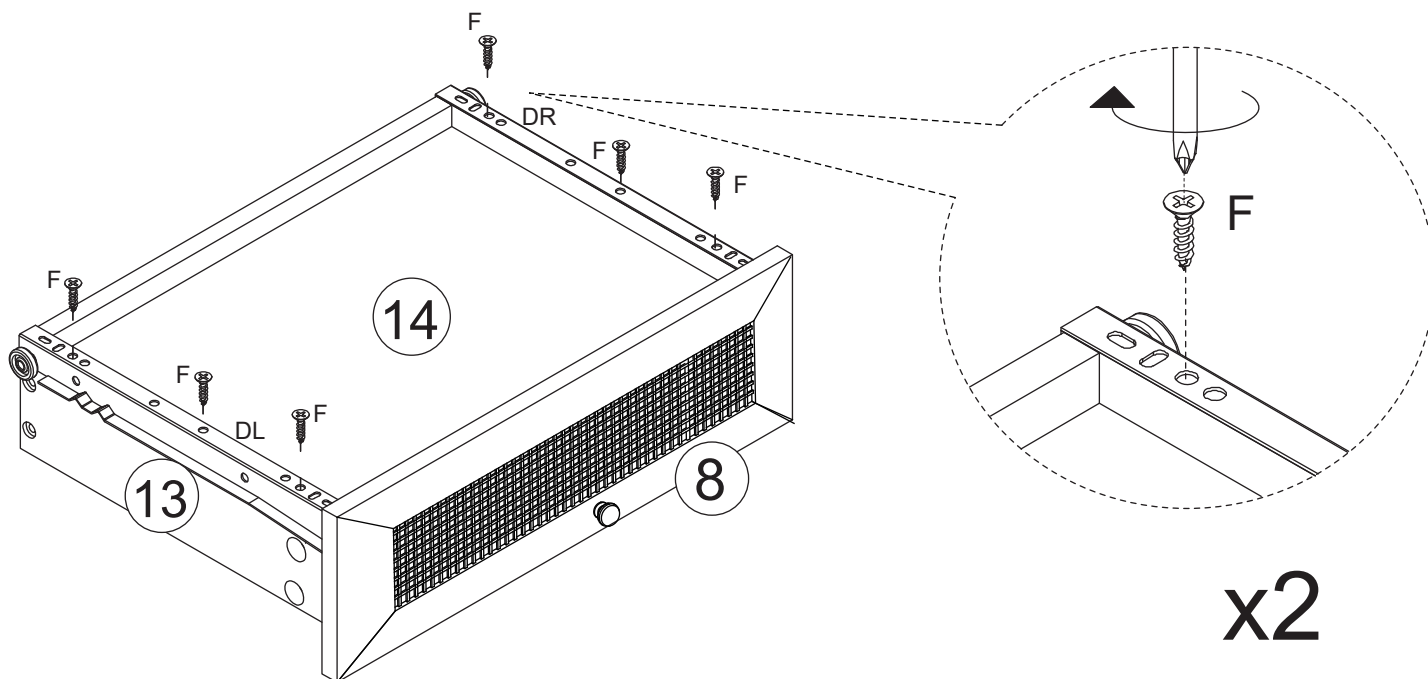
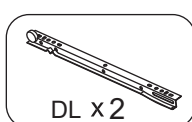
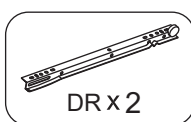
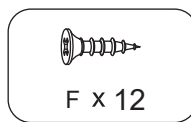
Insert cam locks (B) into parts 13 and 12.
Fit parts 8 to assembled unit, as shown.
Turn cam locks clockwise to tighten.



ASSEMBLY STEPS

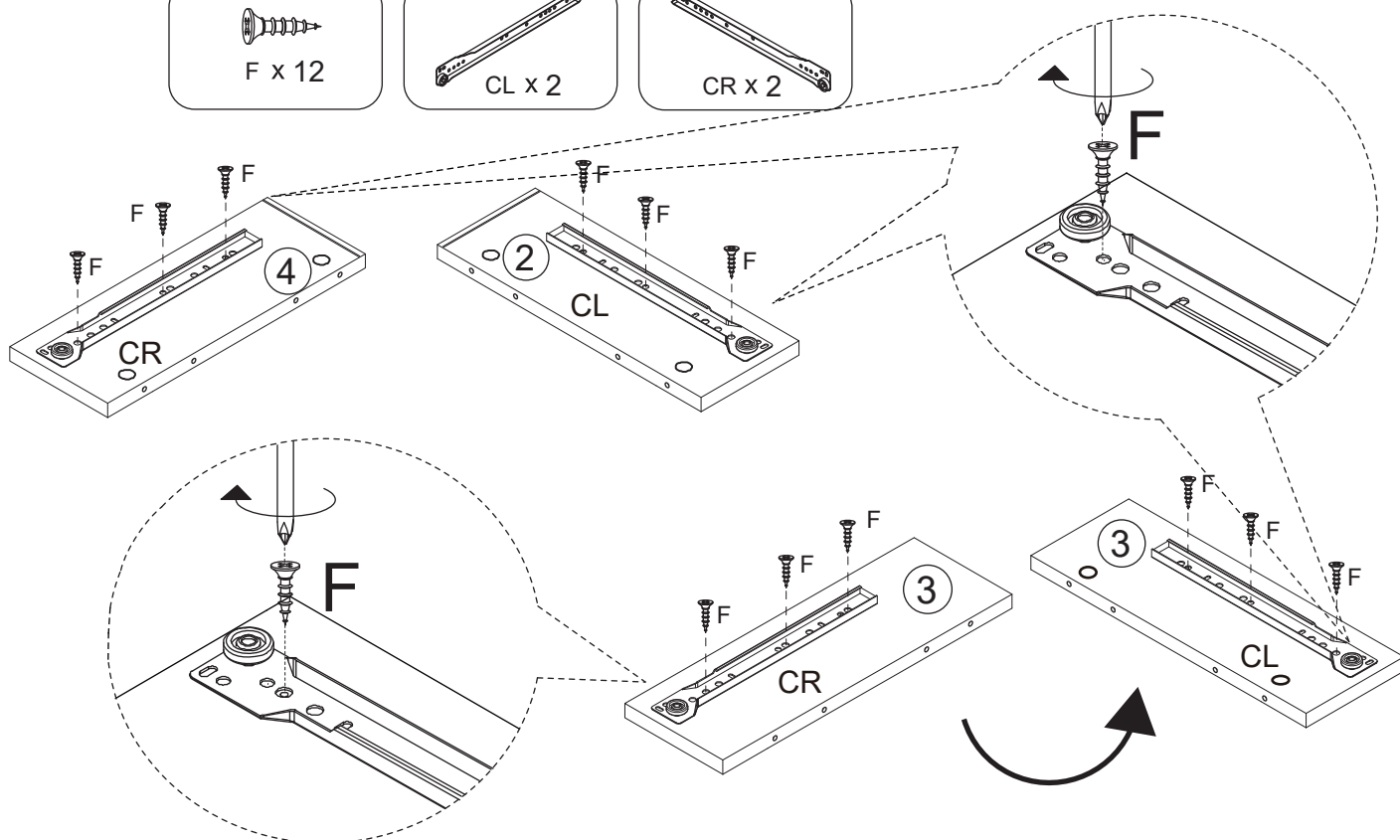
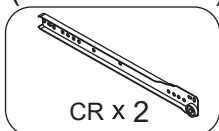
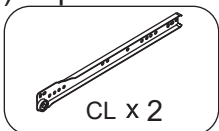
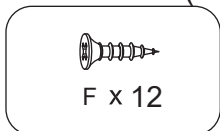
STEP 5.

Fix inner drawer runners (DR) and (DL) to assembled drawers using screws (F), as shown.



STEP 6.

Fix outer drawer runners (CL) to parts 2 and 3(one side), as shown.
Fix outer drawer runners (CR) to parts 4 and 3(the other side), as shown.



ASSEMBLY STEPS

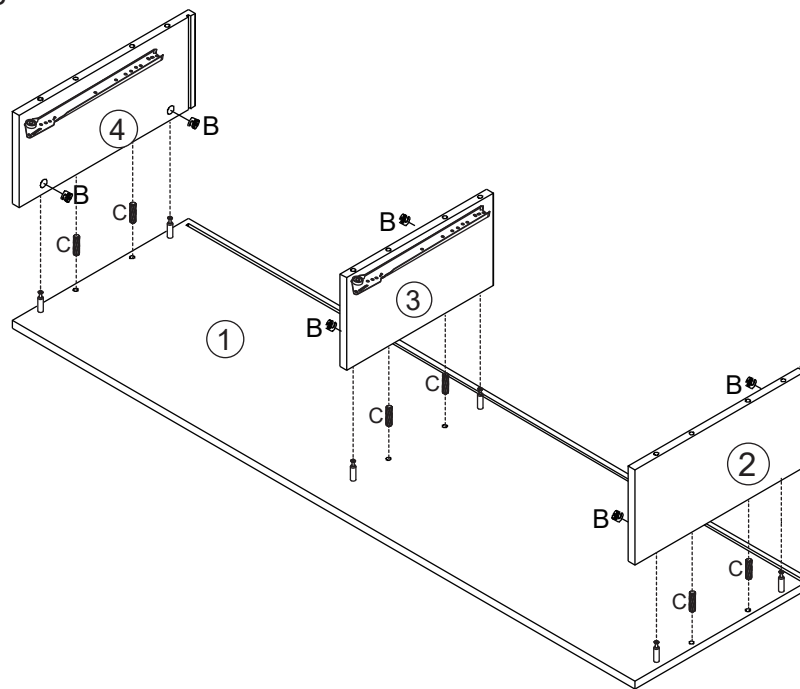
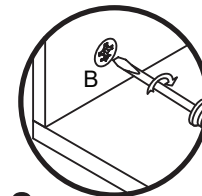
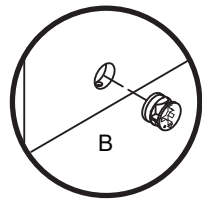
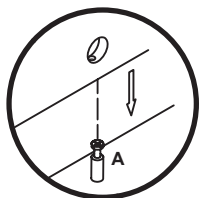
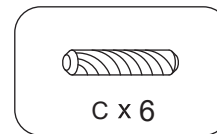
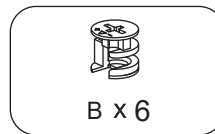
STEP 7.

Insert wooden dowels (C) to part 1.

Insert cam locks (B) into part 2, 3 and 4.

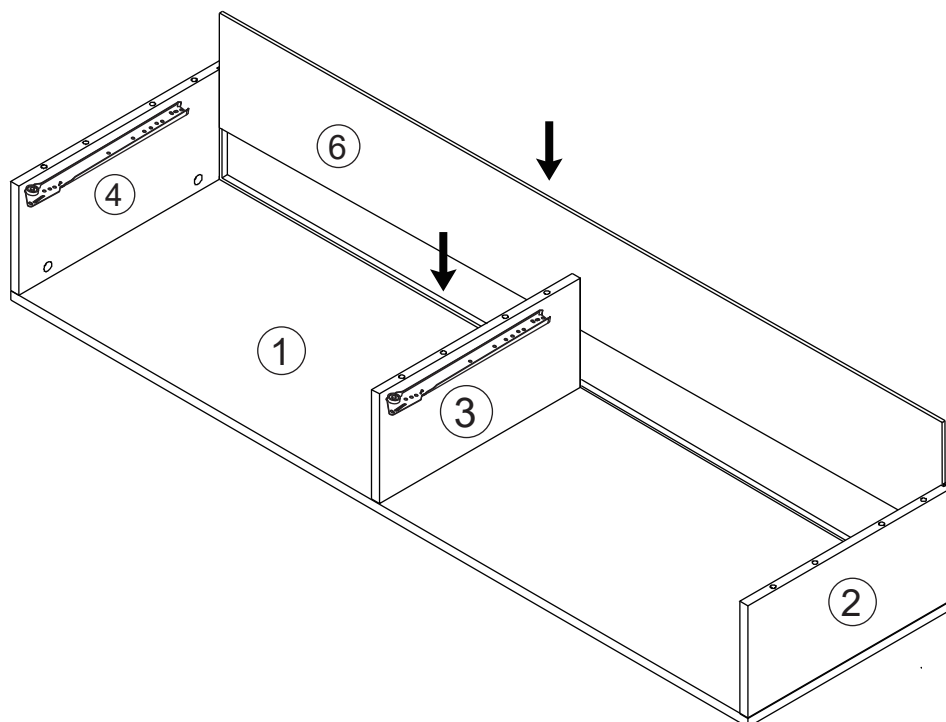
Fit parts 2, 3 and 4 to part 1, as shown.

Turn cam locks clockwise to tighten.



STEP 8.

Slide part 6 into grooves between parts 2, 4 and 1, as shown.

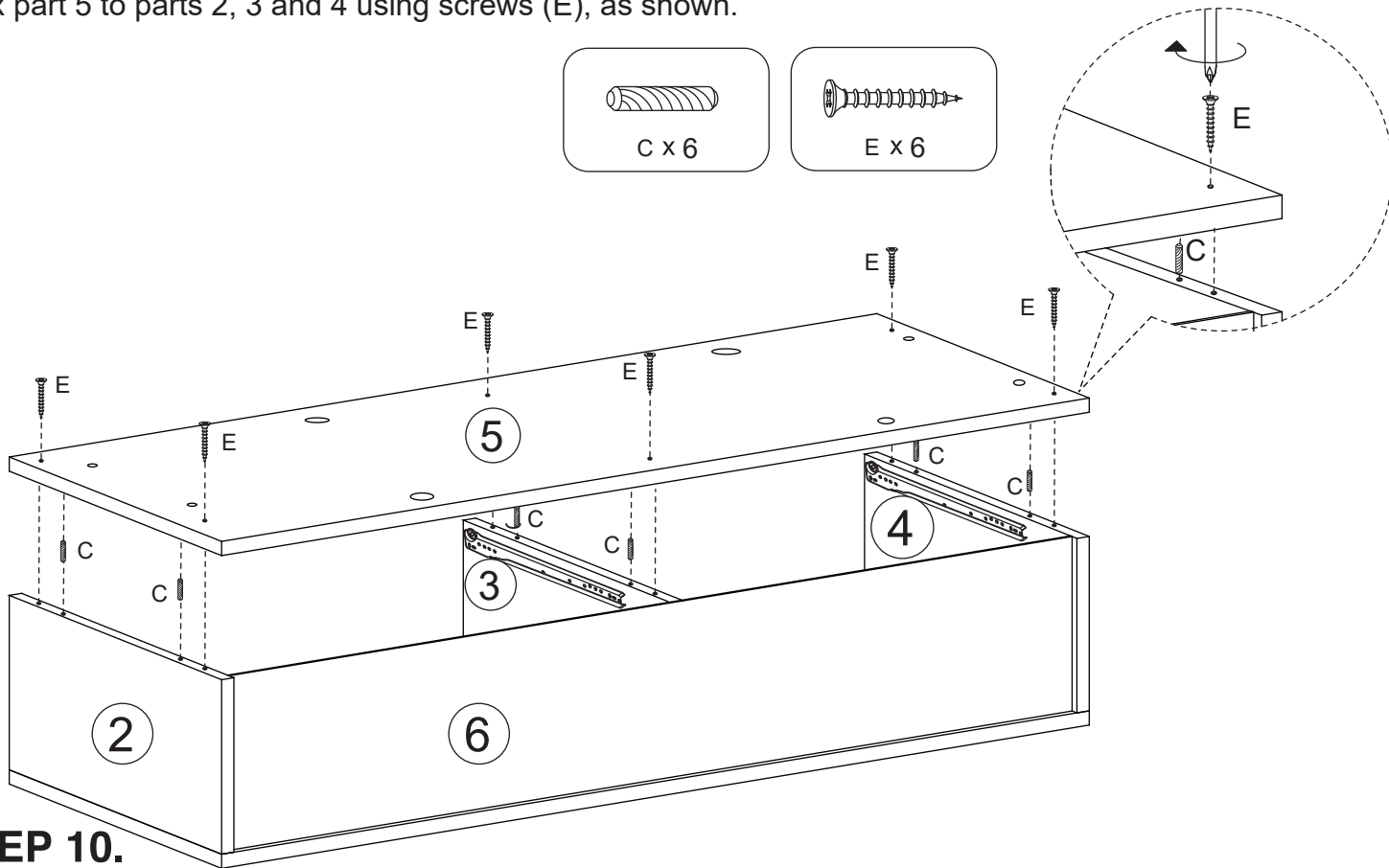


ASSEMBLY STEPS

STEP 9.

Insert wooden dowels (C) into parts 2, 3 and 4.

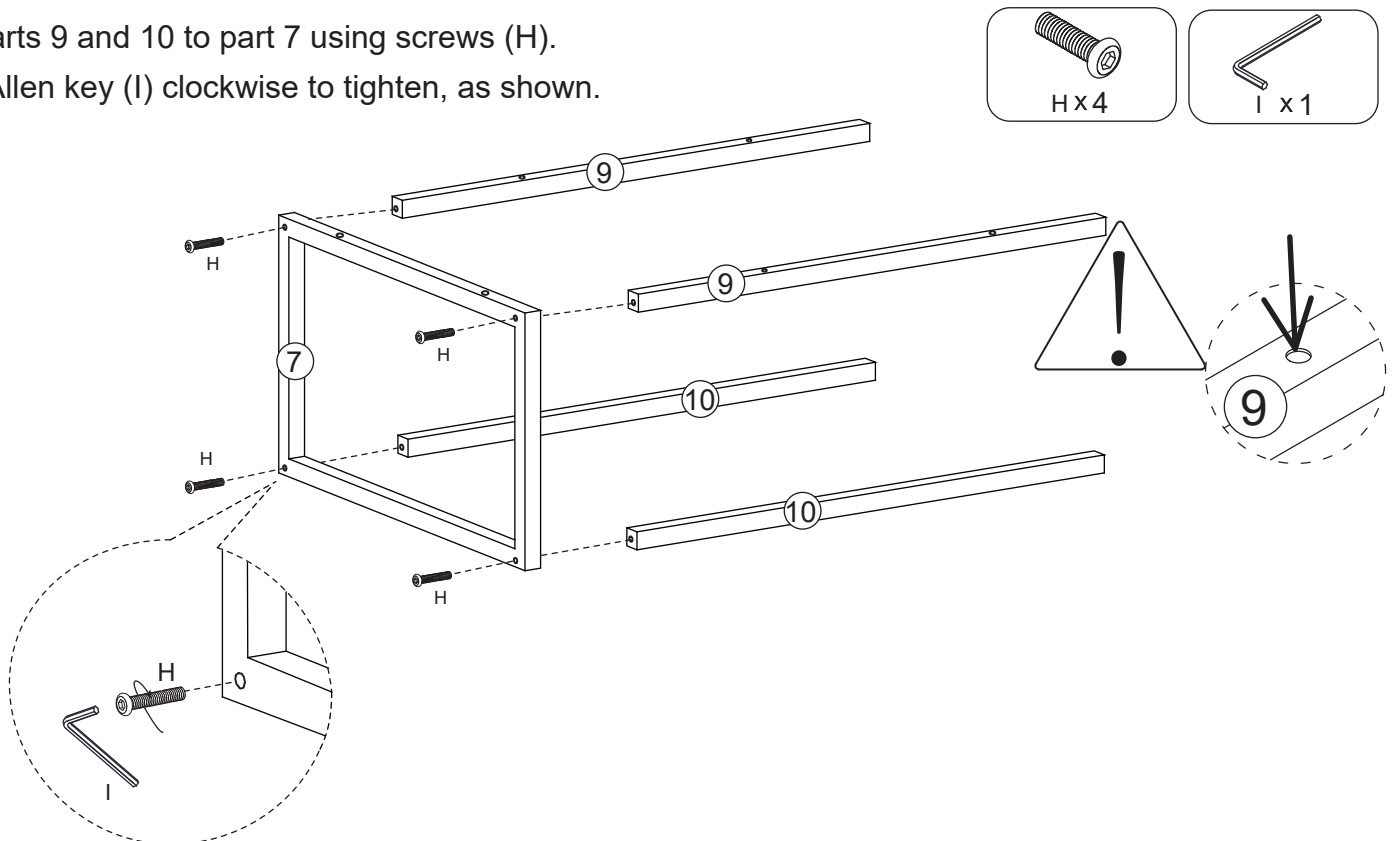
Fix part 5 to parts 2, 3 and 4 using screws (E), as shown.



STEP 10.

Fix parts 9 and 10 to part 7 using screws (H).

Turn Allen key (I) clockwise to tighten, as shown.

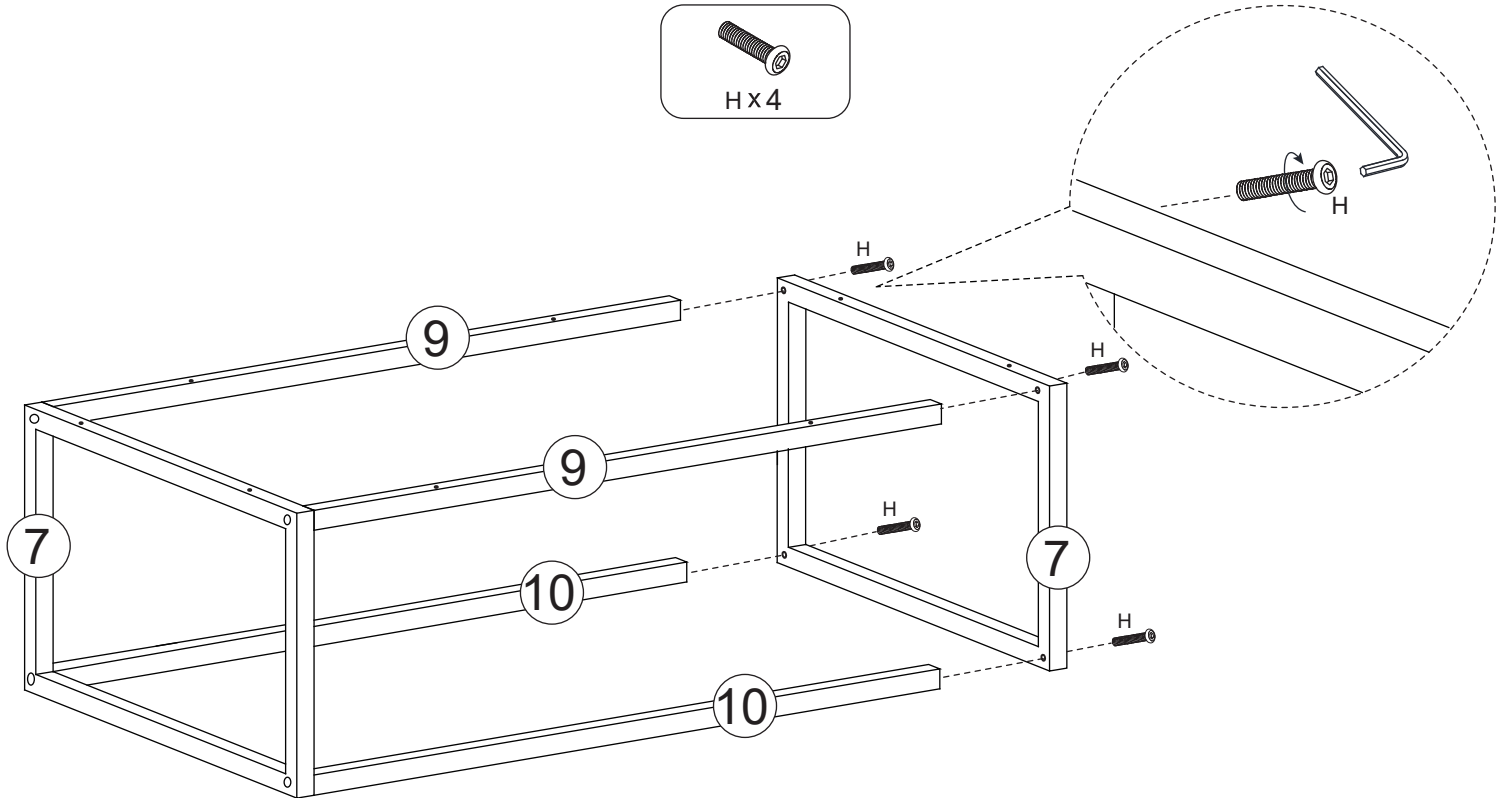


ASSEMBLY STEPS

STEP 11.

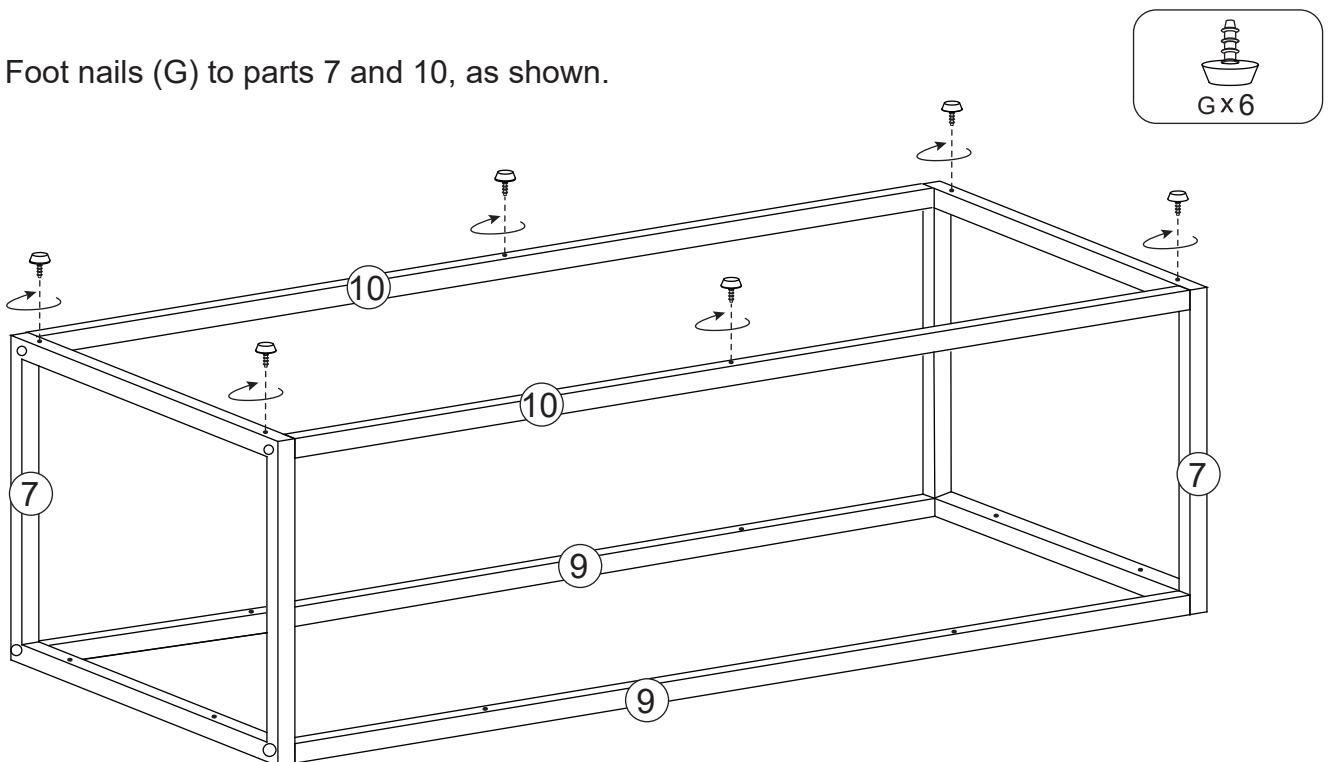
Fix parts 9 and 10 to part 7 using screws (H).

Turn Allen key (I) clockwise to tighten, as shown.



STEP 12.

Insert Foot nails (G) to parts 7 and 10, as shown.

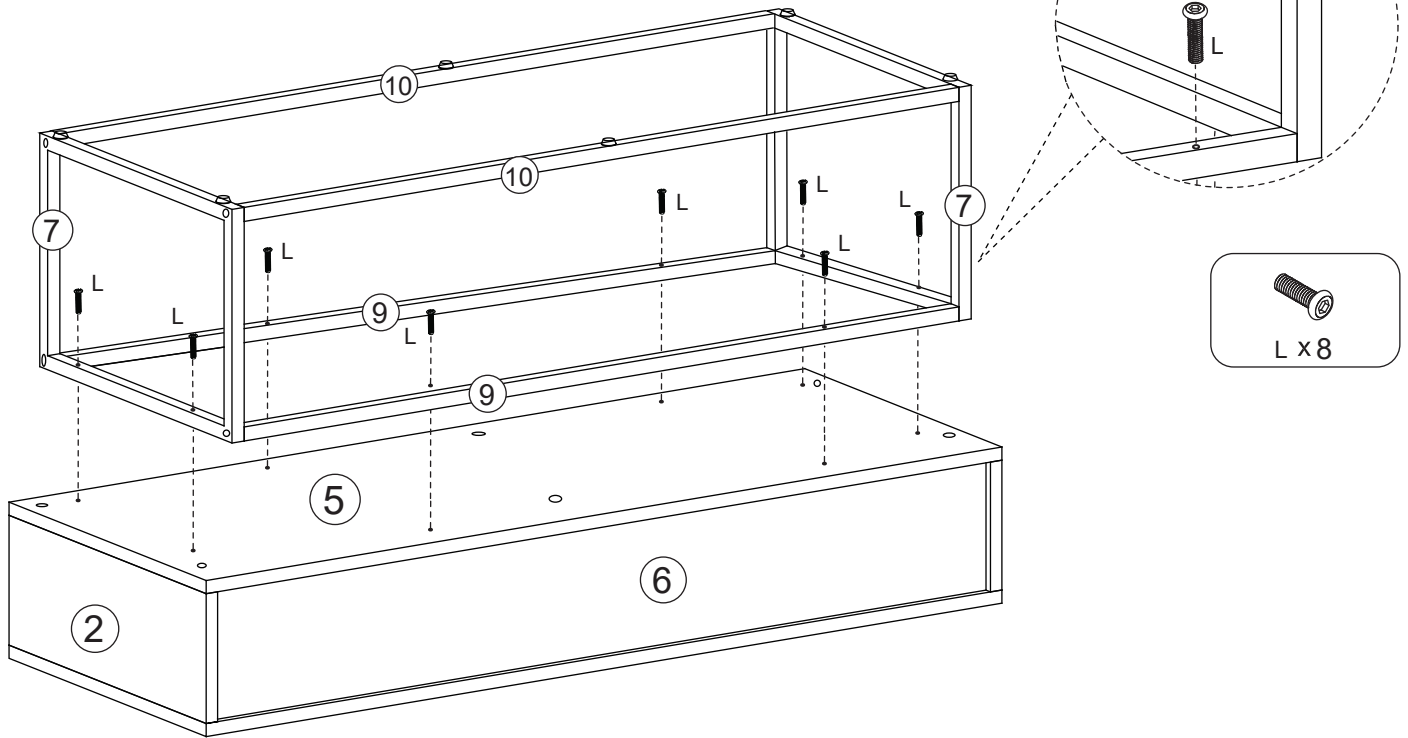


ASSEMBLY STEPS

STEP 13.

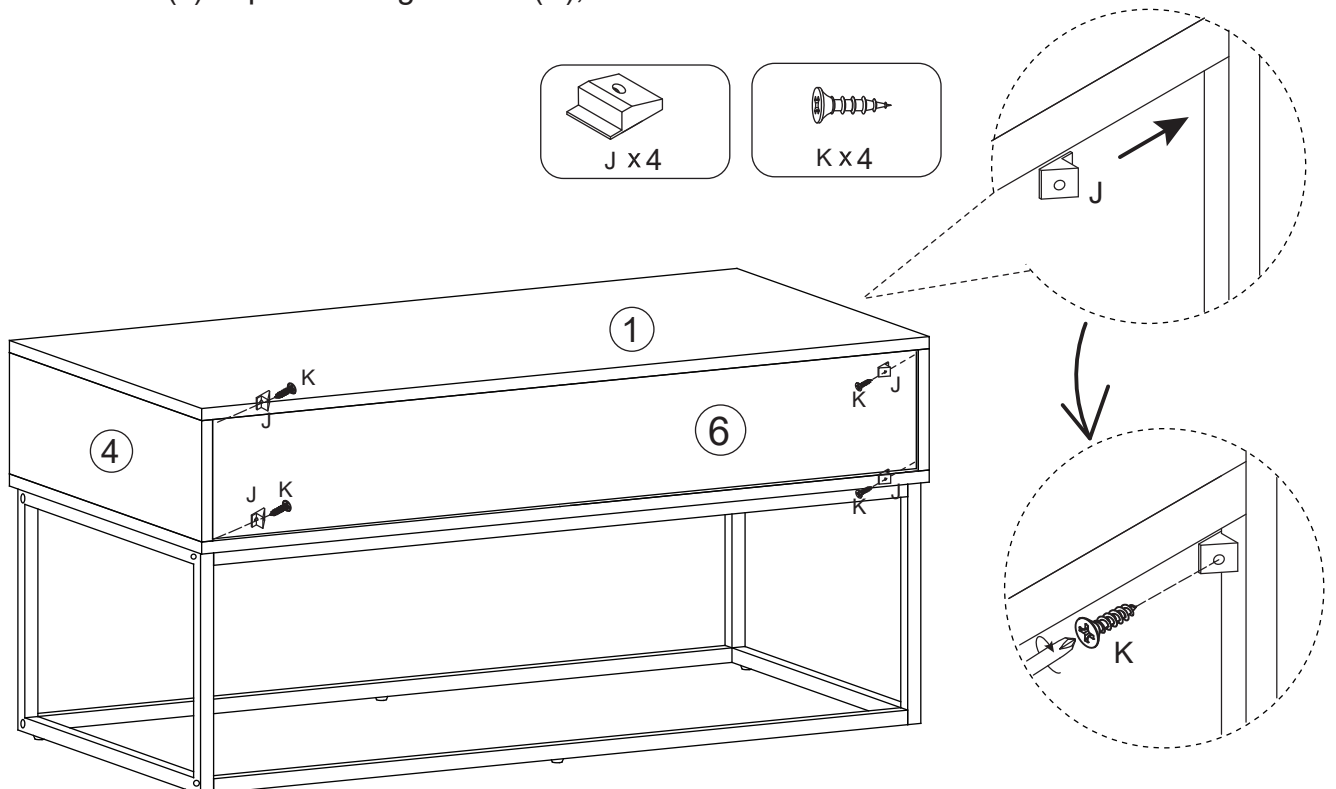
Fix Iron frame to part 5 using screws (L).

Turn Allen key (I) clockwise to tighten, as shown.



STEP 14.

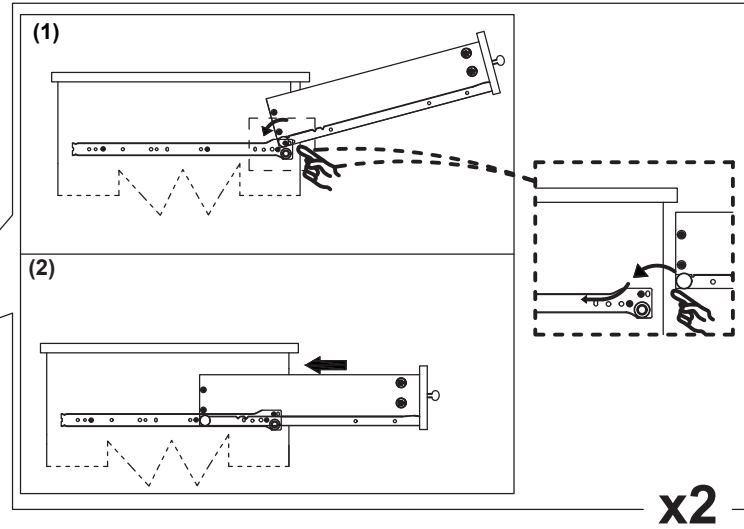
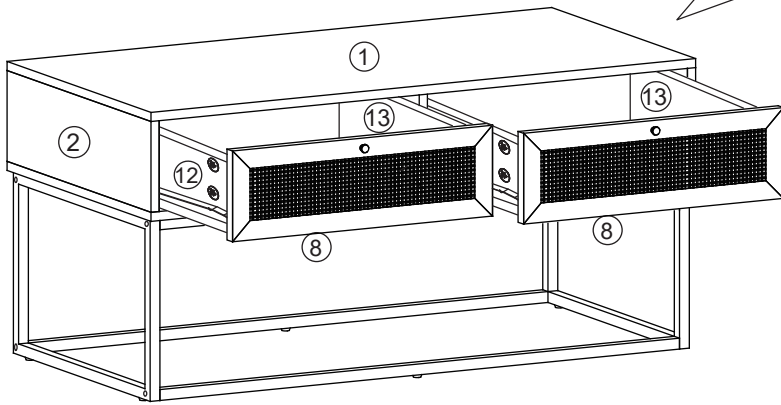
Fix corner brackets (J) to part 6 using screws (K), as shown.



ASSEMBLY STEPS

STEP 15.

Fit drawers into the assembled unit, as shown.



STEP 16.

Your Coffee Table is ready for use.

