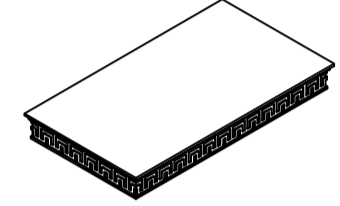
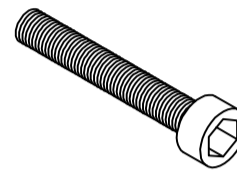
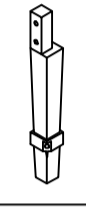
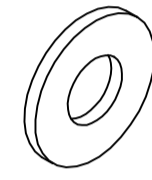
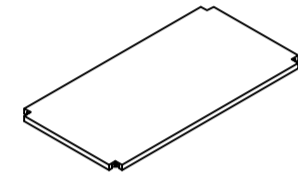

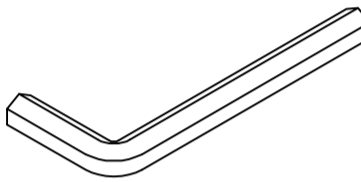
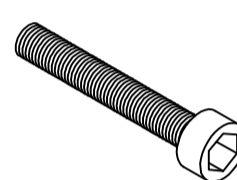


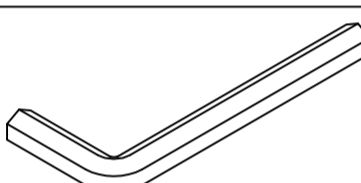


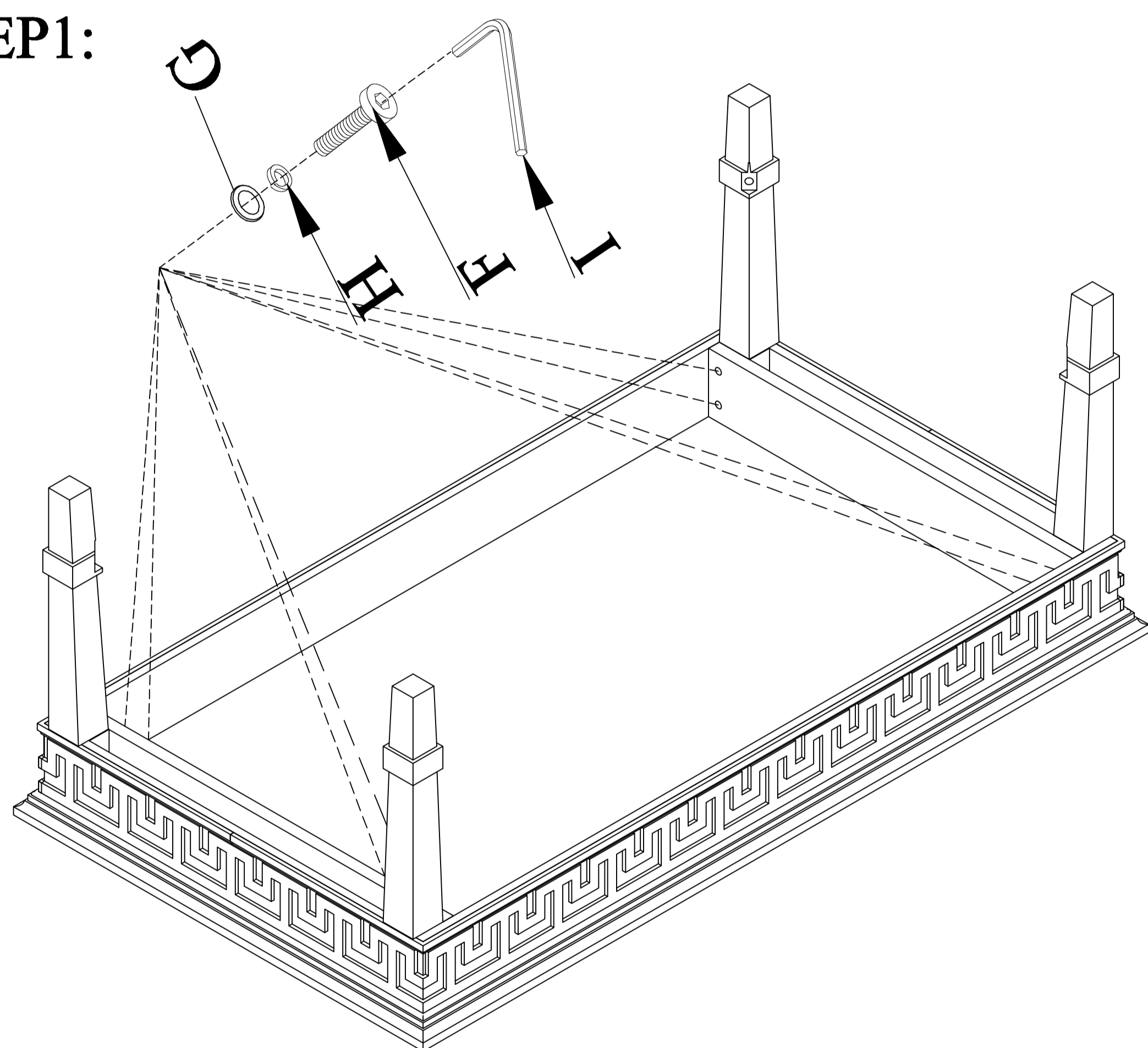
Assembly Instructions

Item No. 60231

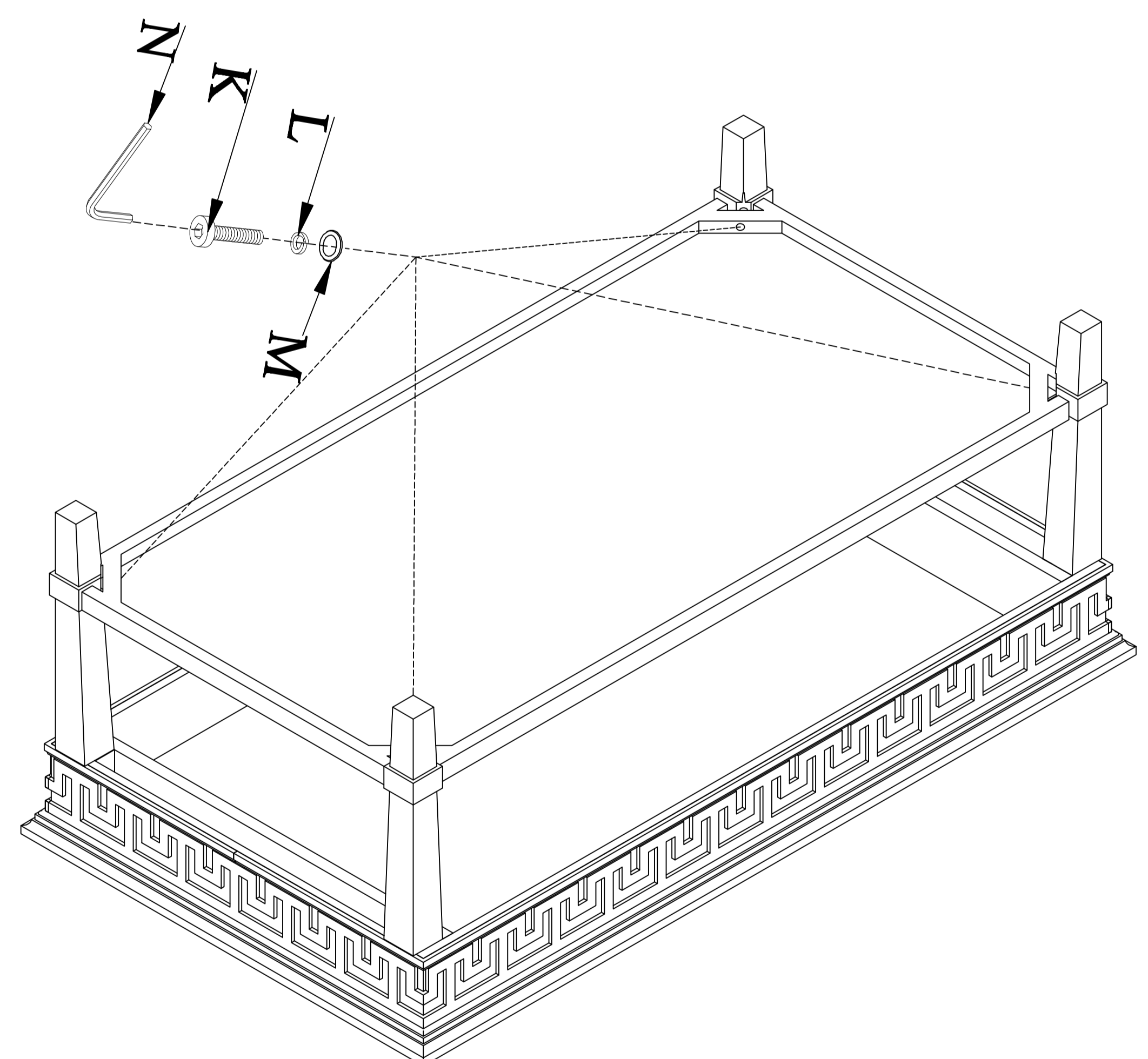
Thank you for Purchasing this quality product. Be sure to check all packing material carefully for small parts that may have come loose inside the carton during shipment. Note! Loosely thread all screws/bolts first. Once the item is assembled then completely tighten.)

Parts List				Hardware List				
NO.	Sketch	Description	Quantity	NO.	Sketch	Description	Size	Quantity
A		TOP	1 pc	F		Bolt	5/16*1.25	8pcs
B		Feet-1	4pcs	G		Flat Washer	5/16	8pcs
C		SHELF	1 pc	H		Spring Washer	5/16	8pcs
				I		Allen Key	3/16"	1pc
				K		Bolt	1/4*1.25	4pcs
				L		Flat Washer	1/4	4pcs
				M		Spring Washer	1/4	4pcs
				N		Allen Key	1/8"	1pc

STEP1:



STEP2:



STEP3:

