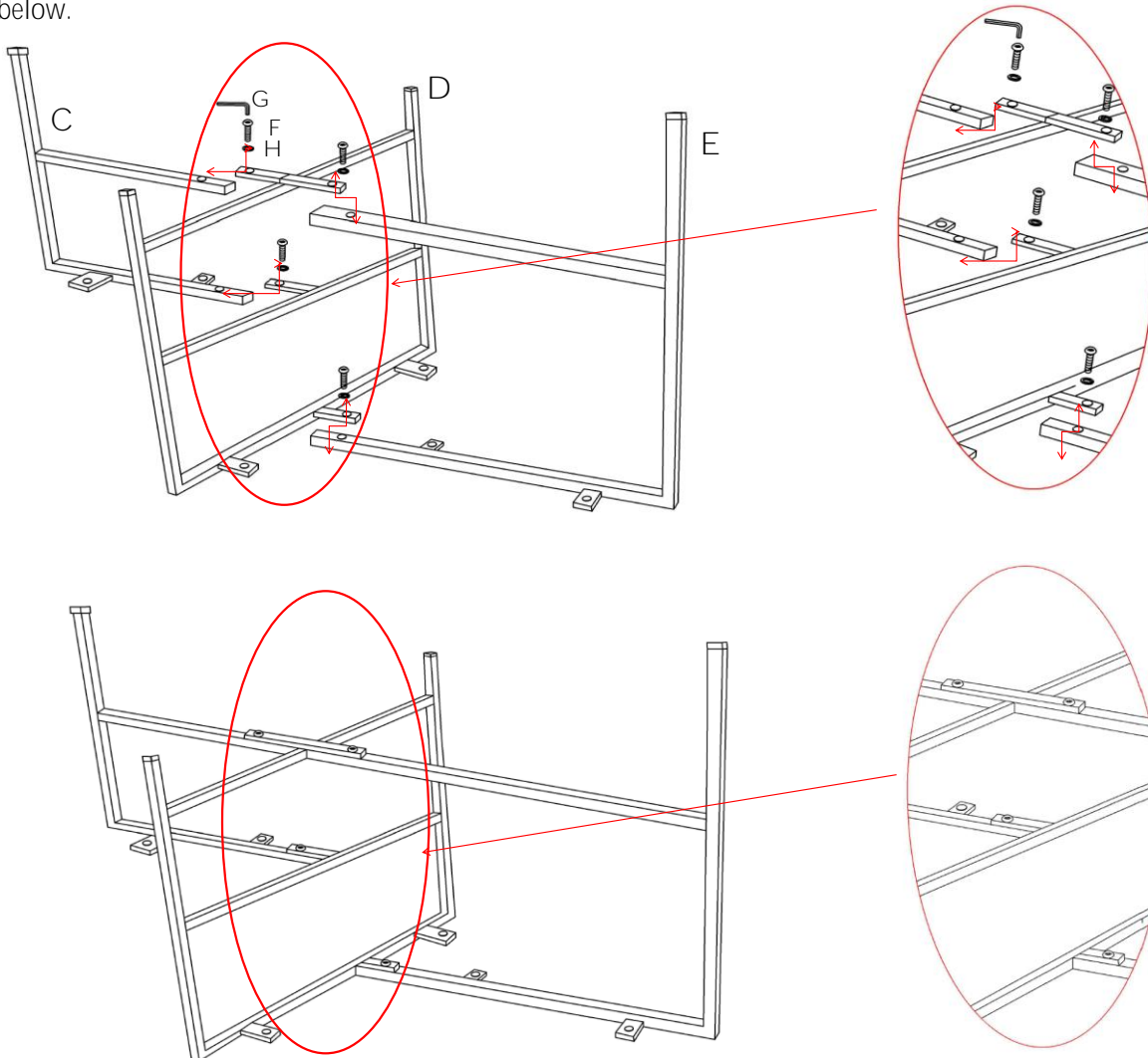


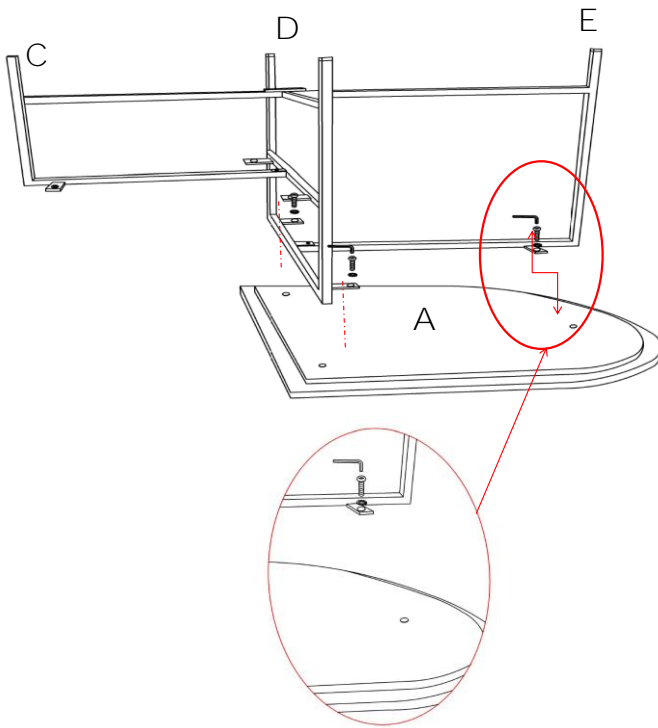
Thank you for purchasing this quality product. Be Sure to check all packing material carefully for small parts that may have come loose inside the carton during shipment. ( Note : Loosely thread all screws / bolts first. Once the Item is assembled then completely tighten.)

PARTS LIST :				HARDWARE LIST :				
NO.	DESCRIPTION	SKETCH	QTY	NO.	DESCRIPTION	SKETCH	SIZE	QTY
A	MARBLE TOP		1	F	BOLT		8/16"	16+1
B	MARBLE TOP		1	G	ALLEN WRENCH		5 mm	1
C	LEG - 1		1	H	FLAT WASHER		5 mm	16+1
D	LEG - 2		1					
E	LEG - 3		1					

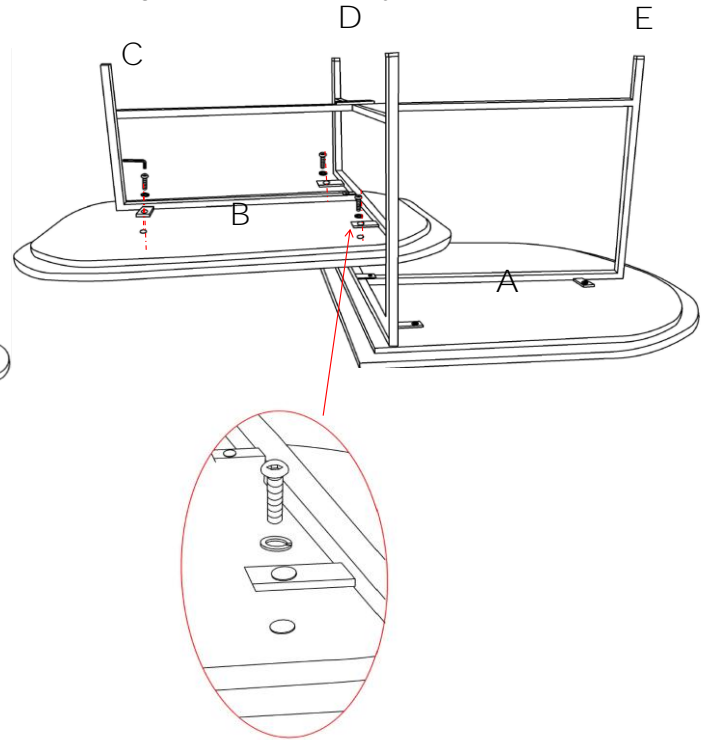
STEP:1 Fix the Iron Leg-1 (F) with the Iron Leg-2 (G) Match the holes and screw the bolt C (6/16") and Repeat process same as with Iron Leg -2 (G) with Iron Leg -3 (H) match the holes and tight it with allen key as shown below.



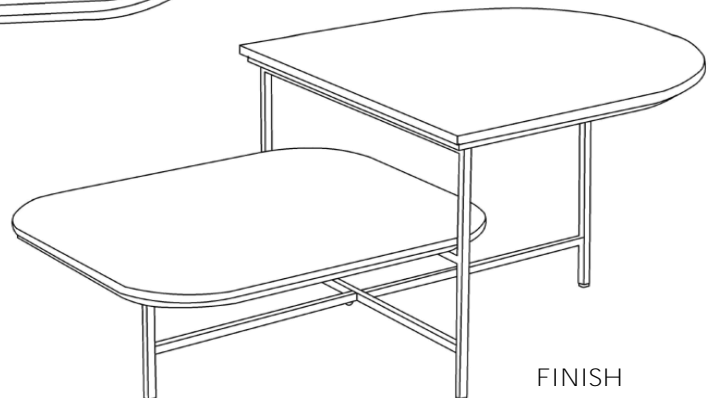
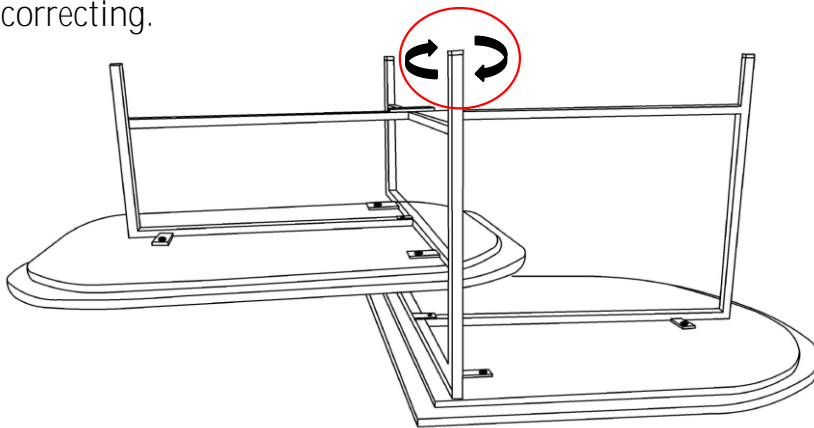
STEP:2 Fix the iron Legs-3(E) side to the Marble top (A) Match the holes and screw the bolt (6/16") and tight it with allen key as shown below.



STEP:3 Fix the iron Legs-2(C) side to the Marble top (B) Match the holes and screw the bolt (6/16") and tight it with allen key as shown below.



Tip A: Sometimes the Table will not balance because of an uneven floor surface the furniture rests on. In that case, try adjusting the levelers found on the bottom of each foot to aid in correcting.



FINISH