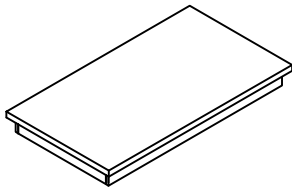
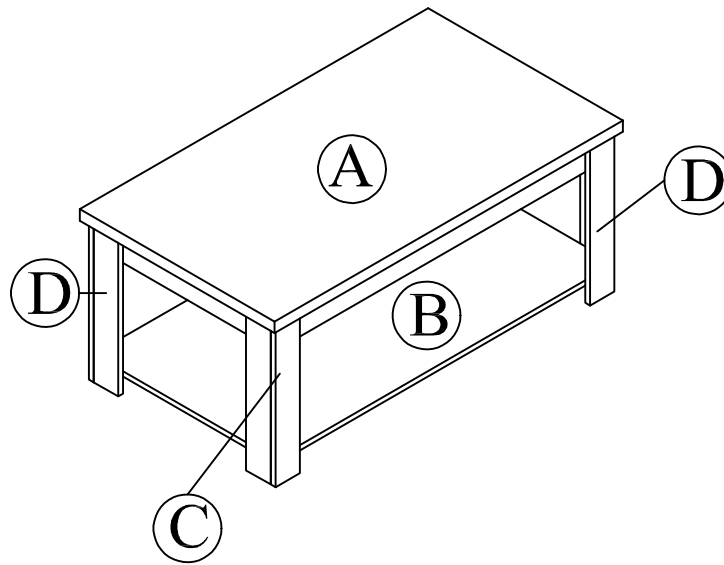


PART LIST / LISTE DES PIÈCES / LISTA DE PIEZAS (CT 8011)

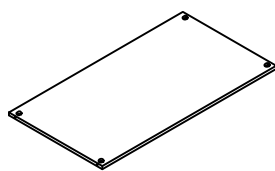
ITEM NO. / ARTICLE NO. / ARTICULO NO : #J008-100-002/003/004

DESCRIPTION / DESCRIPCIÓN : BASIC COFFEE TABLE / TABLE BASSE/ MESITA DE CENTRO



A

RJ008-100-002-TOP
RJ008-100-003-TOP
RJ008-100-004-TOP
x1 Table Top
x1 Dessus de table
x1 Tablero de mesa



B

RJ008-100-002-SHEL
RJ008-100-003-SHEL
RJ008-100-004-SHEL
x1 Shelf
x1 Étagère
x1 Repisa



C

RJ008-100-002-LEGL
RJ008-100-003-LEGL
RJ008-100-004-LEGL
x2 Left Leg
x2 Patte de gauche
x2 Pata izquierda



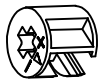
D

RJ008-100-002-LEGR
RJ008-100-003-LEGR
RJ008-100-004-LEGR
x2 Right Leg
x2 Patte de droite
x2 Pata derecha



E

RJ008-100-002-HWKI
RJ008-100-003-HWKI
RJ008-100-004-HWKI
x12 Bolt
x12 Boulon
x12 Perno



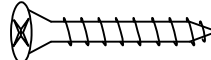
F

RJ008-100-002-HWKI
RJ008-100-003-HWKI
RJ008-100-004-HWKI
x12 Minifix Housing



G

RJ008-100-002-HWKI
RJ008-100-003-HWKI
RJ008-100-004-HWKI
x4 Plastic Cap
x4 Capuchon en plastique
x4 Tapa de plastico



H

RJ008-100-002-HWKI
RJ008-100-003-HWKI
RJ008-100-004-HWKI
x17 Screw M4 x 28mm
x17 Vis M4 x 28mm
x17 Tornillo M4 x 28mm



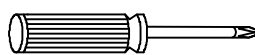
I

RJ008-100-002-CELE
RJ008-100-003-CELE
RJ008-100-004-CELE
x1 Center Support Leg
x1 Support central
x1 Soporte para la pata central



J

RJ008-100-002-HWKI
RJ008-100-003-HWKI
RJ008-100-004-HWKI
x1 Allen Wrench M4 X 65mm
x1 Clé hexagonale M4 X 65mm
x1 Llave Allen M4 X 65mm



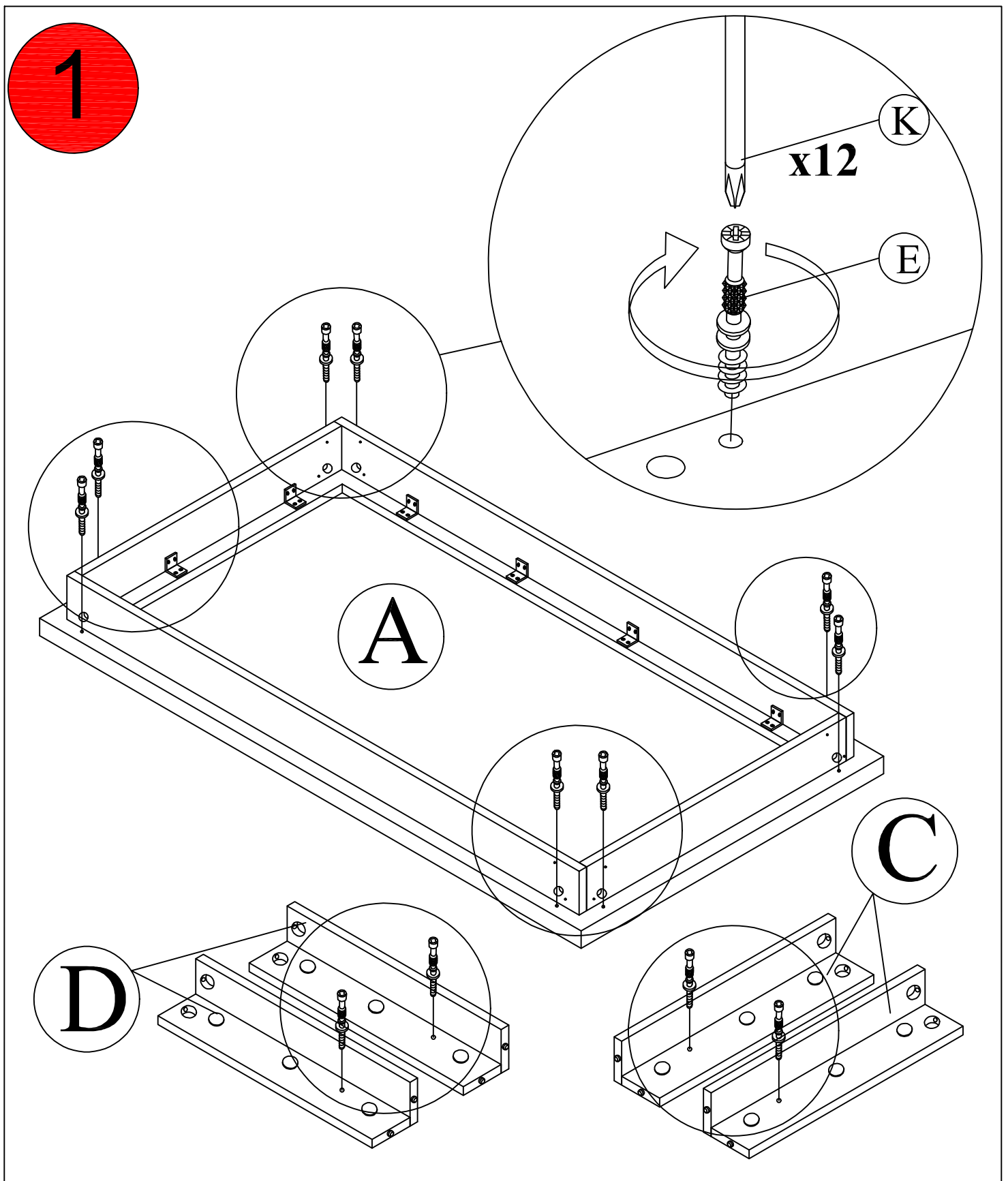
K

x1 Philips Head Screwdriver
(Not Provided)
x1 Tournevis Phillips
(Outils non fournis)
x1 Destornillador de estrella
(No están incluidas las herramientas)

ASSEMBLY INSTRUCTIONS / NOTICE DE MONTAGE / INSTRUCCIONES DE MONTAJE

ITEM NO. / ARTICLE NO. / ARTICULO NO : #J008-100-002/003/004

DESCRIPTION / DESCRIPCIÓN : BASIC COFFEE TABLE / TABLE BASSE/ MESITA DE CENTRO



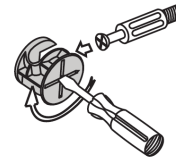
ASSEMBLY INSTRUCTIONS / NOTICE DE MONTAGE / INSTRUCCIONES DE MONTAJE

ITEM NO. / ARTICLE NO. / ARTICULO NO : #J008-100-002/003/004

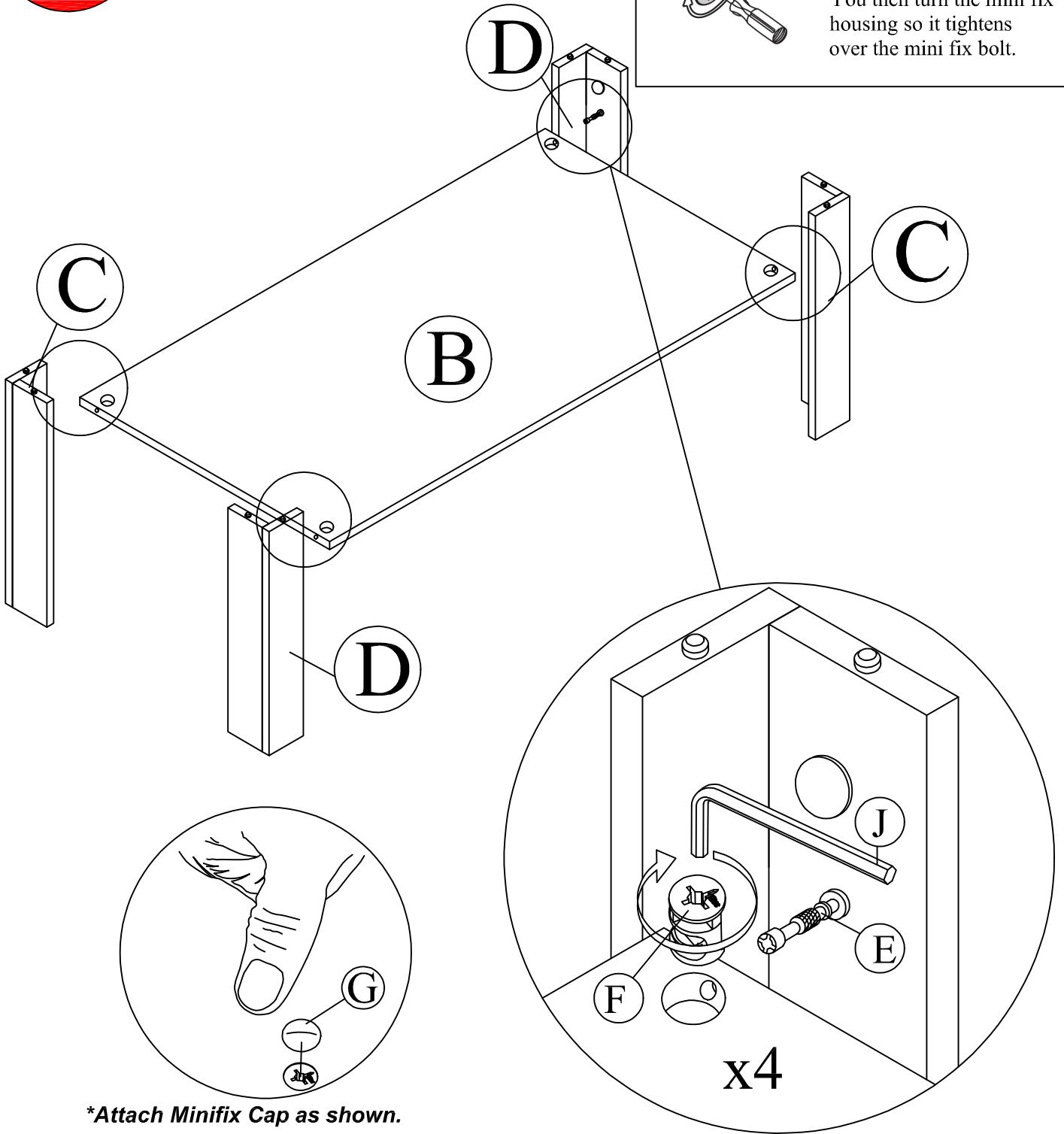
DESCRIPTION / DESCRIPCIÓN : BASIC COFFEE TABLE / TABLE BASSE/ MESITA DE CENTRO

2

This is how a mini fix works...



The head of the mini fix housing goes into the open mouth of the mini fix bolt. You then turn the mini fix housing so it tightens over the mini fix bolt.



**Attach Minifix Cap as shown.*

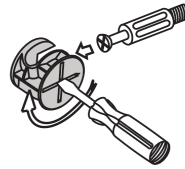
ASSEMBLY INSTRUCTIONS / NOTICE DE MONTAGE / INSTRUCCIONES DE MONTAJE

ITEM NO. / ARTICLE NO. / ARTICULO NO : #J008-100-002/003/004

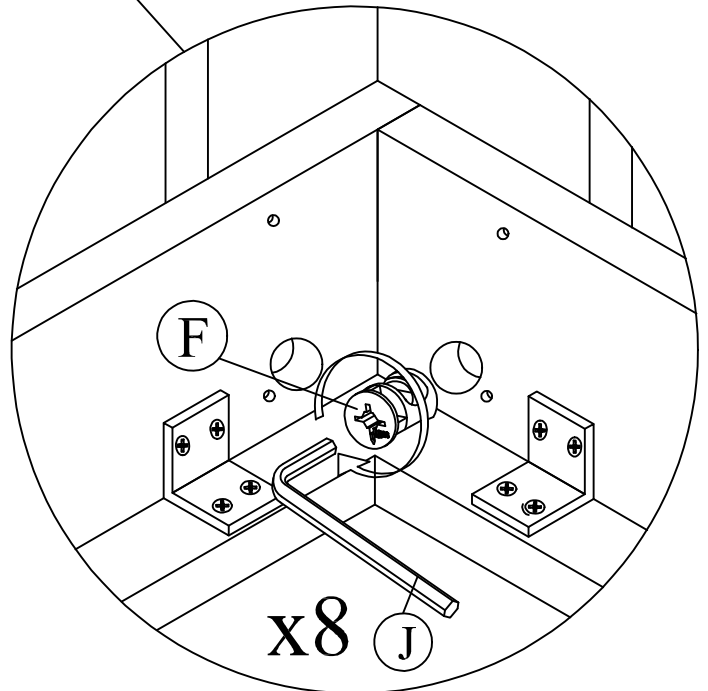
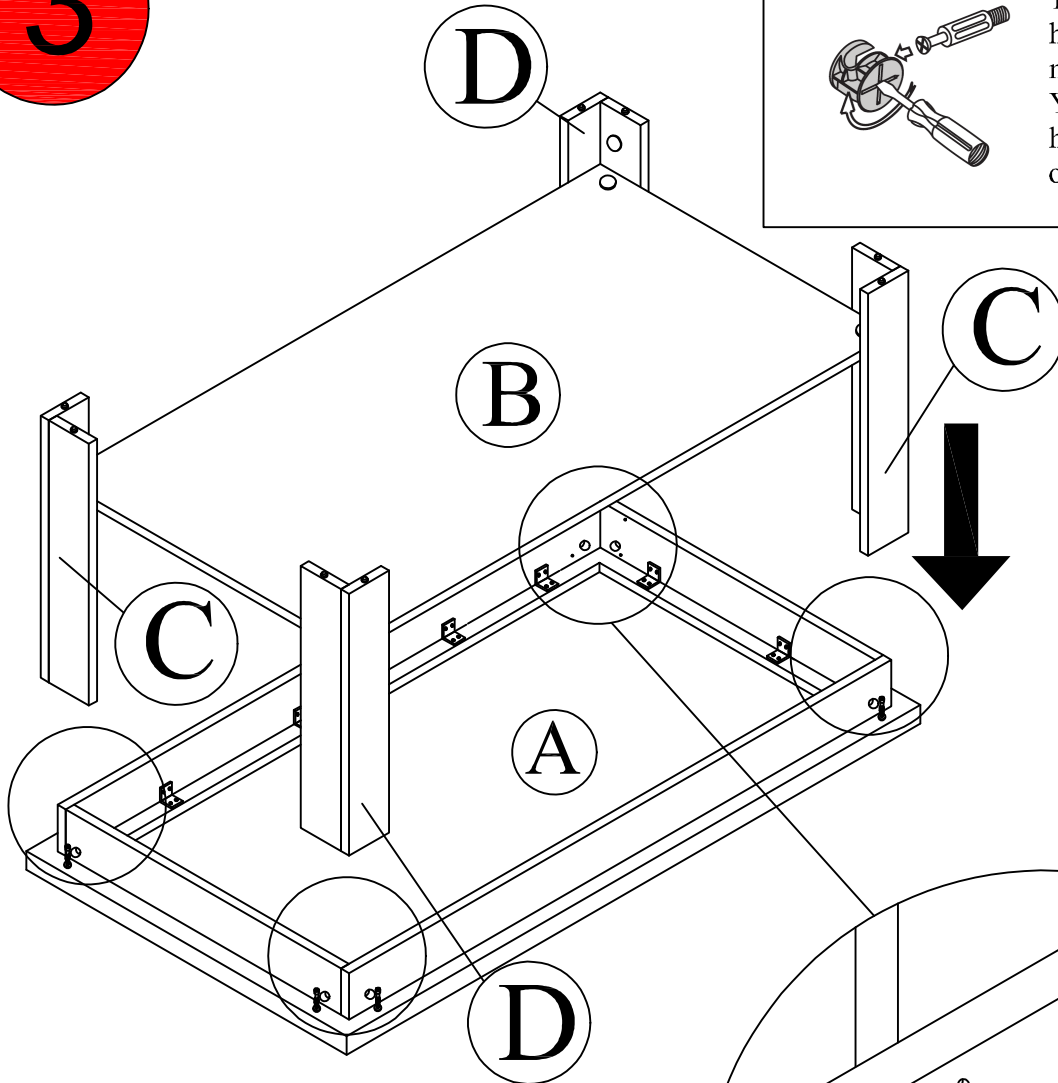
DESCRIPTION / DESCRIPCIÓN : BASIC COFFEE TABLE / TABLE BASSE/ MESITA DE CENTRO

3

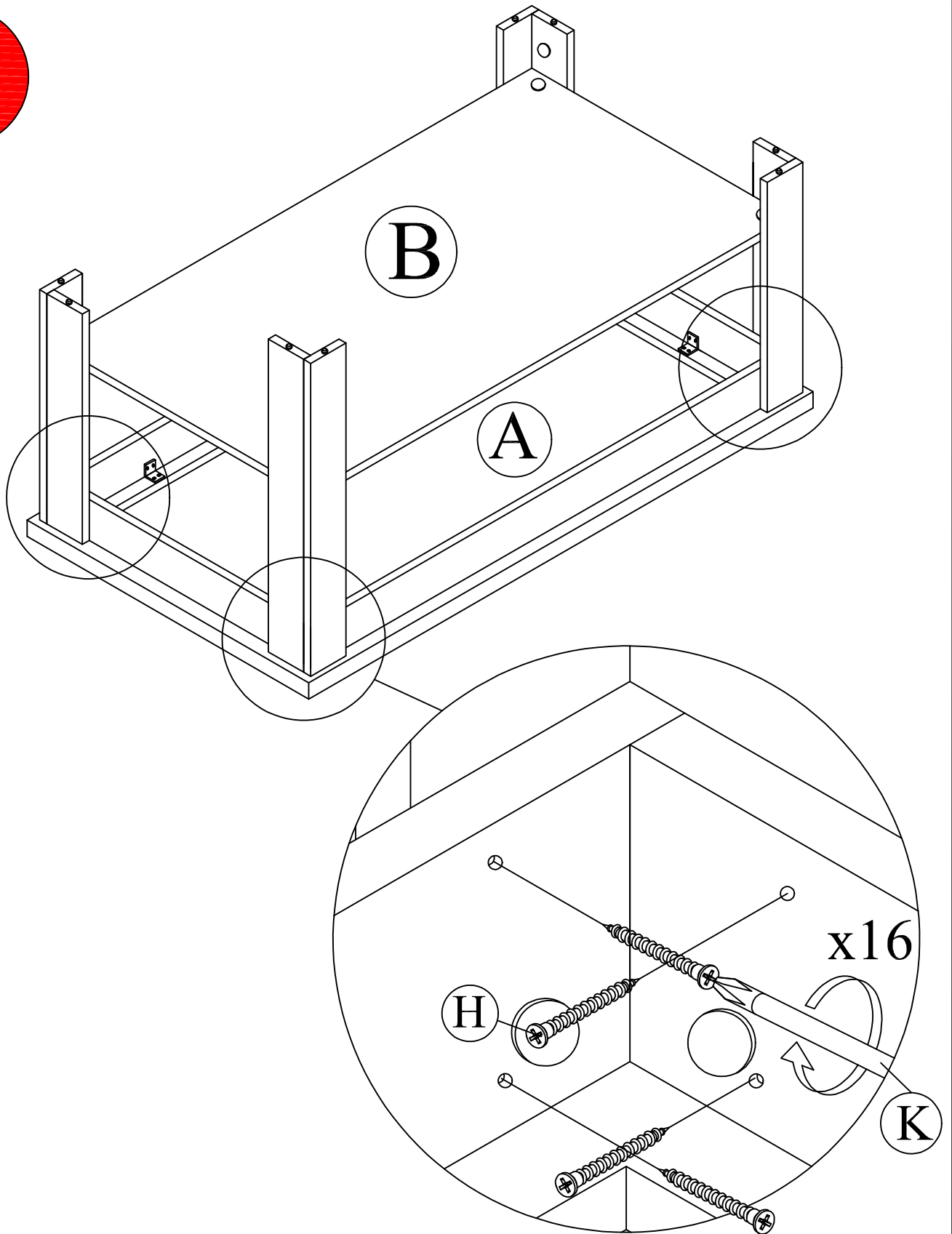
This is how a mini fix works...



The head of the mini fix housing goes into the open mouth of the mini fix bolt. You then turn the mini fix housing so it tightens over the mini fix bolt.



4



5

