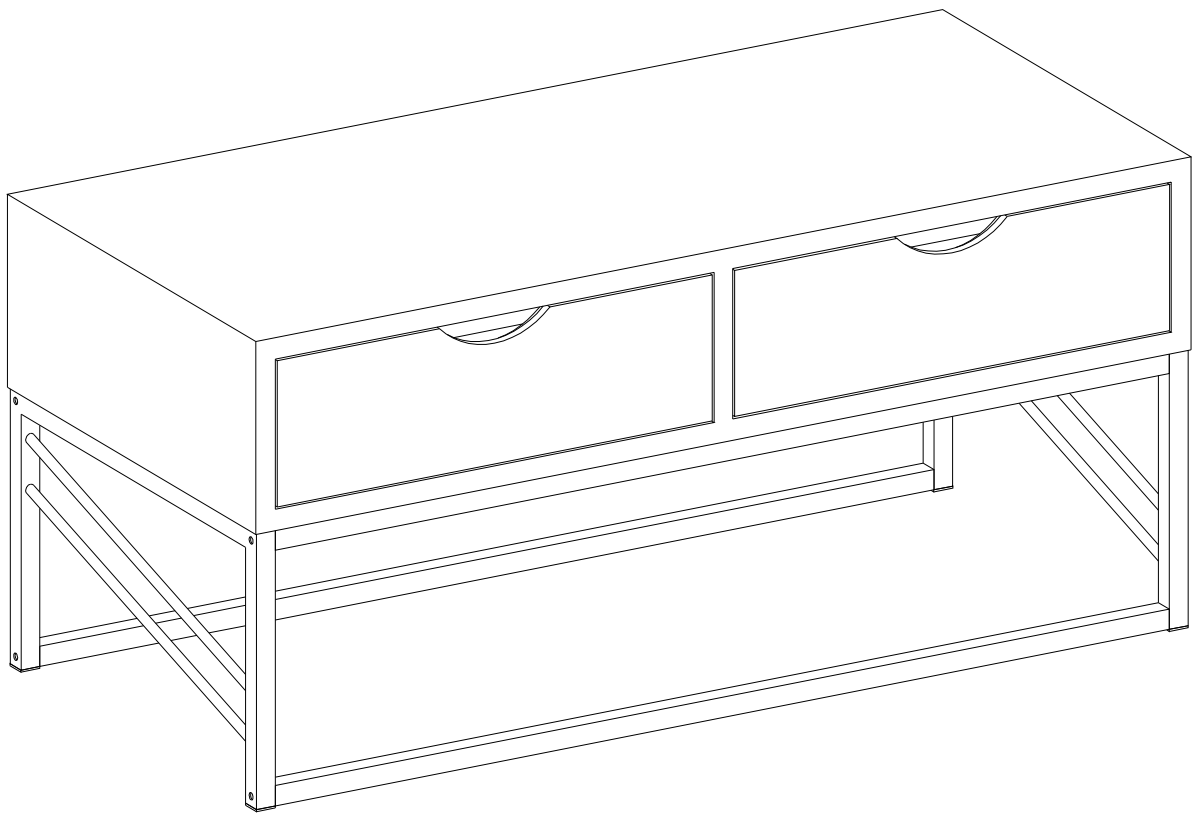


Item # : AFVET2DRCT

Assembly Instructions



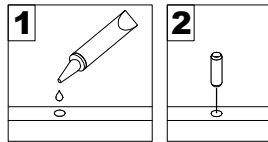
Walker Edison®

Please visit our website for the most current instructions, assembly tips, report damage, or request parts. www.walkeredison.com

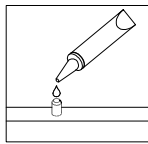
Revised 17/08/2020 (1)

General Assembly Guidelines

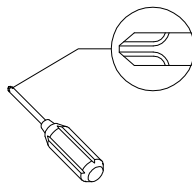
- I. Ensure that all parts and hardware are available before beginning assembly.
- II. Follow each step carefully to ensure the proper assembly of this product.
- III. Two people are recommended for ease in the assembly of this product.
- IV. The three main types of hardware used to assemble this product are: wood dowels, screws and bolts.
- V. The provided glue is to secure wood dowels in place. When first inserting dowels, locate the appropriate hole for the dowel, place a small amount of glue in the hole and insert the dowel. Wipe away excess glue immediately.



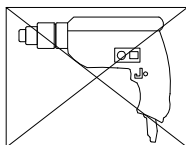
In future assembly steps when dowels are necessary to attach assembly parts together, place a small amount of glue on the end of the dowel before attaching parts together. Wipe away excess glue immediately.



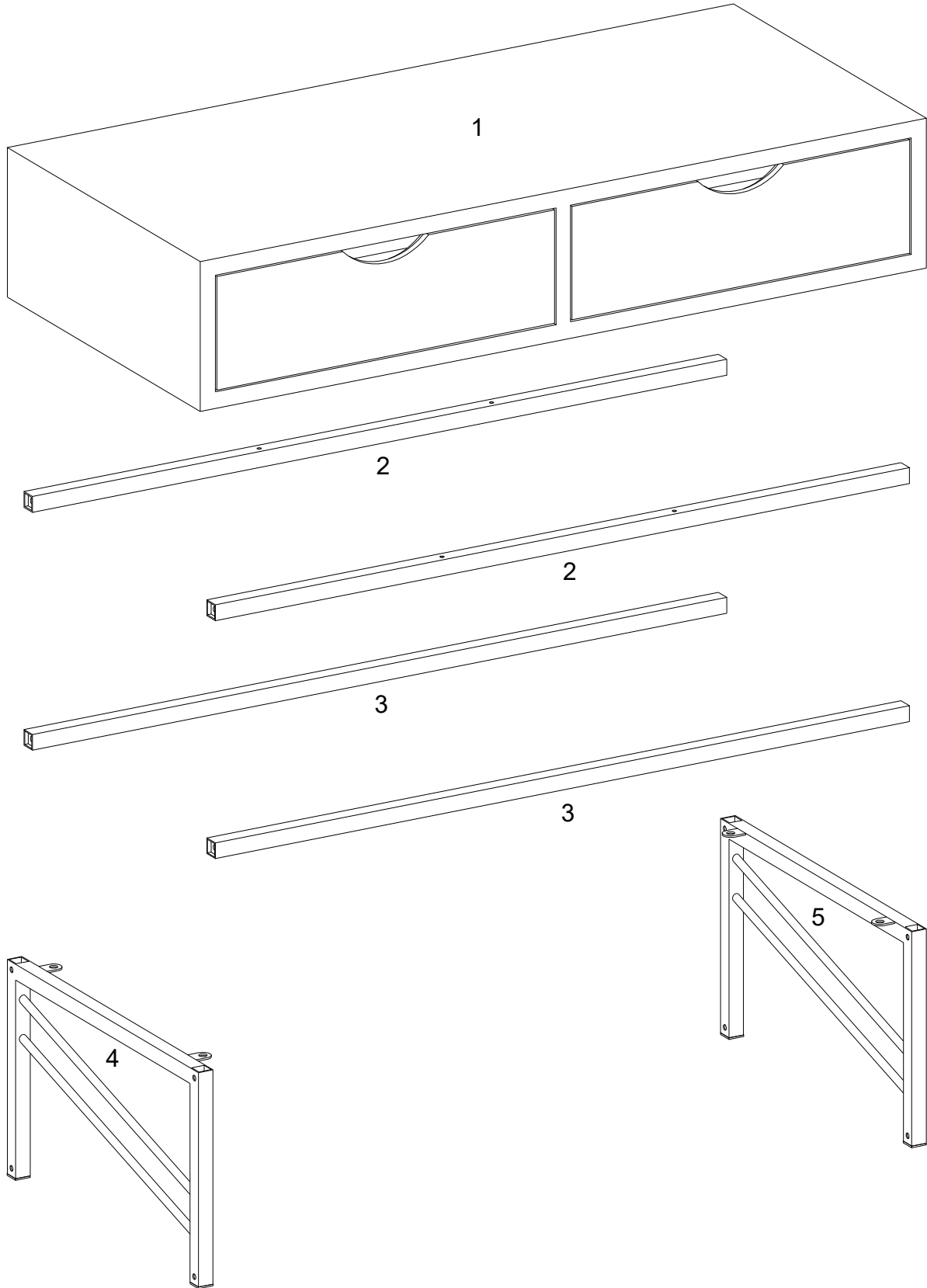
- VI. A Phillips head screwdriver is required for the assembly of this product .






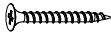

- VII. Power tools should not be used to assemble this product.

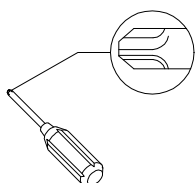


Parts List



Hardware List

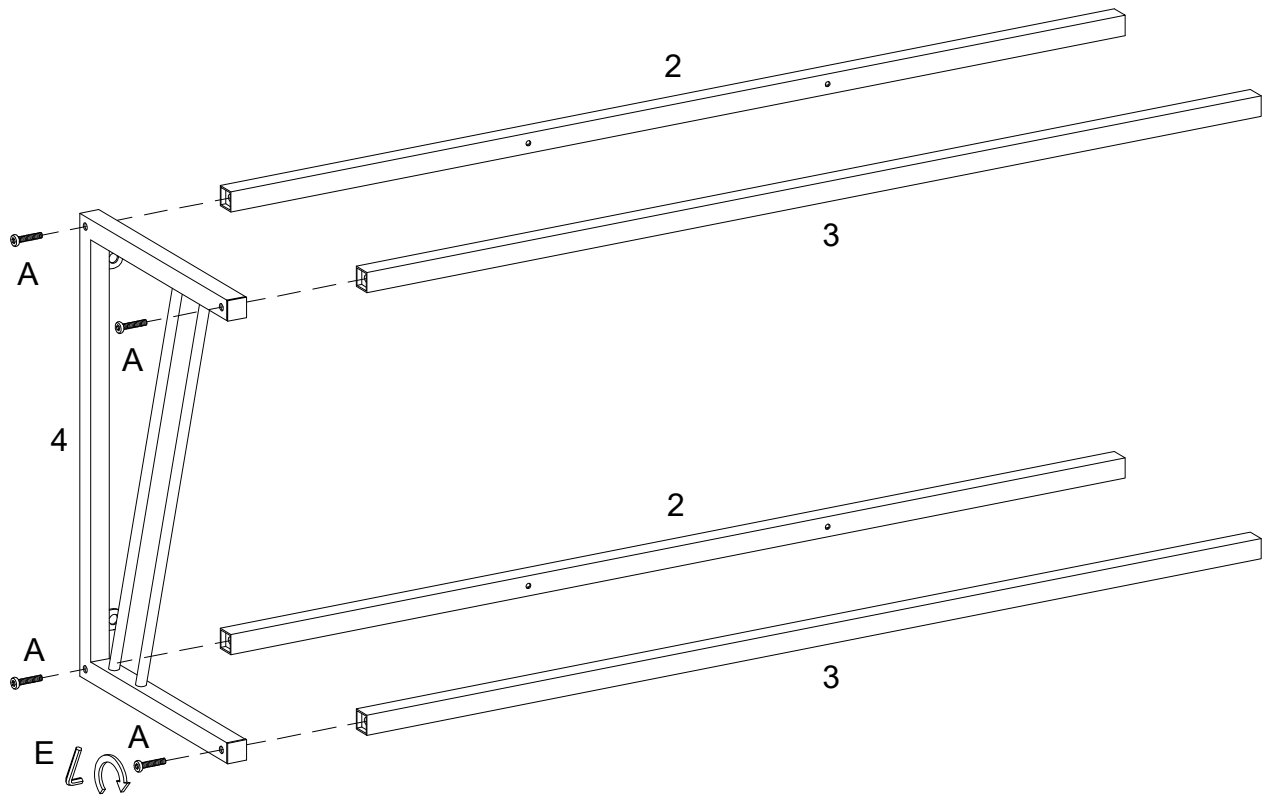
A		M6x35mm	Bolt	8 pcs
B		M6x20mm	Bolt	4 pcs
C			Flat washer	4 pcs
D		Ø4x30mm	Screw	4 pcs
E		M 4	Hex key	1 pc



Philips head screwdriver required for assembly
(not included)

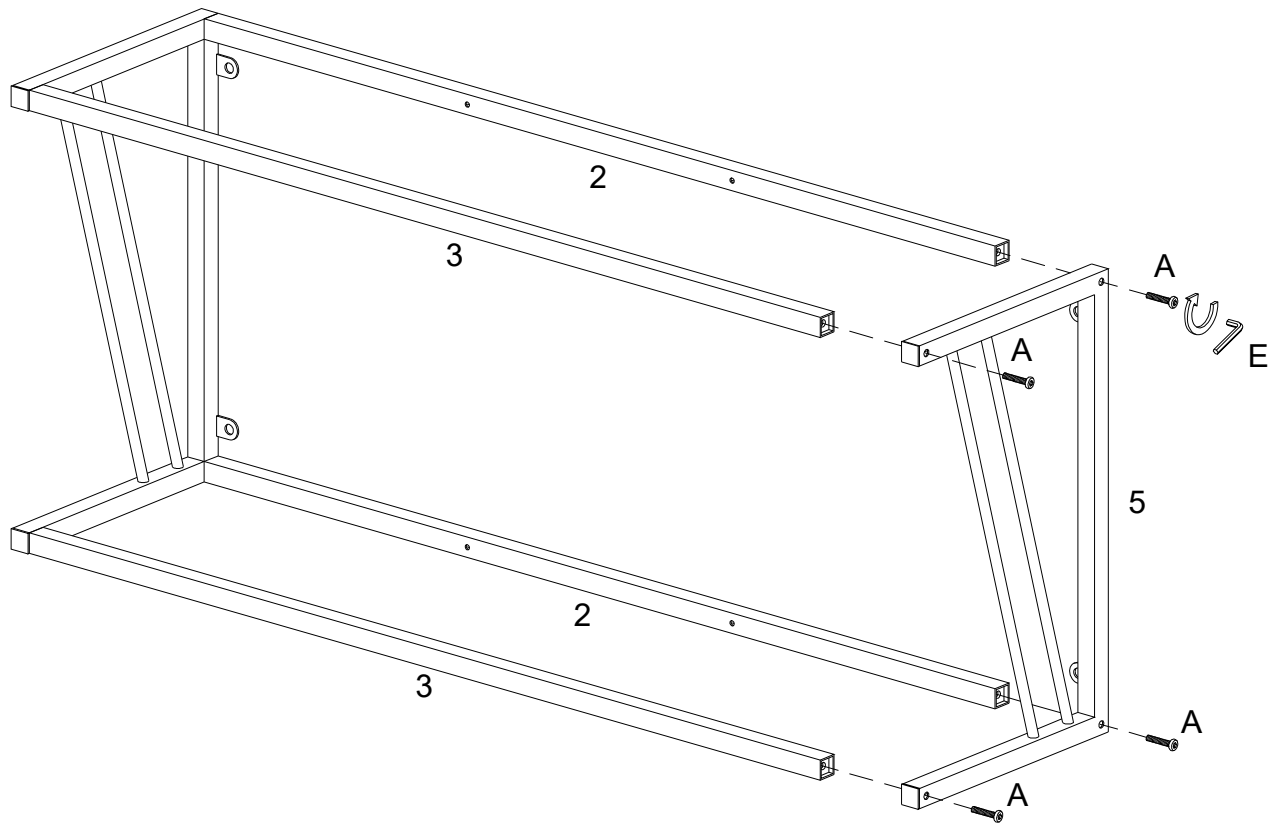
*The hardware quantities listed above are required for proper assembly.
Some extra hardware may also have been included.*

Step 1



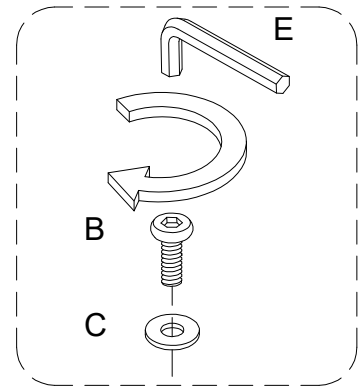
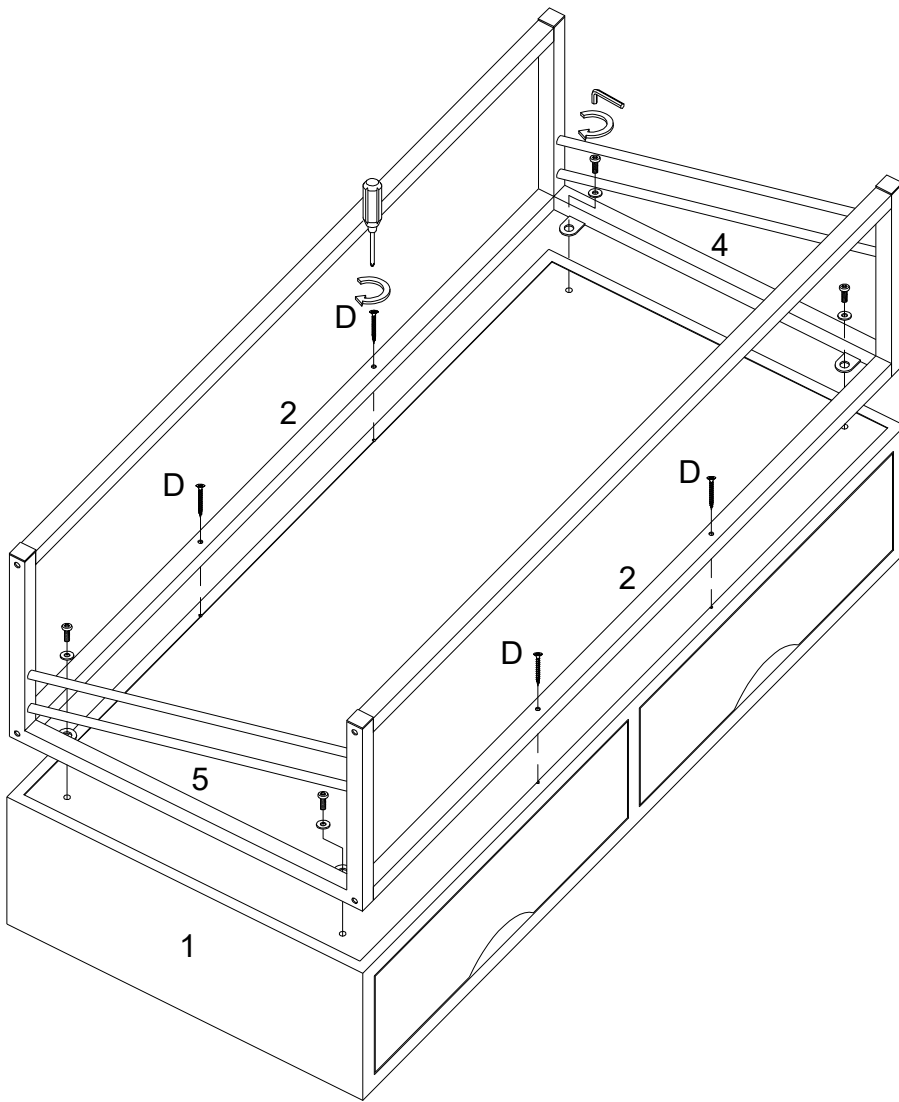
Using bolt (A) attach part (4) to parts (2,3) with Hex key (E) as per diagram.

Step 2



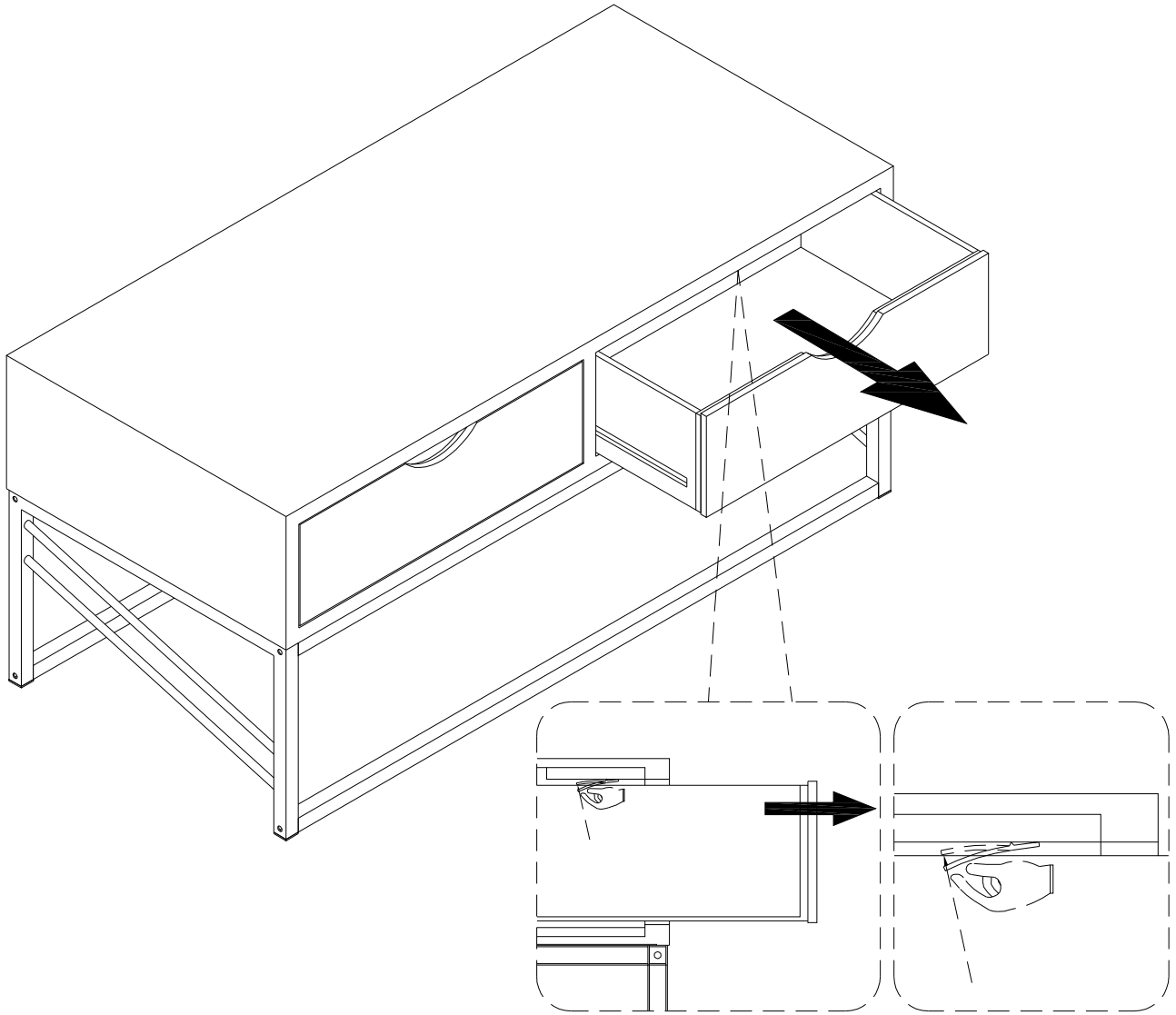
Using bolt (A) attach part (5) to parts (2,3) with Hex key (E) as per diagram.

Step 3



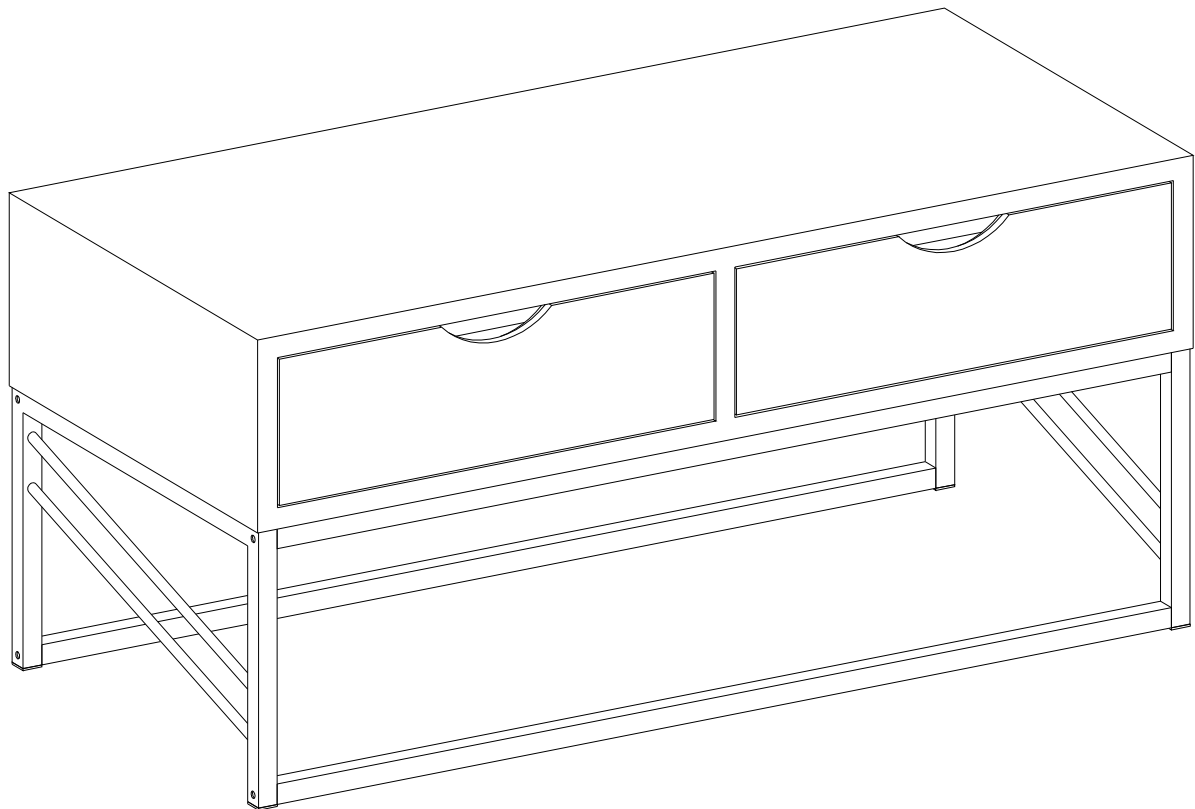
Using bolt (B) attach flat washer (C) into parts (4,5) to part (1) with Hex key (E) , then using bolt (D) attach part (2) to part (1) with Philips head screwdriver as per diagram.

Step 4



If you need to remove the drawer, please pull the drawer forward with one hand, and press up the plastic stopper with another hand, then you can take drawer out easily as per diagram. Don't be too fast to avoid getting caught.

Step 5



Final Assembly