

# ASSEMBLY INSTRUCTIONS

## Description: Fatima Accent Table






### Important safety instructions:

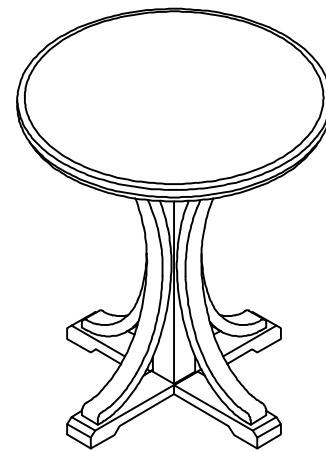
- Please carefully read all instructions before assembling.
- For your safety and ease, assembly by two or more adults is recommended.
- Keep instructions for future use.

### Pre-assembly:



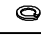


- Do not discard any contents until after assembly is complete to avoid accidentally discarding small parts or hardware.
- Remove all parts and hardware from box along with any plastic protective packaging.

### Parts List

Item	Description	QTY
P1	Table Top 	1
P2	Mouting Plate 	1
P3	Center Post 	1
P4	Legs 	4
P5	Bottom Frame 	1



### Hardware List

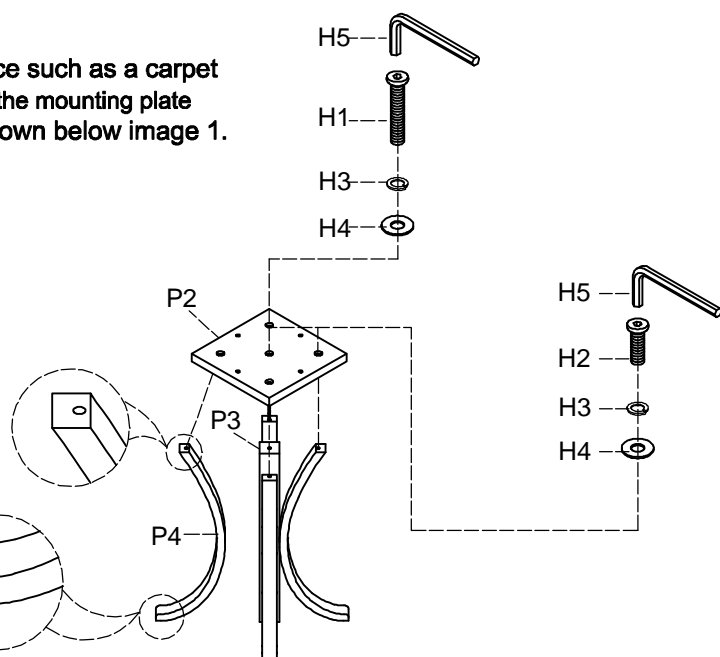
Item	Description	QTY
H1	Long Bolts $\phi 1/4'' \times 1-1/2''$ L 	2
H2	Short Bolts $\phi 1/4'' \times 1-1/4''$ L 	12
H3	Lock Washers 1/4" 	14
H4	Flat Washers 1/4" 	14
H5	Allen Wrench 1/4" 	1

### Assembly Procedures:


**Step 1. Assemble the table on a flat, soft surface such as a carpet or cloth to prevent scratching the finish. Attach the mounting plate (P2) to the legs (P4) and the center post (P3) as shown below image 1.**

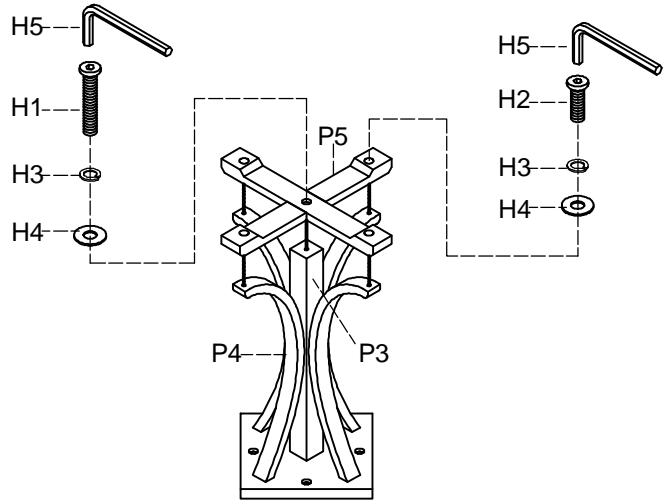
- (H1)x1 Long Bolts  $\phi 1/4'' \times 1-1/2''$  L 
- (H2)x4 Short Bolts  $\phi 1/4'' \times 1-1/4''$  L 
- (H3)x5 Lock Washers 1/4" 
- (H4)x5 Flat Washers 1/4" 
- (H5)x1 Allen Wrench 1/4" 

Note: Make sure the radius edge side of leg is not located on the bottom.






Step 2. Attach the bottom frame (P5) to the legs (P4) and the center post (P3) as shown below image 2.

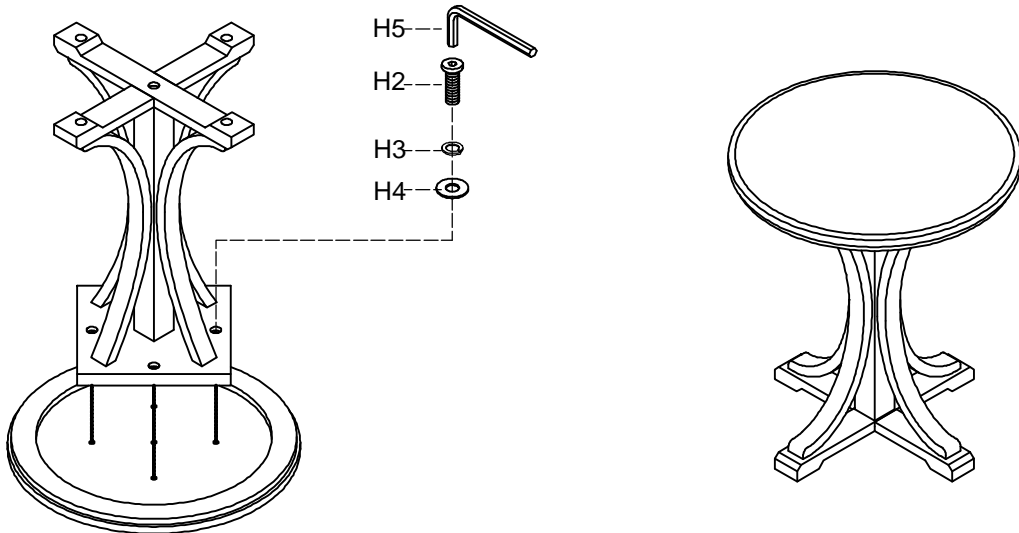
- (H1)x1 Long Bolts  $\phi 1/4'' \times 1-1/2''$  L 
- (H2)x4 Short Bolts  $\phi 1/4'' \times 1-1/4''$  L 
- (H3)x5 Lock Washers 1/4" 
- (H4)x5 Flat Washers 1/4" 
- (H5)x1 Allen Wrench 1/4" 



Step 3.

- a. Attach the assembled mounting plate (P2) to the table top (P1) as shown below image 3.
- b. Securely tighten all bolts with Allen wrench ( H5 ) .
- c. Turn the assembled table to an upright position. Assembly is complete.
- d. Failure to follow these instructions may cause the bolts to misalign during assembly.

- (H2)x4 Short Bolts  $\phi 1/4'' \times 1-1/4''$  L 
- (H3)x4 Lock Washers 1/4" 
- (H4)x4 Flat Washers 1/4" 
- (H5)x1 Allen Wrench 1/4" 



ADDITIONAL NOTE ABOUT SAFETY: BOLTS MAY LOOSEN DURING NORMAL EVERYDAY USE. THEY SHOULD BE PERIODICALLY INSPECTED AND RE-TIGHTENED TO PREVENT DAMAGE OR INJURY. ALWAYS CHECK TO BE SURE THAT ALL HARDWARE IS KEPT TIGHTENED.

**Thank you for your purchase**