

ASSEMBLY INSTRUCTIONS

Description: Irisa Accent Table

Important safety instructions:

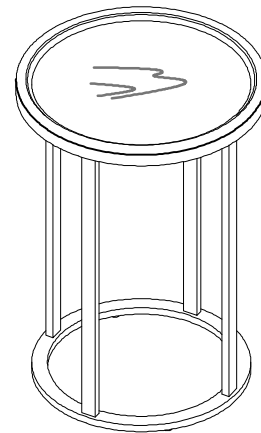
- Please carefully read all instructions before assembling the table.
- For your safety and ease, assembly by two or more adults is recommended.
- Keep instructions for future use.

Pre-assembly:

- Do not discard any contents until after assembly is complete to avoid accidentally discarding small parts or hardware.
- Remove all parts and hardware from box along with any plastic protective packaging.

Parts List

Item	Description	QTY
P1	Table Top	1
P2	Bottom Frame	1
P3	Metal Legs	4



Hardware List

Item	Description	QTY
H1	Short Bolts $\phi 1/4 \times 1/2$ "L	4
H2	Long Bolts $\phi 1/4 \times 1$ "L	4
H3	Lock Washers 1/4"	4
H4	Flat Washers 1/4"	4
H5	Allen Wrench 1/4"	1

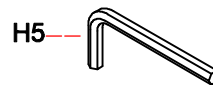
Step 1. Assemble the table on a flat, soft surface such as a carpet or cloth to prevent scratching the finish. Attach metal legs (P3) to top frame (P1) as shown below image 1.

(H1)x4 Short Bolts $\phi 1/4 \times 1/2$ "L

(H3)x4 Lock Washers 1/4"

(H4)x4 Flat Washers 1/4"

(H5)x1 Allen Wrench 1/4"

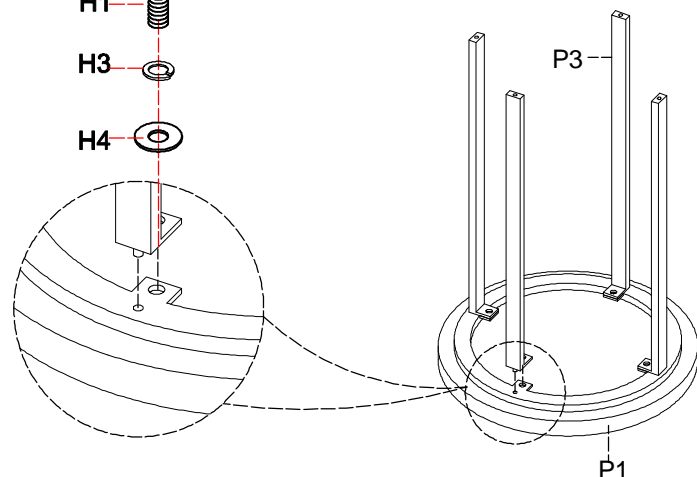


H1

H3

H4

Image 1



Step 2. Attach the bottom frame (P2) to the assembled legs (P3) as shown below image 2.

(H2)x4 Long Bolts $\phi 1/4 \times 1 \text{ L}$



(H5)x1 Allen Wrench 1/4"

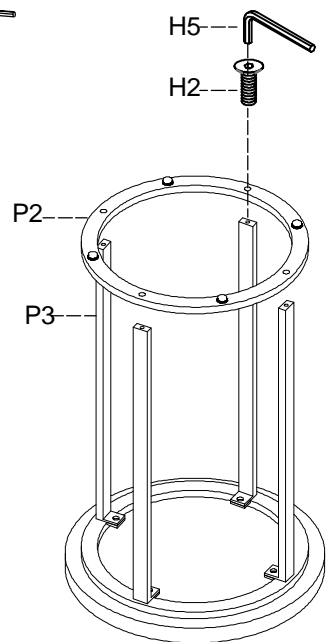
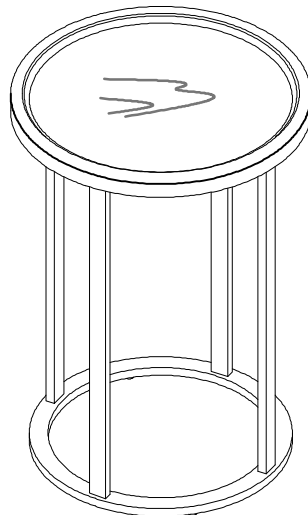


Image2

Step 3.

- Securely tighten all bolts with Allen wrench (H5), turn the assembled table to an upright position .
- Assembly is complete.
- Failure to follow these instructions may cause the bolts to misalign during assembly.



ADDITIONAL NOTE ABOUT SAFETY: BOLTS MAY LOOSEN DURING NORMAL EVERYDAY USE. THEY SHOULD BE PERIODICALLY INSPECTED AND RE-TIGHTENED TO PREVENT DAMAGE OR INJURY. ALWAYS CHECK TO BE SURE THAT ALL HARDWARE IS KEPT TIGHTENED.

Thank you for your purchase