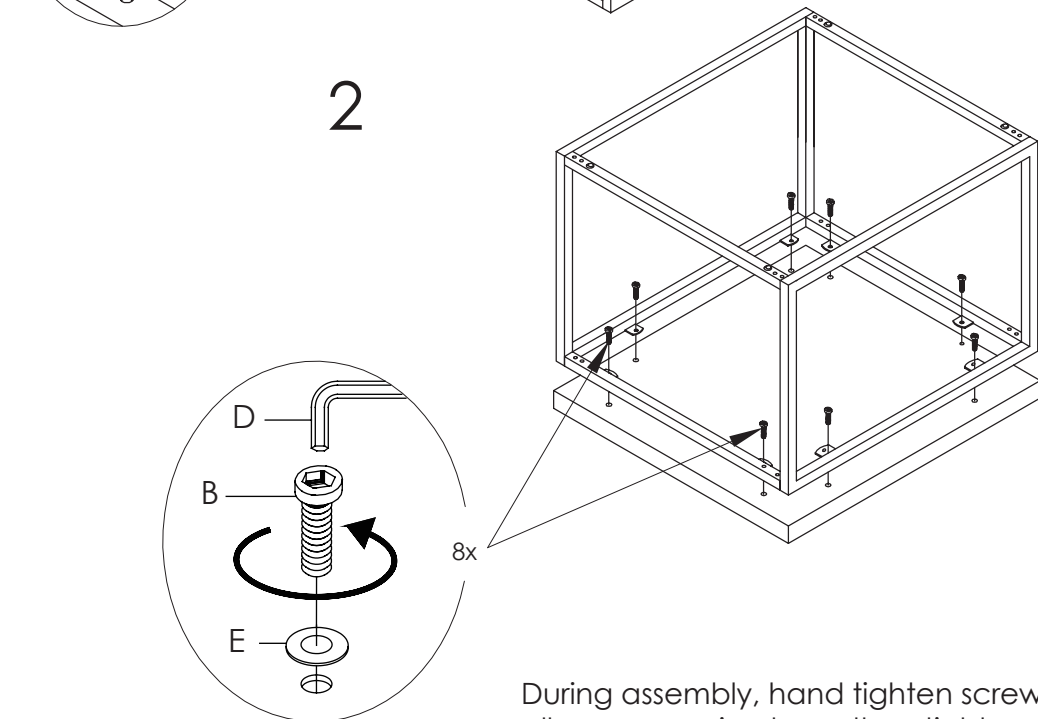
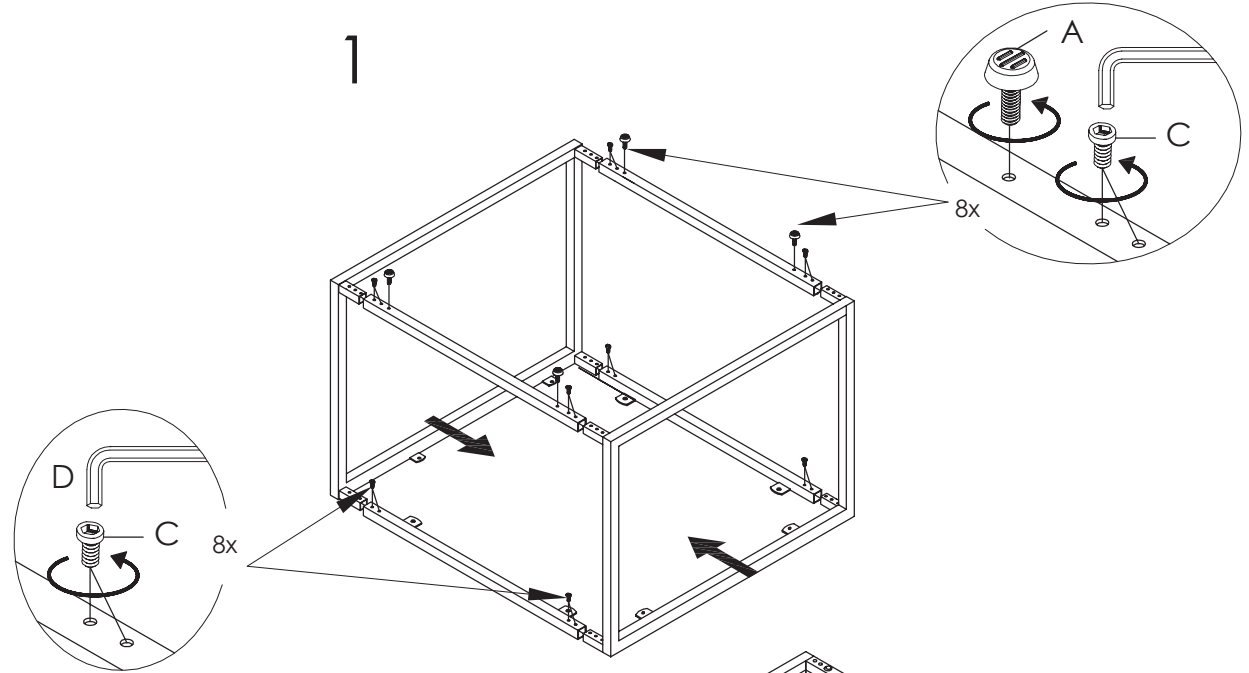


Assembly Instructions

TERESA Side Table

PLEASE NOTE: Check that you have received all components and hardware before assembling. If you are missing any parts, contact your retailer.



A (4 pcs)
M6 X 35mm

B (8 pcs)
M6 x 20mm

C (16 pcs)
M6 x 10mm

D (1 pc)
M4mm

E (8 pcs)
M6 x 18mm

During assembly, hand tighten screws only. When all screws are in place, then tighten completely.