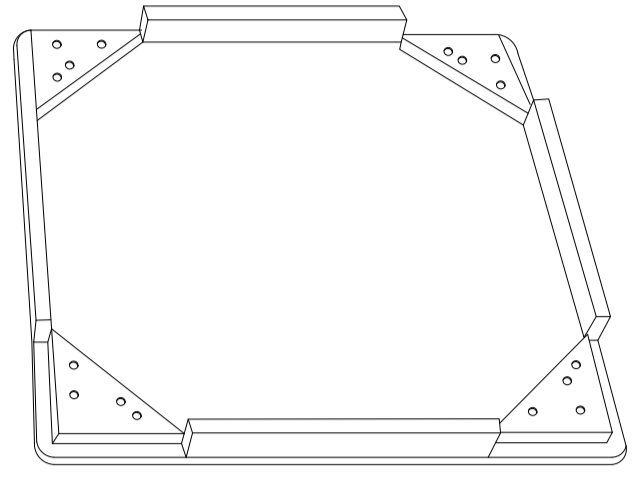
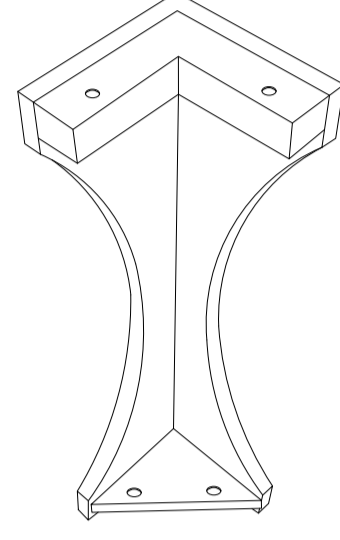
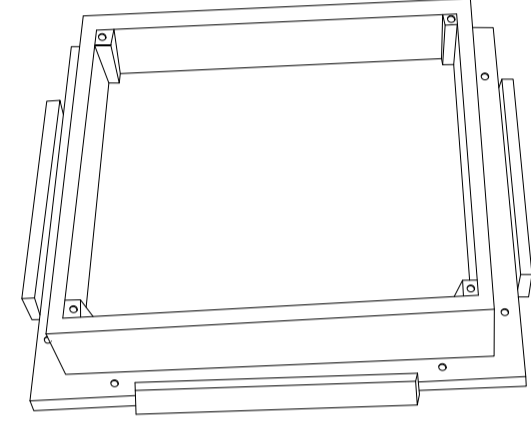


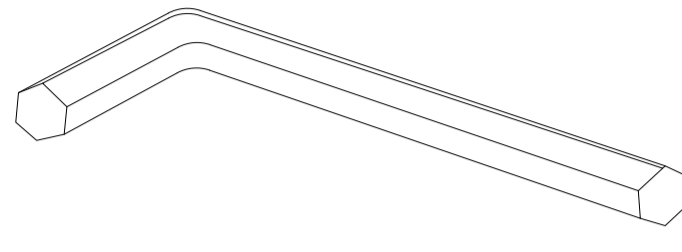
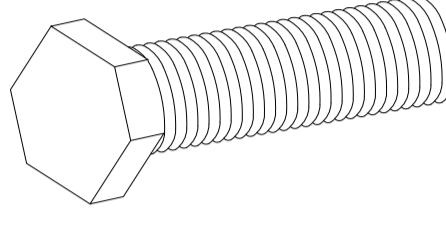
ASSEMBLY INSTRUCTIONS

CVFNR4215

PARTS

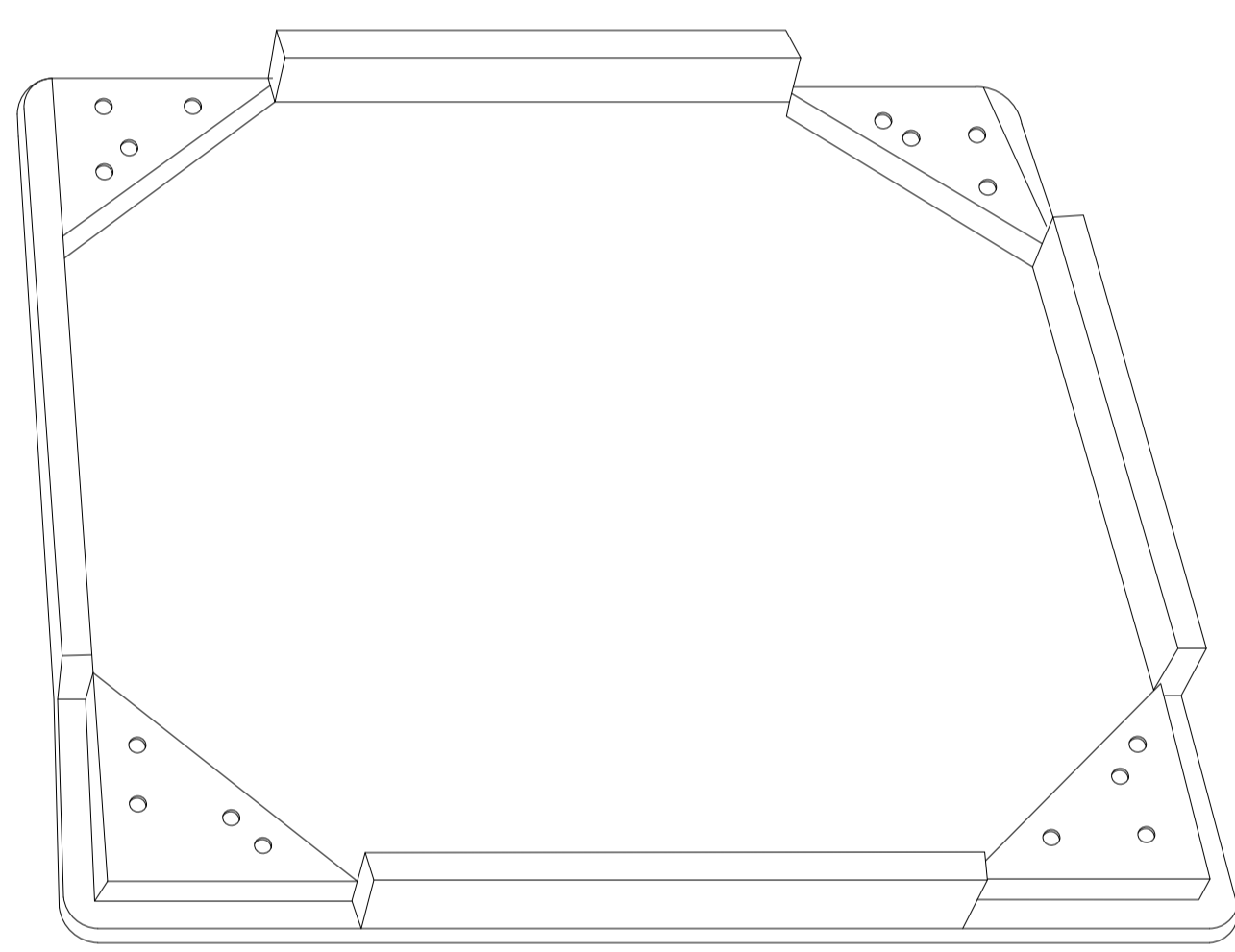
S.NO.	DESCRIPTION	QTY.
P	 TOP	1 Pc
Q	 LEG Q1,Q2	4 Pcs
R	 Bottom	1 Pc

HARDWARE

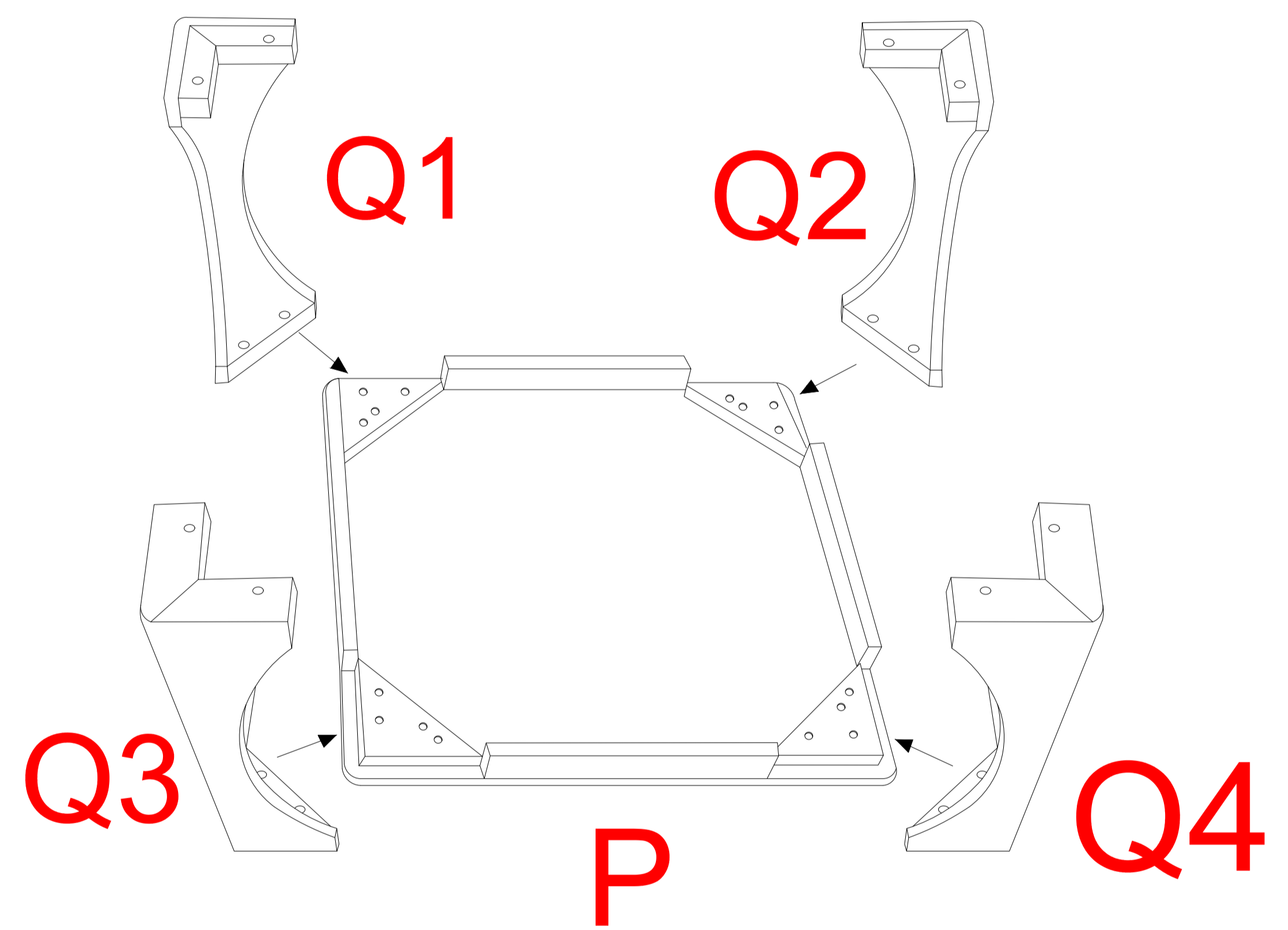
S.NO.	DESCRIPTION	QTY.
A	 ALLEN KEY	1 Pcs
B	 ALLEN KEY BOLT	16 Pcs

STEP-1

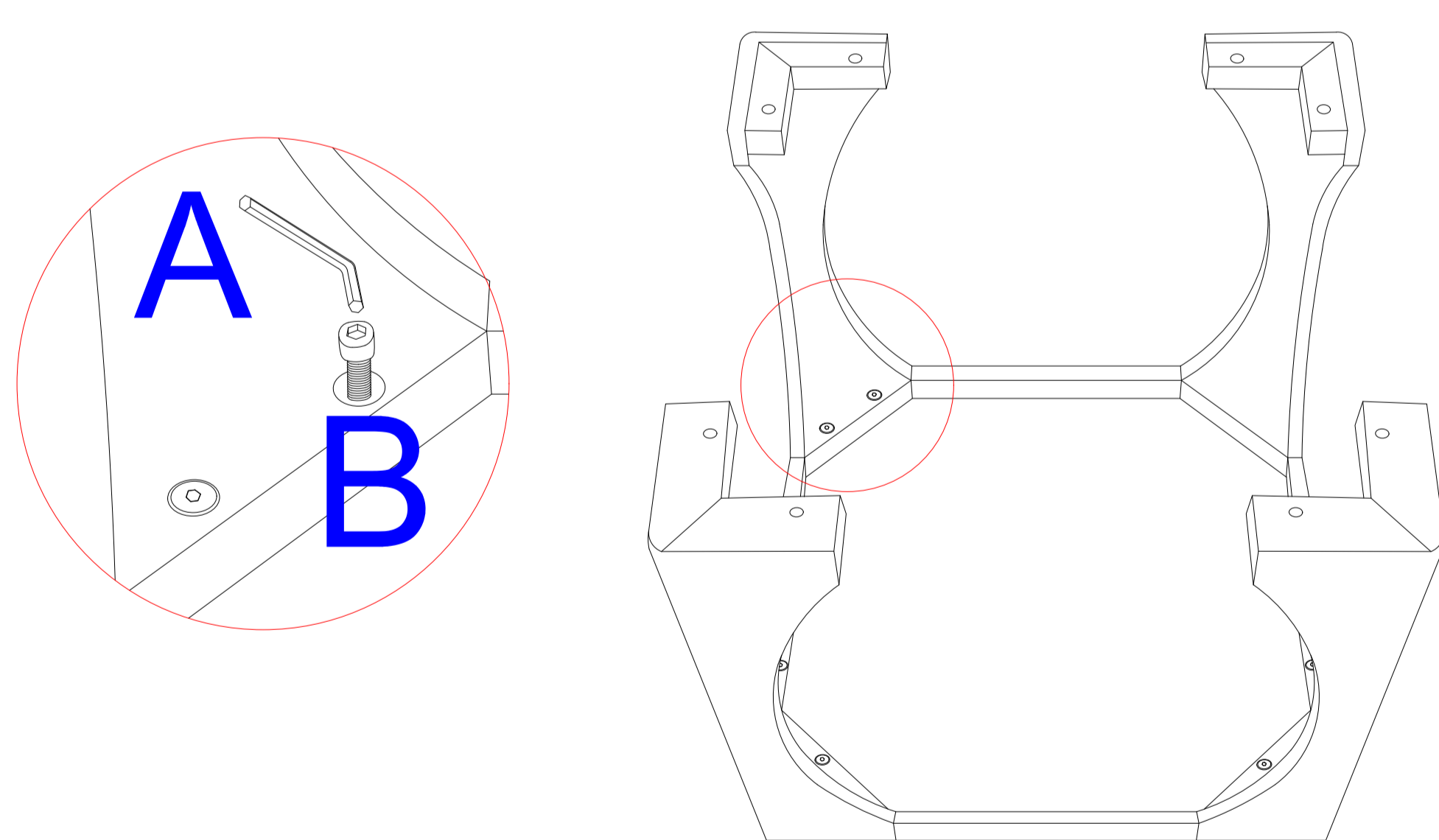
P



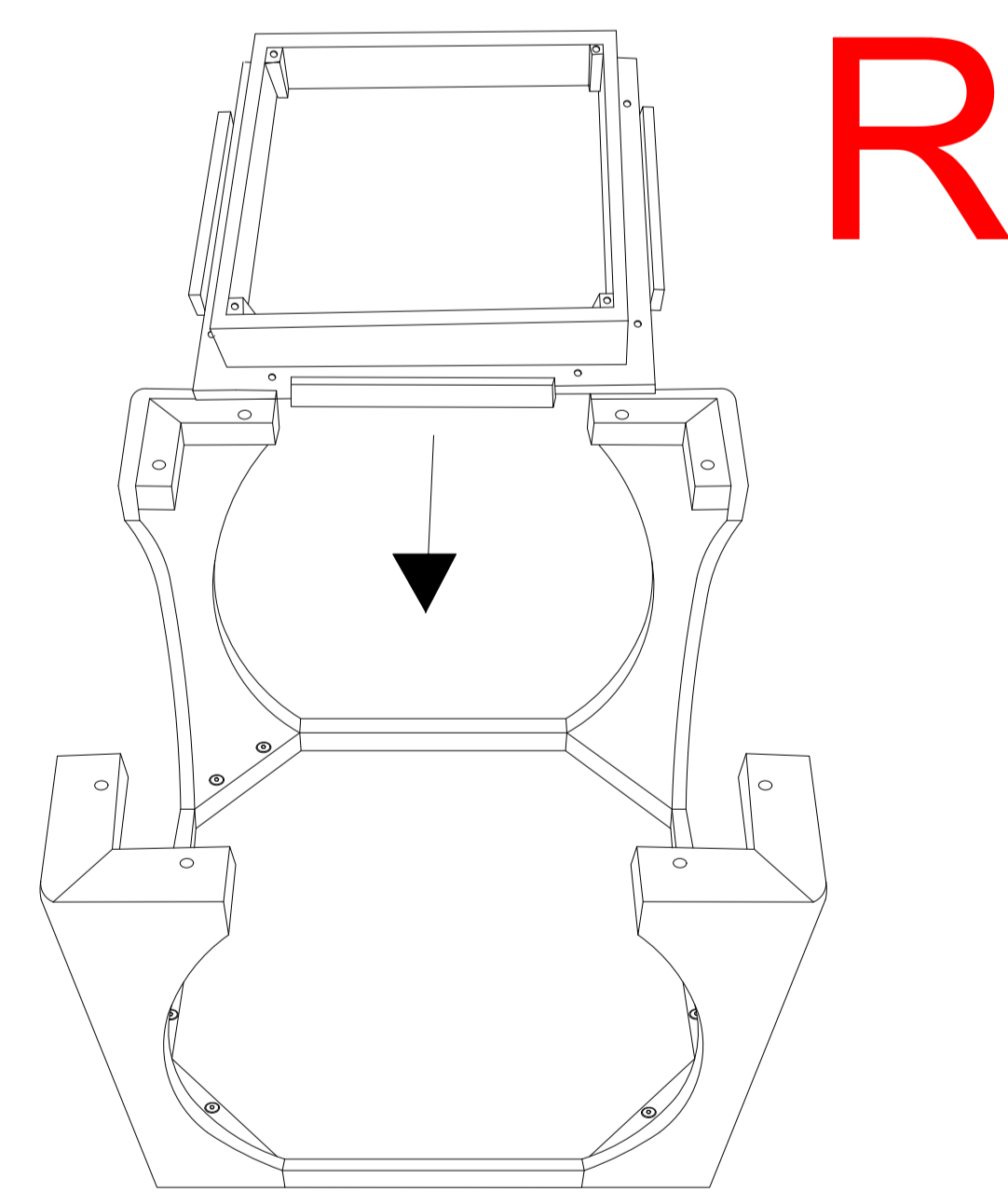
STEP-2



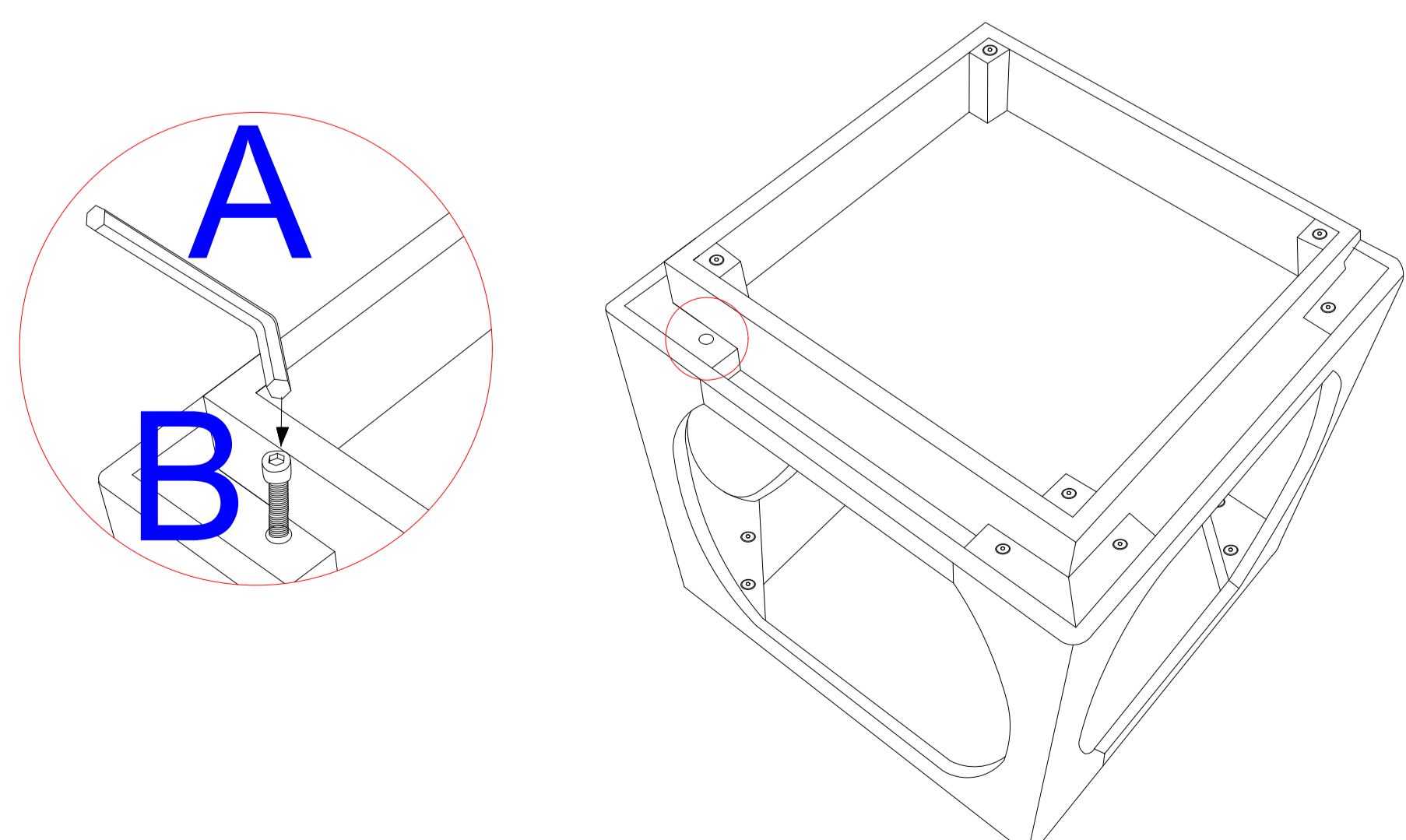
STEP-3



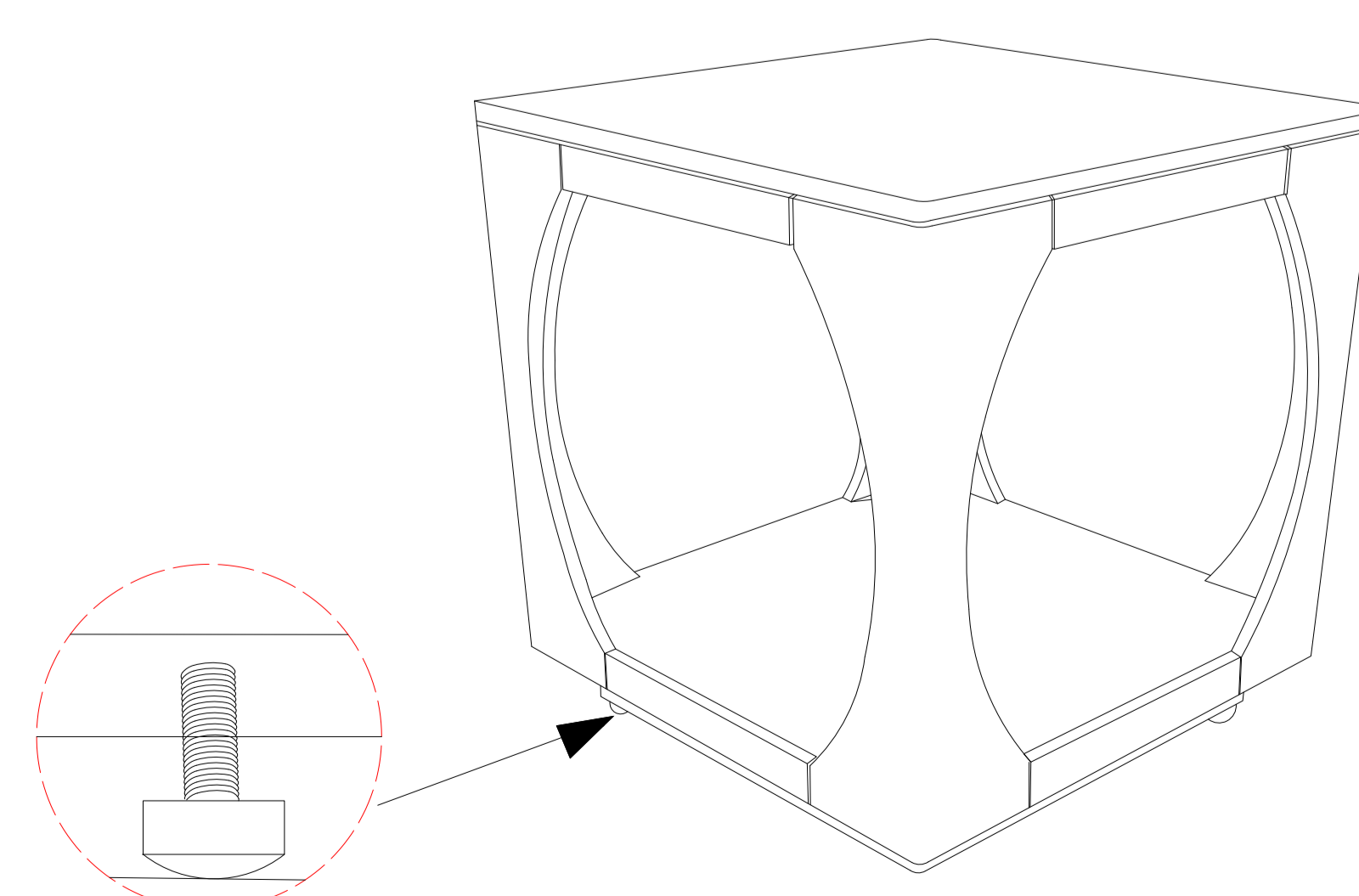
STEP-4



STEP-5



STEP-6



Note: Levellers are provided at bottom to balance the product on uneven surface.