

## BLAZE TRIANGLE WOOD END TABLE

*Assembly instructions:*

### PART LISTS

| NO. | DESCRIPTION | IMAGE | Q'TY |
|-----|-------------|-------|------|
| P1  | TOP         |       | 1    |
| P2  | LEGS        |       | 3    |

### HARDWARE LISTS

| NO. | DESCRIPTION        | IMAGE | Q'TY |
|-----|--------------------|-------|------|
| H1  | BOLT 1/4" x 20mm   |       | 9PCS |
| H2  | SPRING WASHER 1/4" |       | 3PCS |
| H3  | FLAT WASHER 1/4"   |       | 3PCS |
| H4  | ALLEN KEY 4mm      |       | 1PC  |
| H5  | WOODEN PLUG        |       | 6PCS |

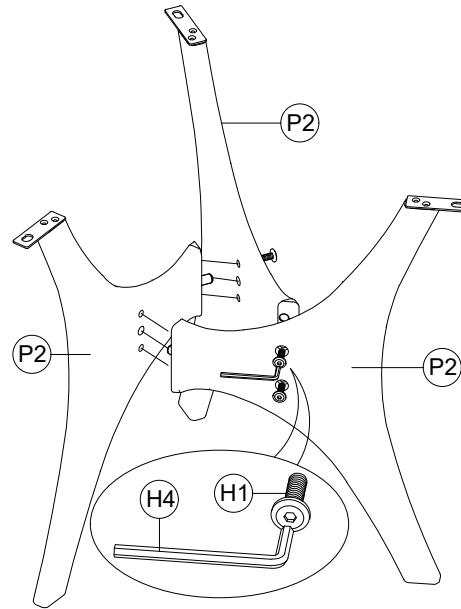
**NOTE:** PO# is located underneath/ at the back side of each item. Please be prepared to provide this # should any claim be necessary.

**CAUTION:** Item is heavy assembly should be performed by two people.

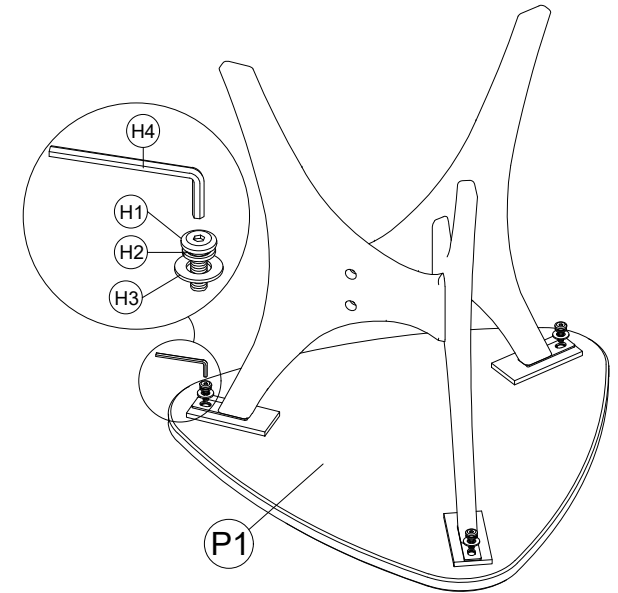
### DISCLAIMER:

When properly assembled, this item is safe for intended use. Seller is not liable for any damages resulting from item being improperly assembled after purchase.

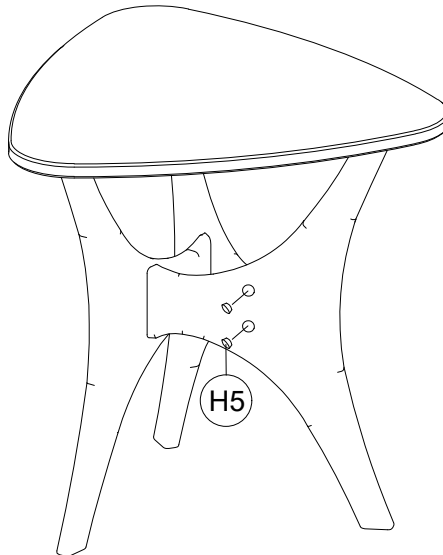
1



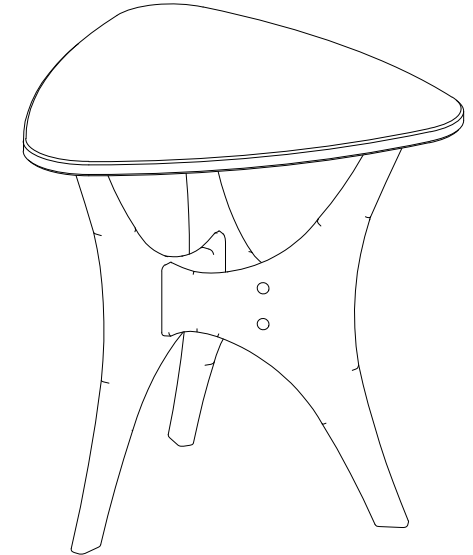
2



3



4



ASSEMBLE COMPLETE