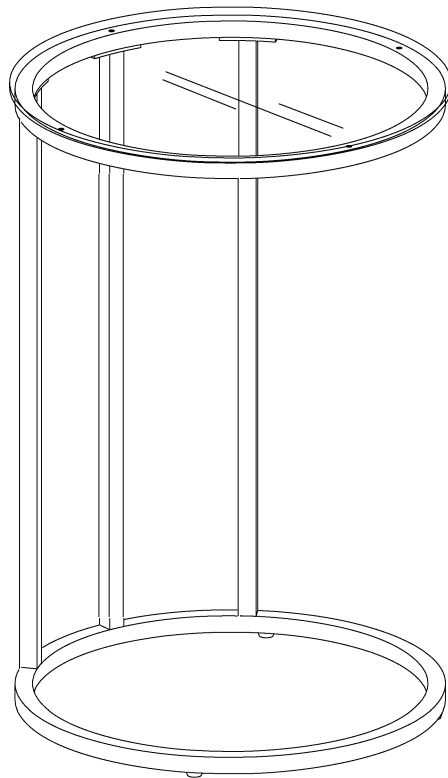


Item # : AF16RCSTGL
Assembly Instructions

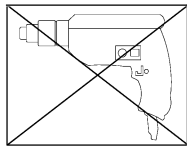


Please visit our website for the most current instructions, assembly tips, report damage, or request parts. www.walkeredison.com

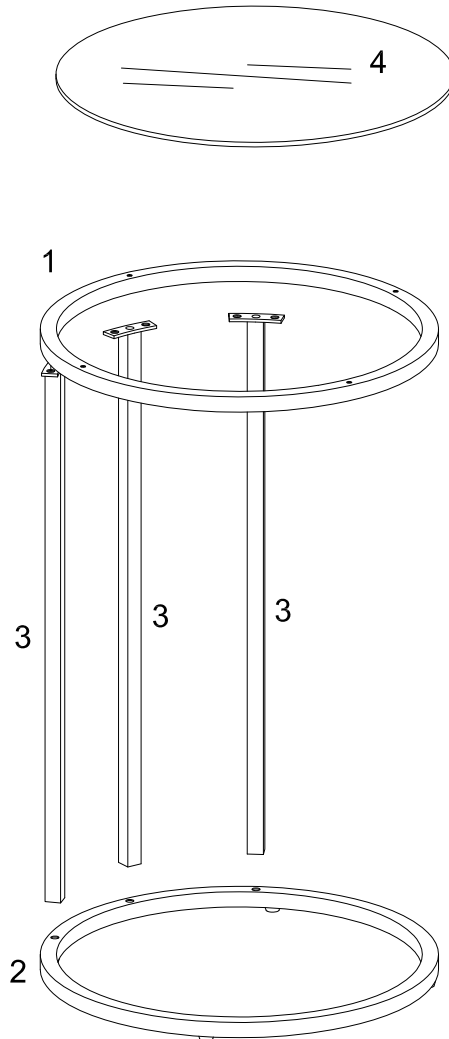
Revised 04/30/2018

General Assembly Guidelines





- I. Ensure that all parts and hardware are available before beginning assembly.
- II. Follow each step carefully to ensure the proper assembly of this product.
- III. Two people are recommended for ease in the assembly of this product.
- IV. The main type of hardware used to assemble this product is: bolts.
- V. Power tools should not be used to assemble this product .



Parts List

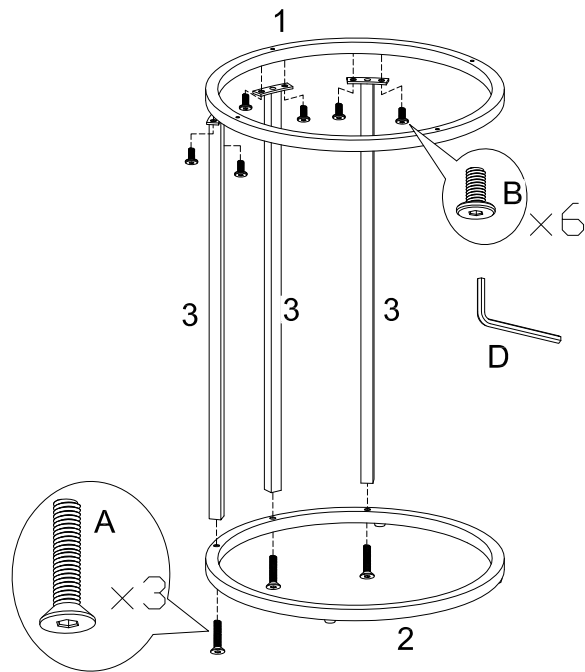


Hardware List

| | | | | |
|---|---|---------|---------------------|-------|
| A |  | Ø6x30mm | Bolt | 3 pcs |
| B |  | Ø6x12mm | Bolt | 6 pcs |
| C |  | | Rubber suction cups | 4 pcs |
| D |  | M4 | Hex Key | 1 pc |

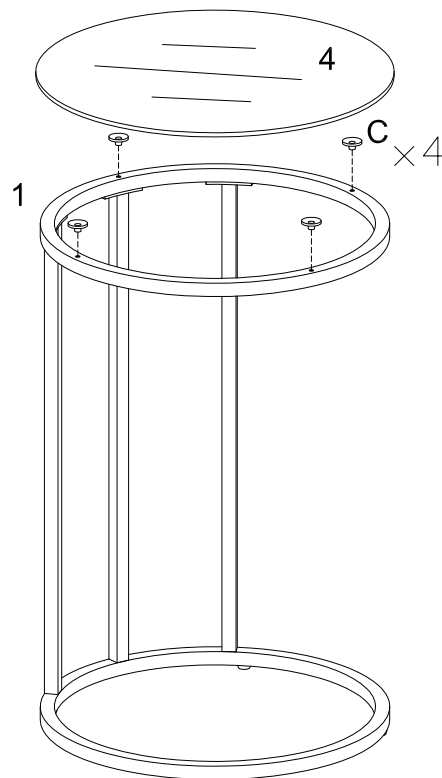
*The hardware quantities listed above are required for proper assembly.
Some extra hardware may also have been included.*

Step 1



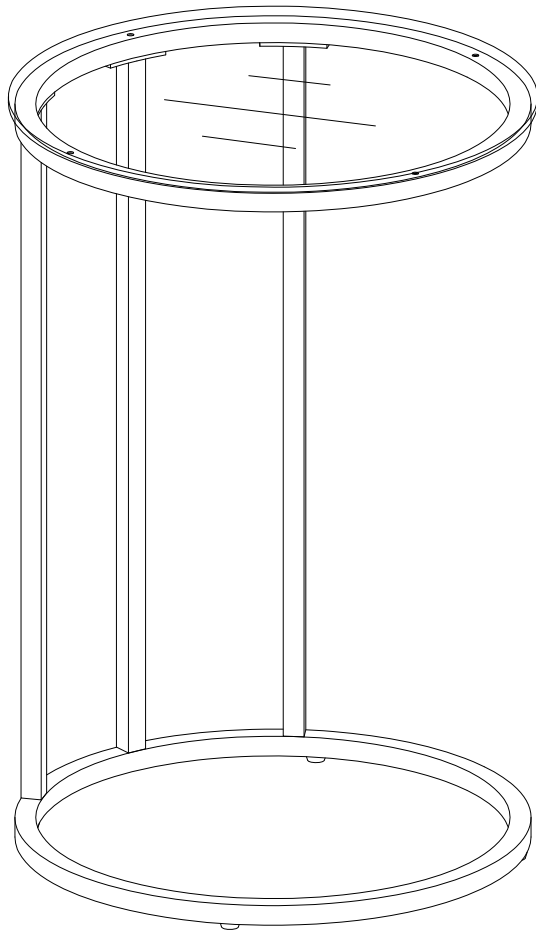
Attach part (3) to part (1) using bolt (B), and part (3) to part (2) using bolt (A) with hex key (D).

Step 2



Insert rubber suction cups (C) into part (1), then place glass (4) on top of part (1) carefully.

Step 3



Final Assembly