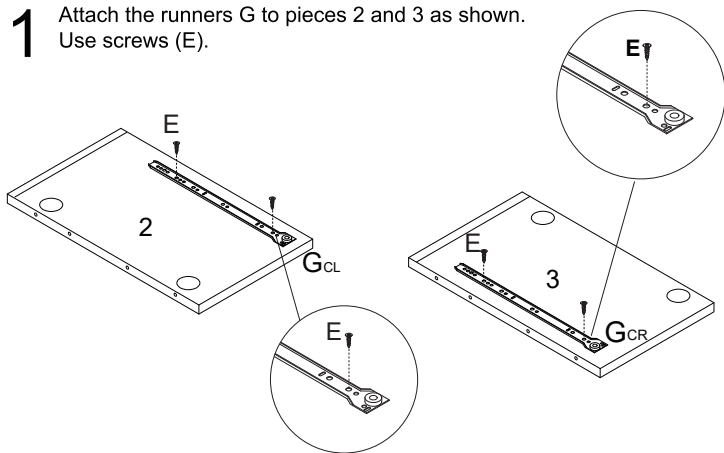
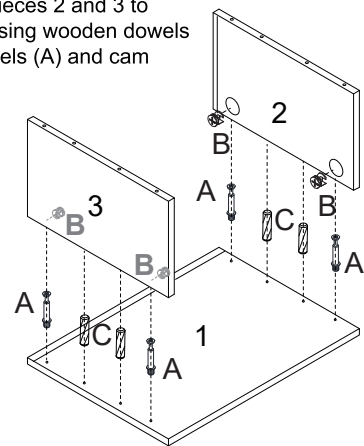


A		8 PCS
B		8 PCS
C		8 PCS
D		8 PCS
E		8 PCS
F		20PCS
G		1 PC
H		1 PC
I		4 PCS
J		2 PCS

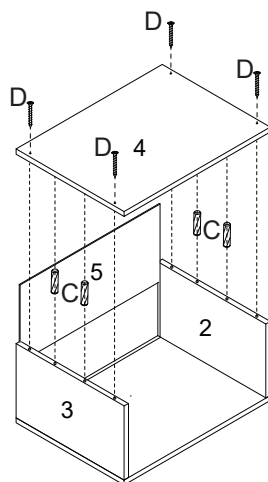
**1** Attach the runners G to pieces 2 and 3 as shown. Use screws (E).



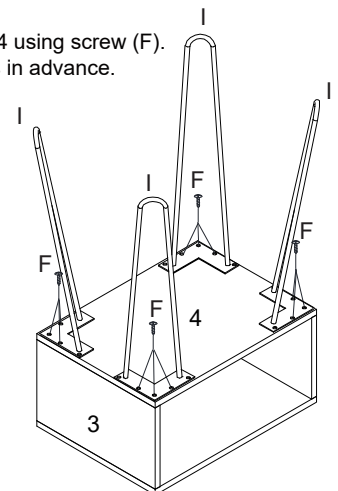
**2** Then attach pieces 2 and 3 to Top panel 1 using wooden dowels (C), cam dowels (A) and cam locks (B).



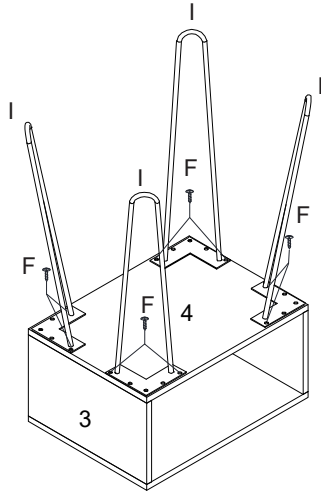
**3** Slot in piece 5 to the built-in ridges. Then add piece 4 to the unit using wooden dowels (C), Screw (D).



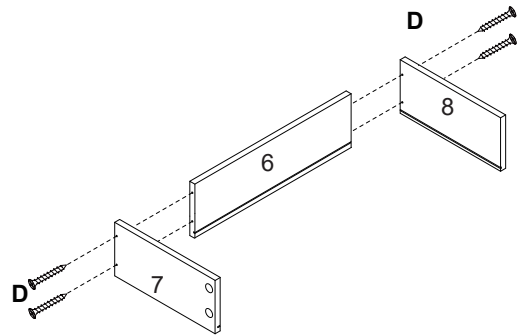
**4** Fix the metal leg (I) to piece 4 using screw (F). Important: Fix middle 3 holes in advance.



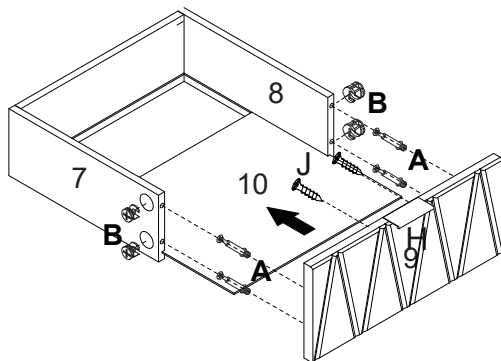
- 5** Fix the metal leg (I) to piece 4 using screw (F) for balance holes.



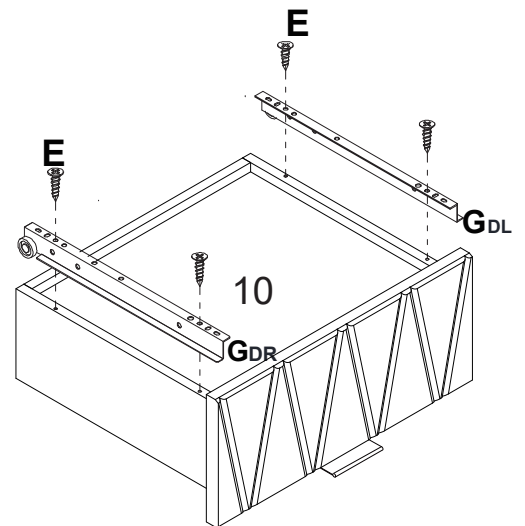
- 6** Attach pieces 6, 7 & 8 using screws (D). Make sure that the built-in ridge is facing inwards and at the bottom.



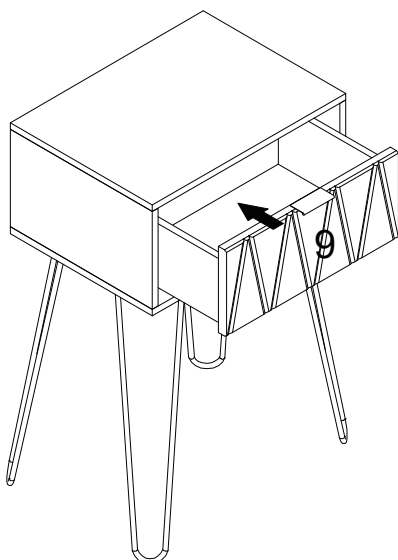
- 7** Attach the handle (H) using screw (J) on piece 9. Slot piece 10 into the ridges. First insert the cam locks (B) into the pre-drilled holes on parts 7 & 8. Then insert cam dowels (A) into each side, you then need to line up these screws with the pre-drilled holes on the front piece (9). Once attached, tighten the cam locks (B) using a cross-head screwdriver and ensure the piece is secure.



- 8** Turn the drawer upside down. Line up the holes on the outside pieces with the holes on the runners (GDR & GDL), secure to the drawer using screws (E).



- 9** Turn the unit the right way up and insert the drawers.



- 10** The unit should now be assembled and ready to use.

