
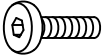



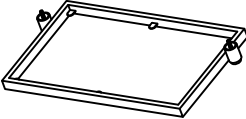
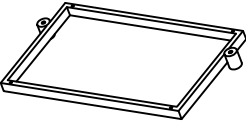
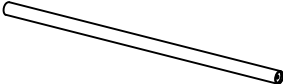
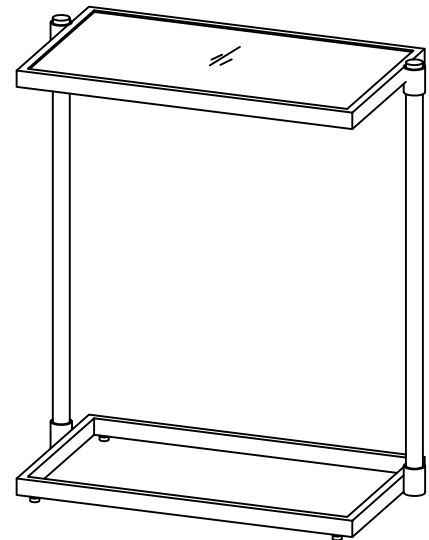


Step	Code	Hardware	QTY
	A	Allen Key 4mm 	1 Pc
2	B	Bolt 1/4" x 20 x 1" 	2 Pcs
3	C	Leveler 	4 Pcs
4	D	Rubber Mat 	6 Pcs

### Parts List

NO	Description	Sketch	QTY
①	Table Top (Glass)		1 Pc
②	Top Frame		1 Pc
③	Bottom Frame		1 Pc
④	Leg		2 Pcs



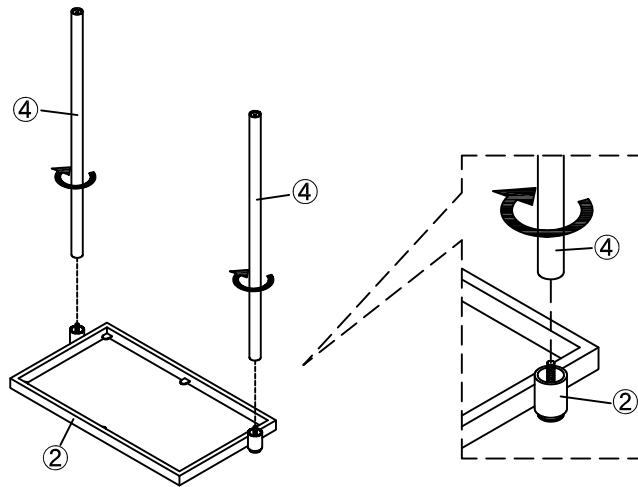
### Hardware Pack Location(s):

A15785BK RECT C TABLE, SKU# 20215768

Version #1 - 2026 / 01 / 07

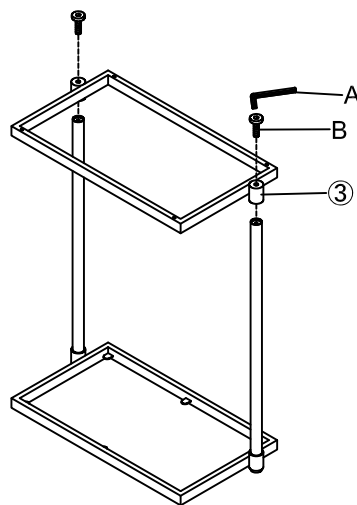
\*\*\*Caution: Please read all instructions carefully before starting the assembly process. These parts are cumbersome and heavy. Therefore, two people are recommended in order to prevent personal injury and insure the parts are not damaged during the assembly.

STEP1:



Screw in leg (4) into full-thread bolt tighten on top frame (2), then, secure the leg (4) by hand.

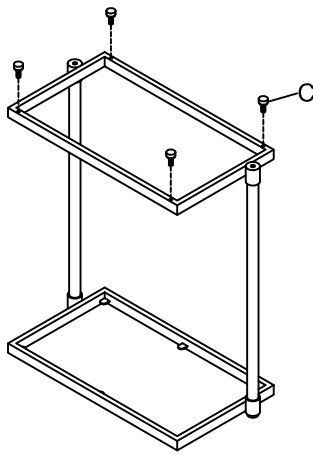
STEP2:



Assembly bottom frame (3) to leg (4) with bolt (B) by use of Allen key (A).

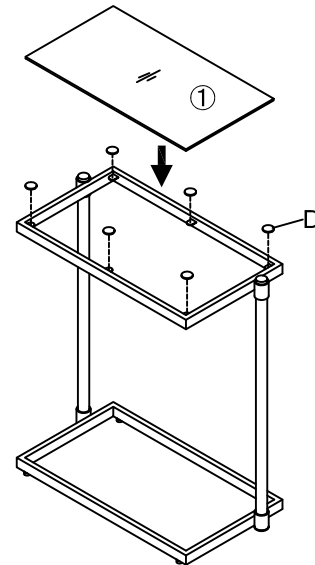
\*\*\*Caution: Please read all instructions carefully before starting the assembly process. These parts are cumbersome and heavy. Therefore, two people are recommended in order to prevent personal injury and insure the parts are not damaged during the assembly.

STEP3:

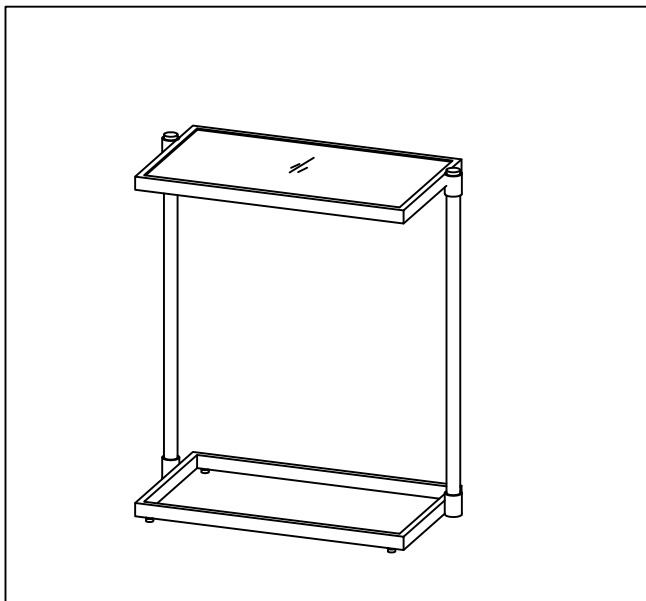


Screw the levelers (C) into the threaded holes on bottom frame (3).

STEP4:



Stick rubber mats (D) onto top frame (2), then, place the glass (1) onto the assembled table.



Assembly finish.