

Item # : AF22WL2DRST

Assembly Instructions



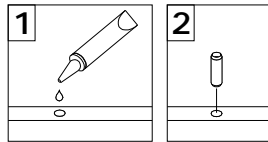
Walker Edison®

Please visit our website for the most current instructions, assembly tips, report damage, or request parts. www.walkeredison.com

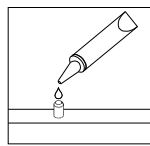
Revised 09/07/2020 (C)

General Assembly Guidelines

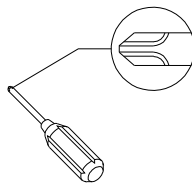
- I. Ensure that all parts and hardware are available before beginning assembly.
- II. Follow each step carefully to ensure the proper assembly of this product.
- III. Two people are recommended for ease in the assembly of this product.
- IV. The three main types of hardware used to assemble this product are: wood dowels, screws and bolts.
- V. The provided glue is to secure wood dowels in place. When first inserting dowels, locate the appropriate hole for the dowel, place a small amount of glue in the hole and insert the dowel. Wipe away excess glue immediately.



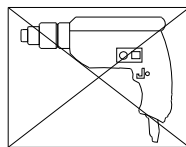
In future assembly steps when dowels are necessary to attach assembly parts together, place a small amount of glue on the end of the dowel before attaching parts together. Wipe away excess glue immediately.



- VI. A Phillips head screwdriver is required for the assembly of this product .

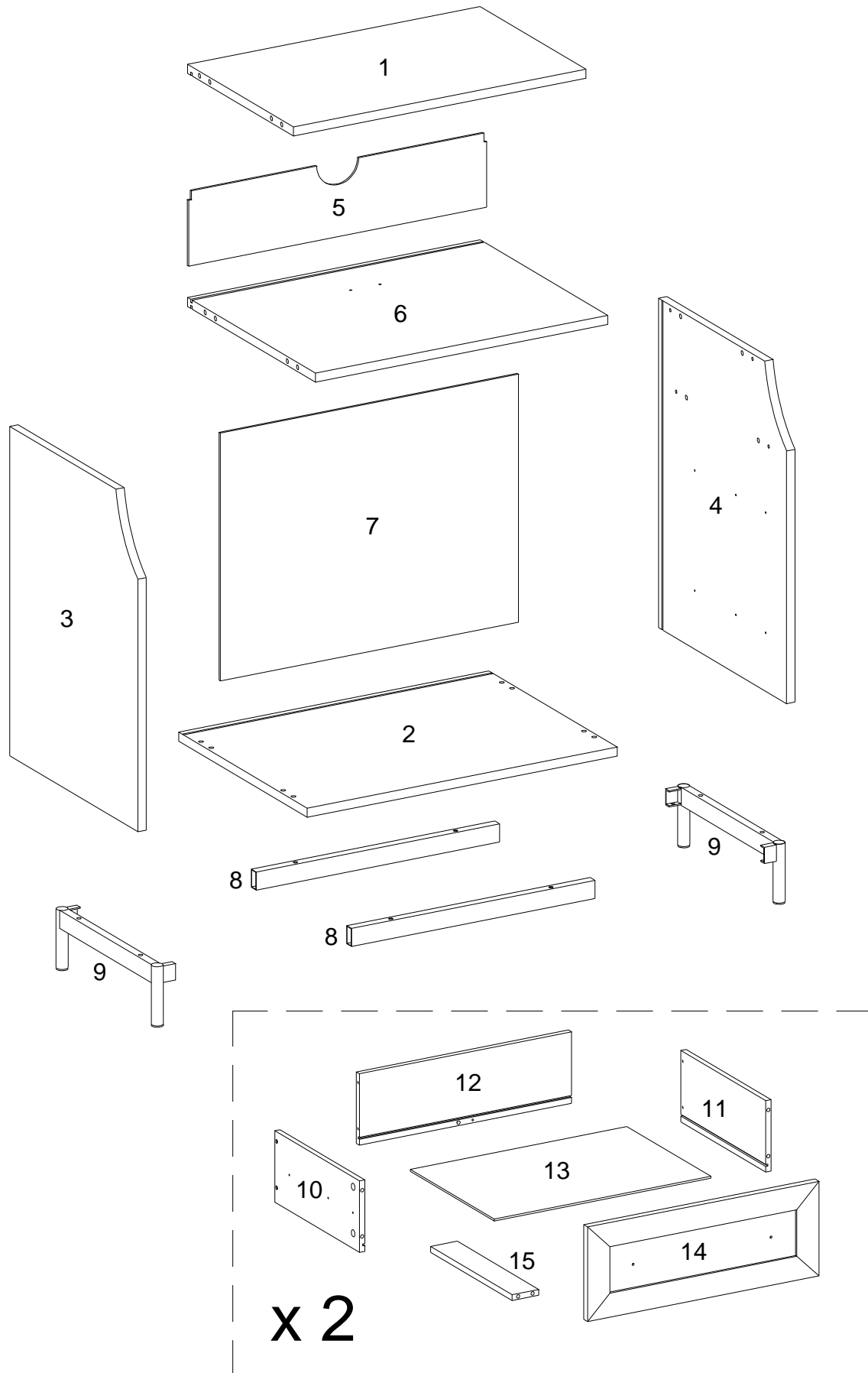


- VII. Power tools should not be used to assemble this product.



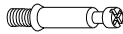







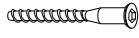



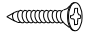






- VIII. Drill may be needed for securing product to wall.

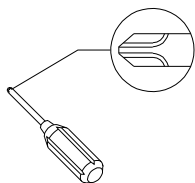
Parts List



Hardware List

A		Ø8x30mm	Wooden dowel	16 pcs
B		Ø15x11mm	Cam lock	8 pcs
C		Ø6x35mm	Cam bolt	18 pcs
D		Ø30mm	Sticker	18 pcs
E		Ø15x 9 mm	Cam lock	10 pcs
F			Handle	4 pcs
G		Ø4x16mm	Handle Bolt	4 pcs
H		Ø3.5x12mm	Screw	24 pcs
J		M6x13mm	Bolt	4 pcs
K		M6x40mm	Bolt	8 pcs
L		M6x50mm	Bolt	4 pcs
M		M 4	Hex Key	1 pc
N		Ø4x38mm	Screw	10 pcs
P			Plastic wedge	8 pcs
Q		Ø3x17mm	Screw	8 pcs
R			Glue tube	1 pc
S			USB Interface	1 pc
T		Ø3.5x14mm	Screw	2 pcs
U			Drawer slider	2 Sets

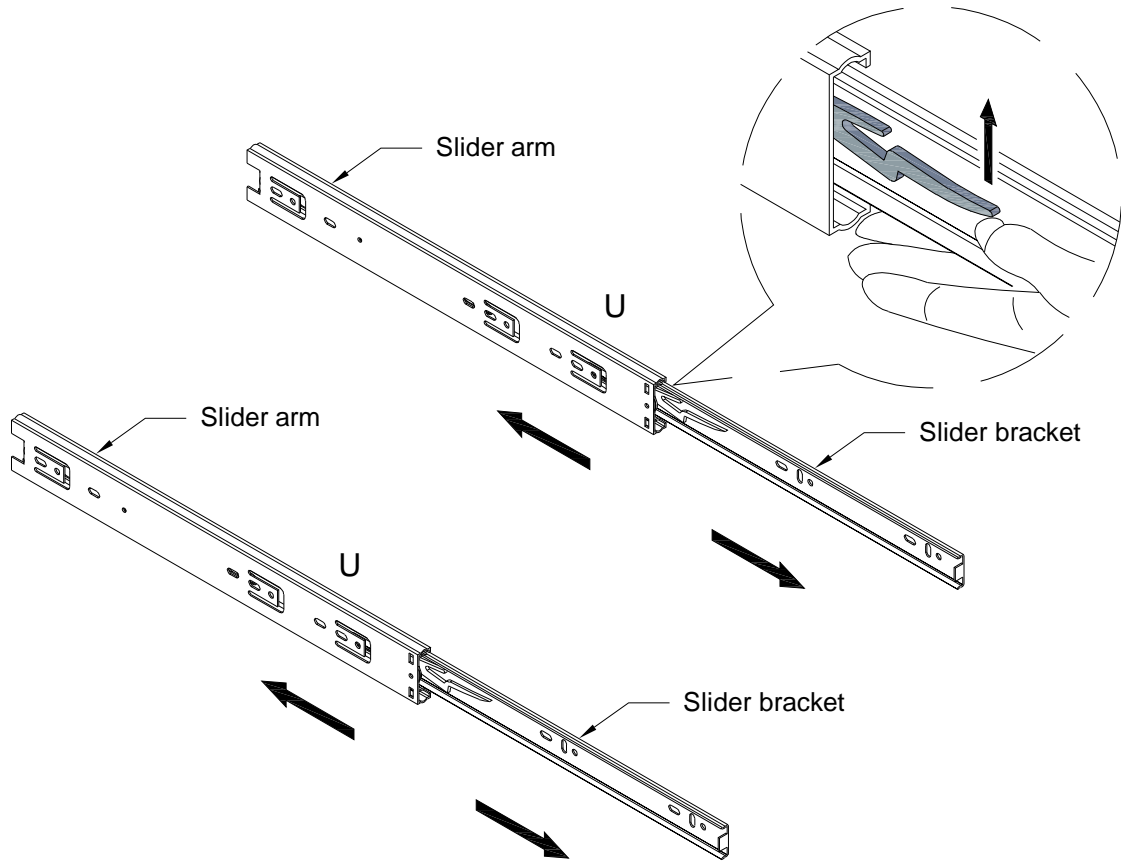
* Note: This piece comes preassembled for shipping purposes and must be disassembled to complete the desk assembly.



Philips head screwdriver required for assembly
(not included)

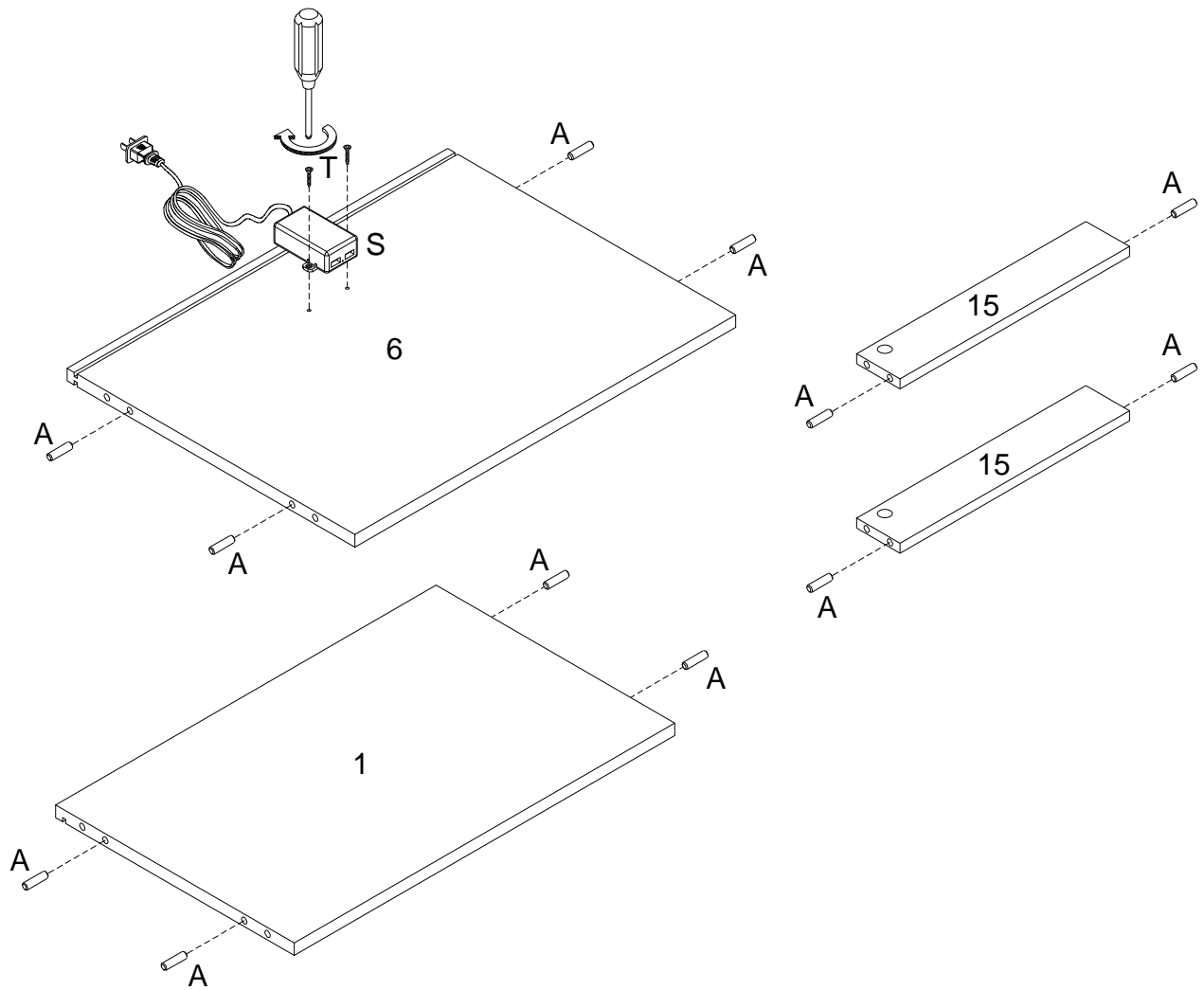
*The hardware quantities listed above are required for proper assembly.
Some extra hardware may also have been included.*

Step 1



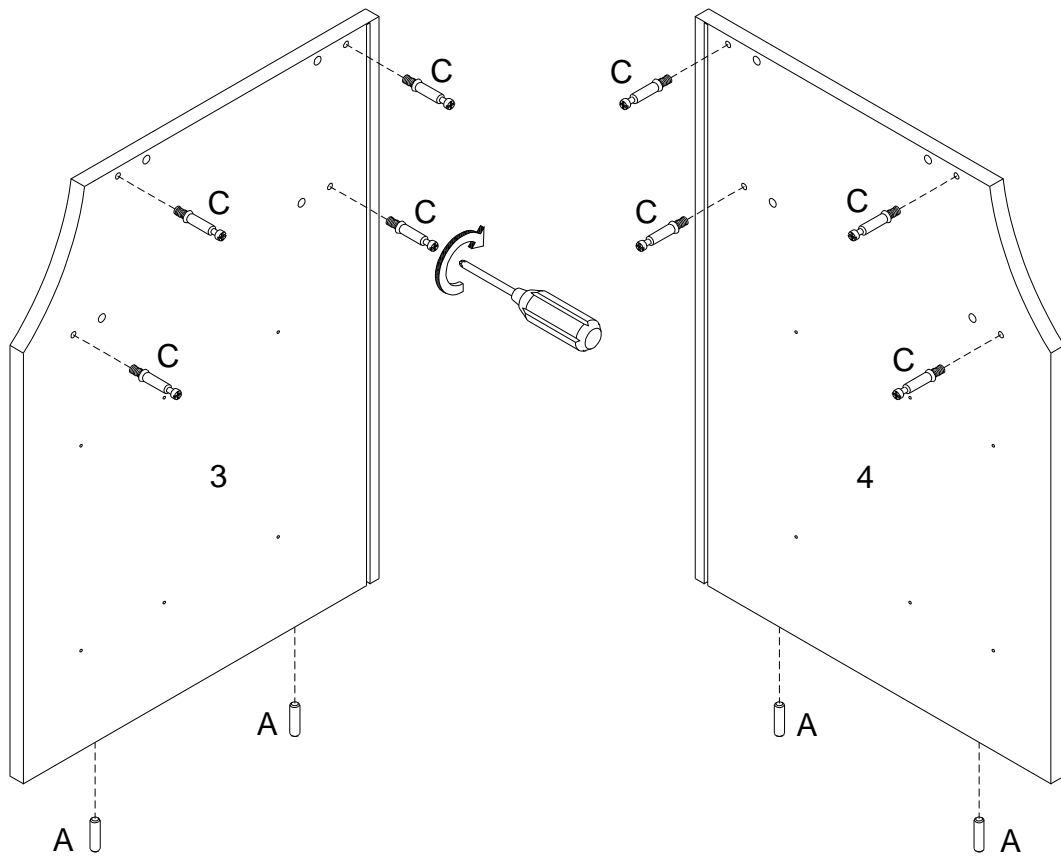
Pick up the slider arm (U) and separate the slide Runner for the following Steps. Extend the Slide Runner all the way forward, press the plastic release lever of the slider arm up and pull the Slide Runner Complete out .

Step 2



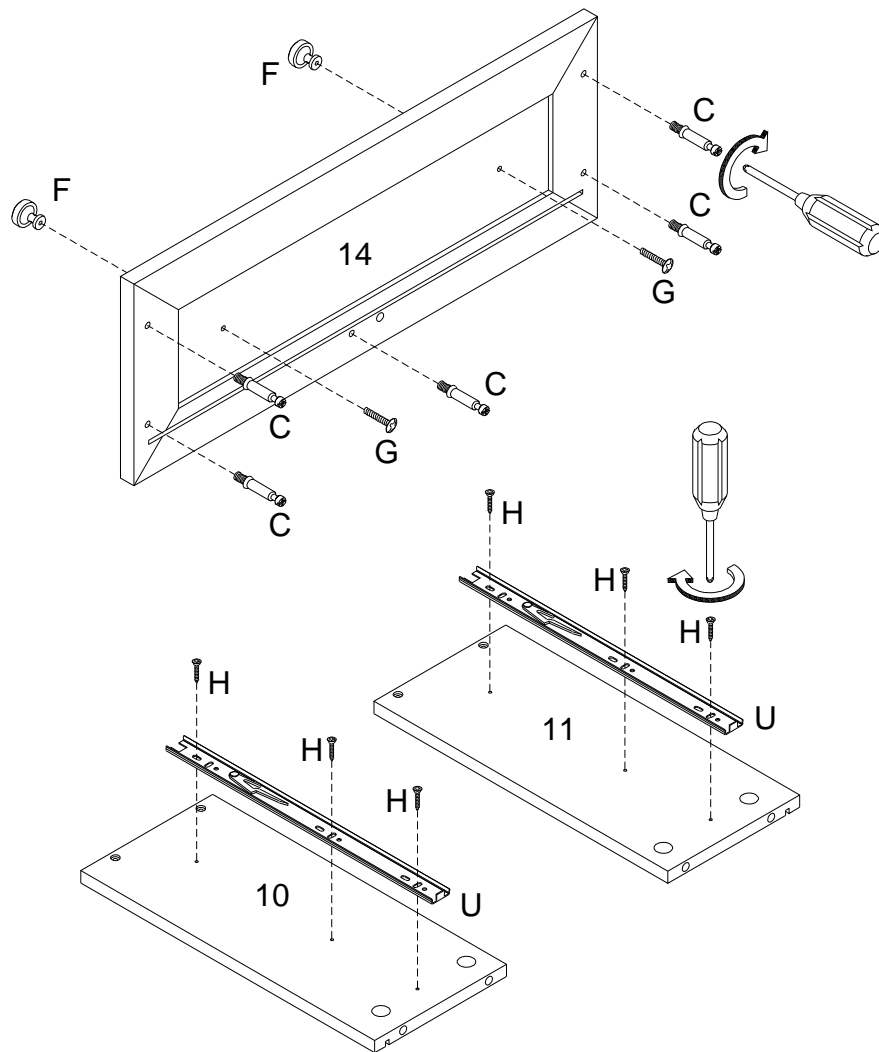
Insert wooden dowel (A) into parts (1,6,15), using screw (T) attach USB interface to part (6) with Philips head screwdriver as per diagram.

Step 3



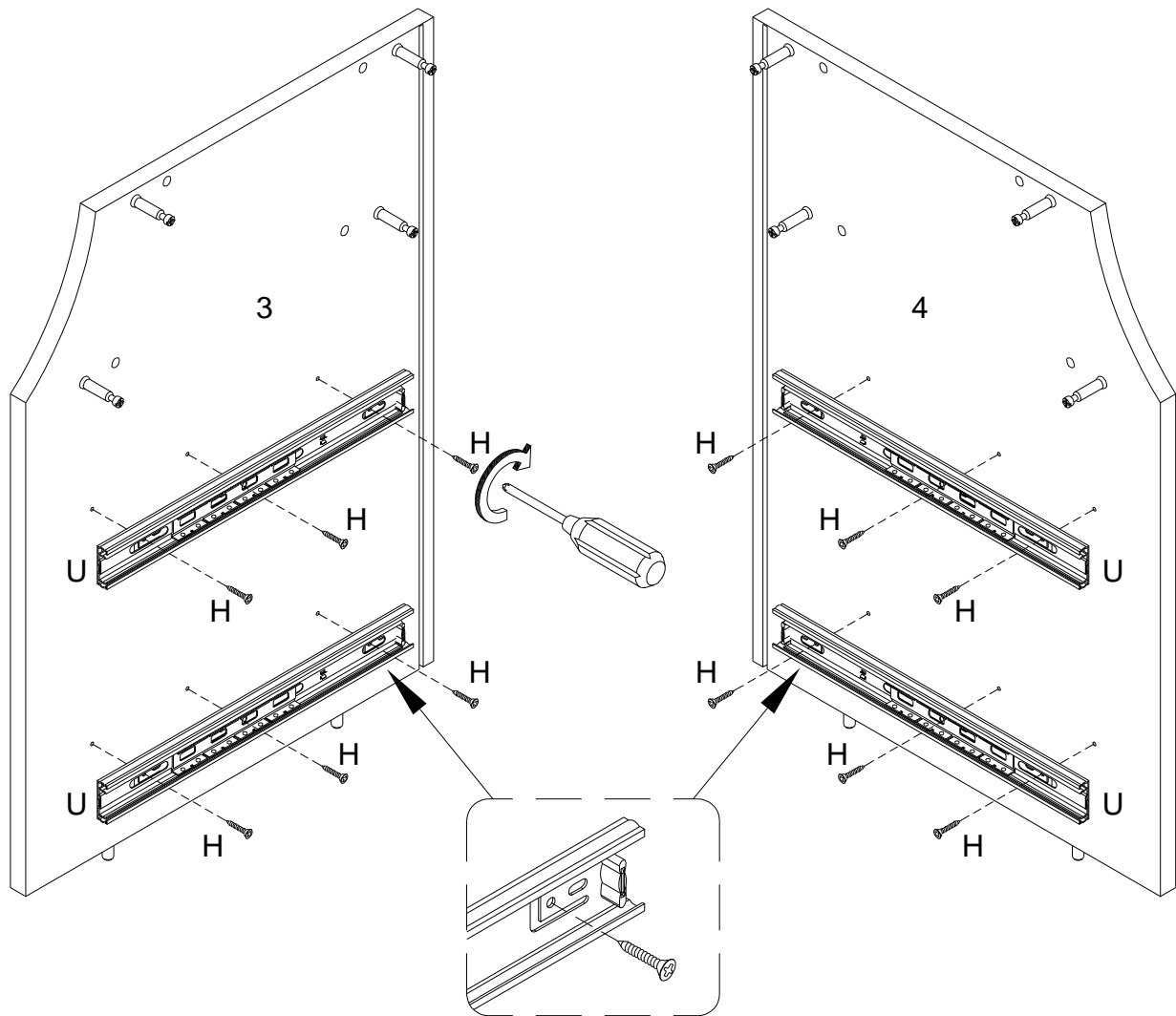
Insert wooden dowel (A) into parts (3,4), and secure Cam bolt (C) into parts (3,4) with Philips head screwdriver as per diagram.

Step 4



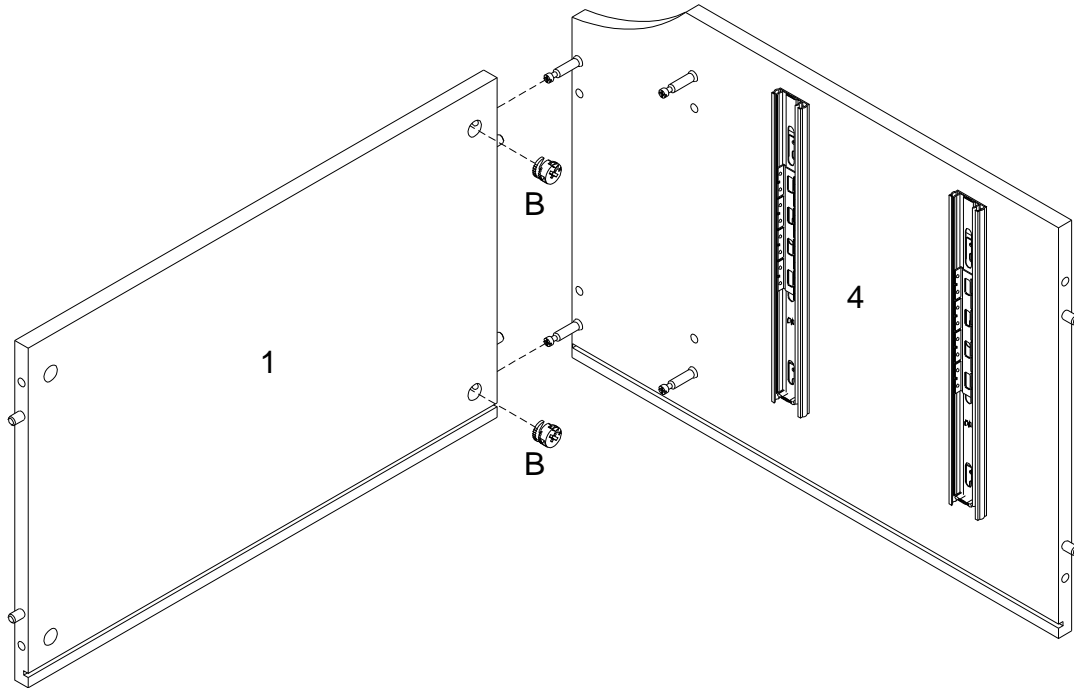
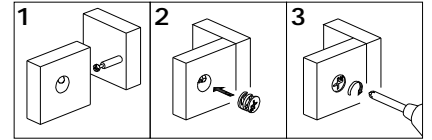
Secure Cam bolt (C) into part (14), then using handle bolt (G) secure handle (F) to part (14) and using screw (H) attach drawer slider (U) to parts (10,11) with Philips head screwdriver as per diagram.

Step 5



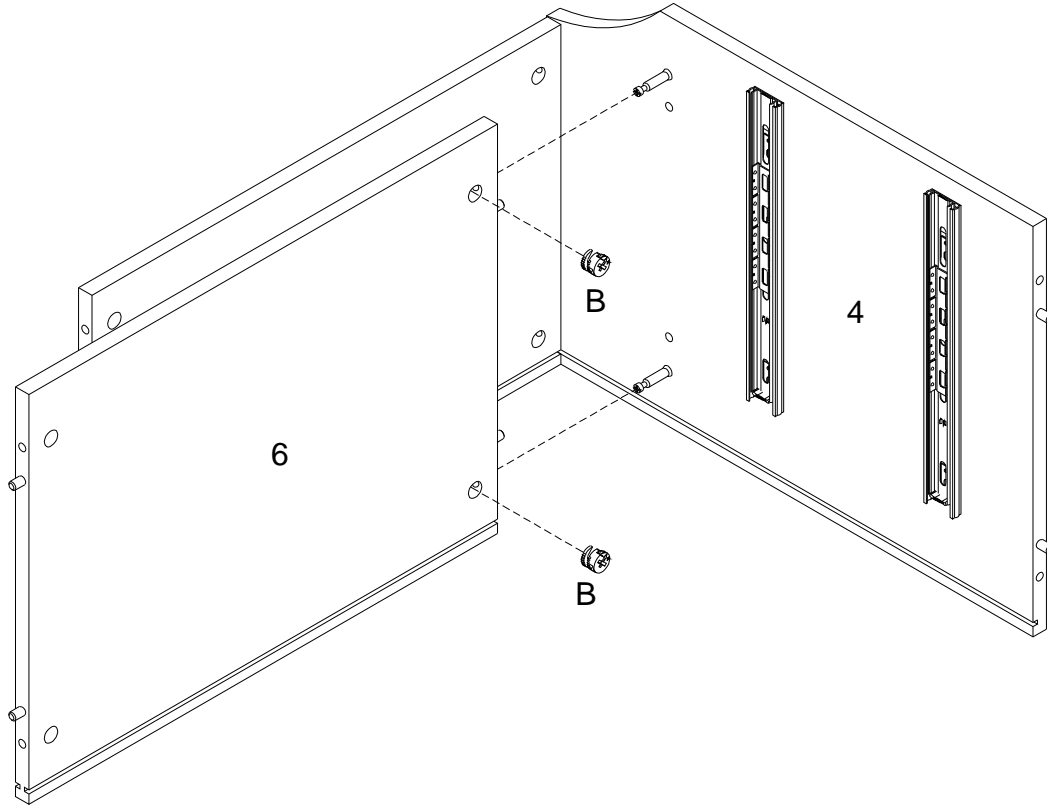
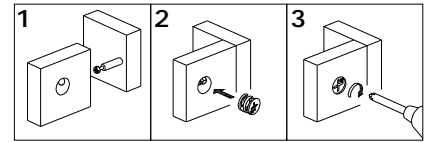
Using screw (H) attach drawer slider (U) to parts (3,4) with Philips head screwdriver as per diagram.

Step 6



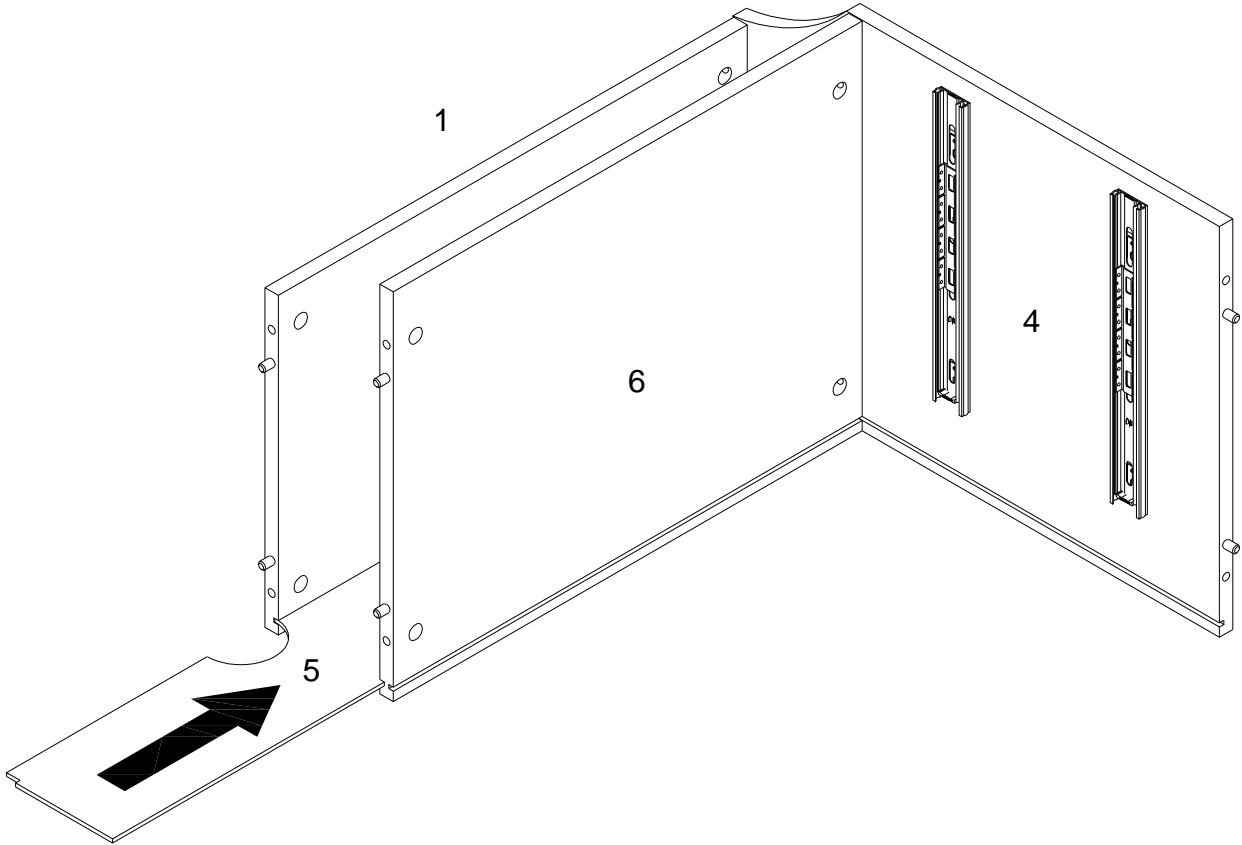
Using Cam lock(B) secure part (1) to part (4) with Philips head screwdriver as per diagram.

Step 7



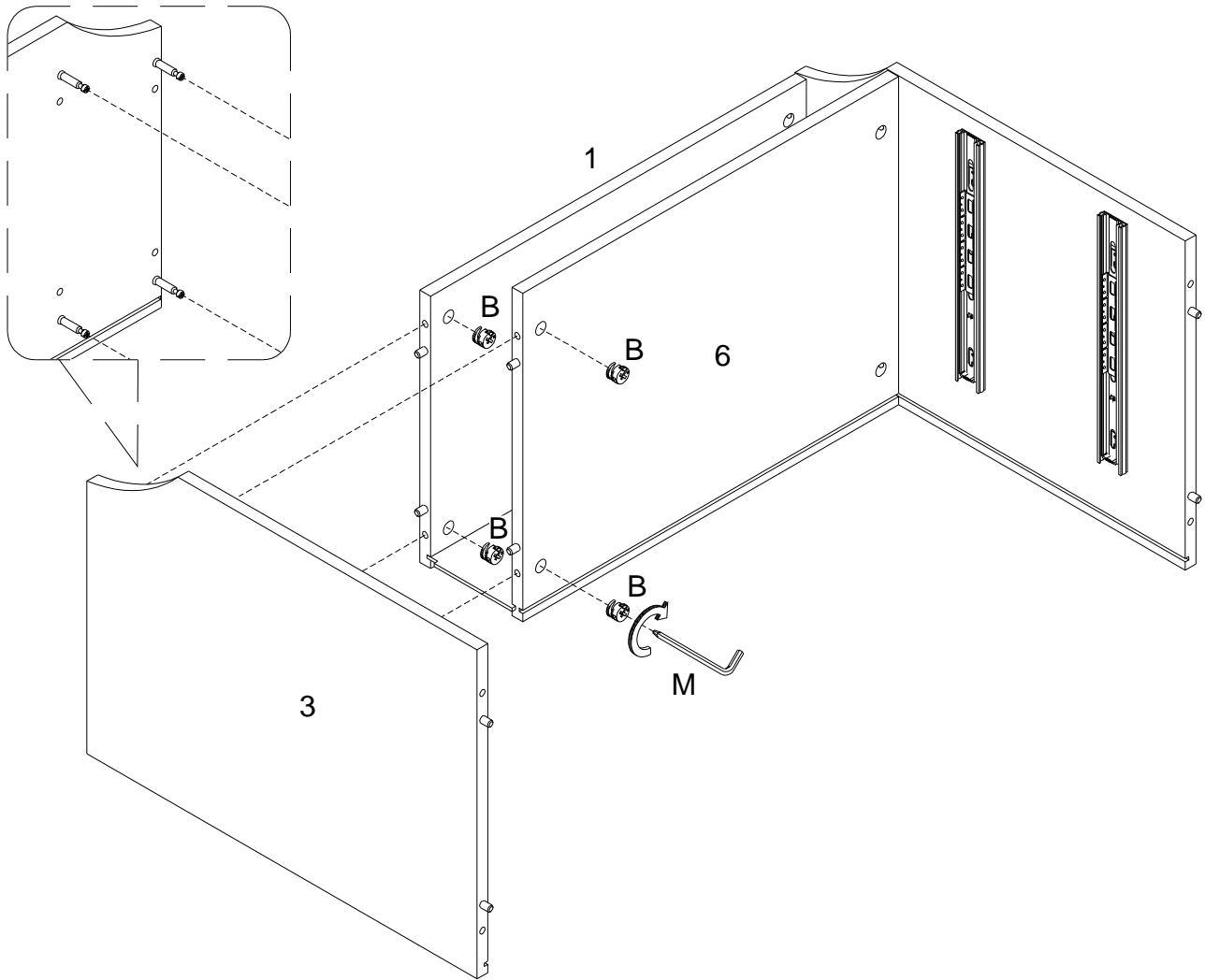
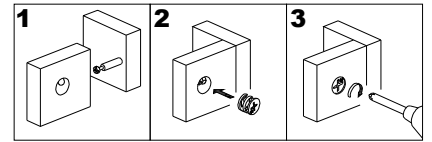
Using Cam lock(B) secure part (6) to part (4) with Philips head screwdriver as per diagram.

Step 8



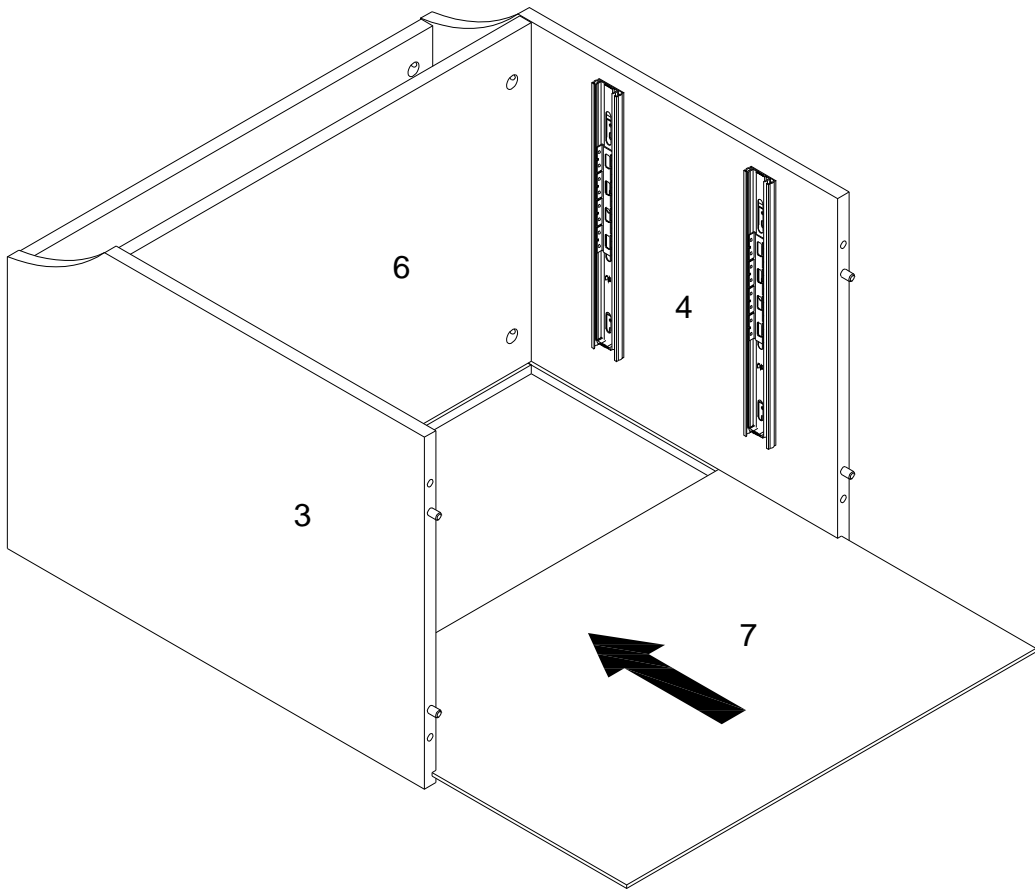
Put part (5) as per diagram.

Step 9



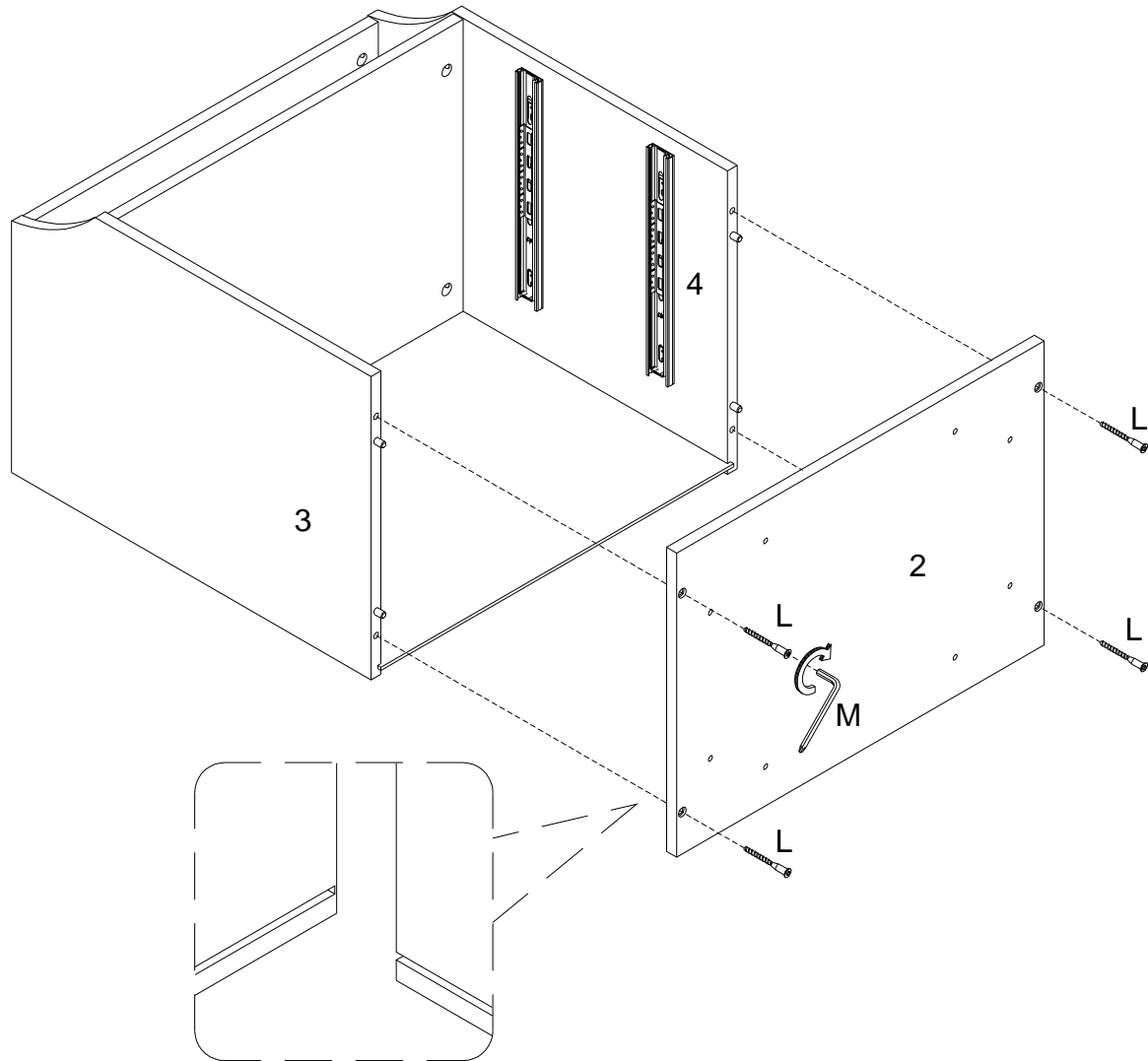
Using Cam lock(B) secure part (3) to parts (1,6) with Hex key (M) as per diagram.

Step 10



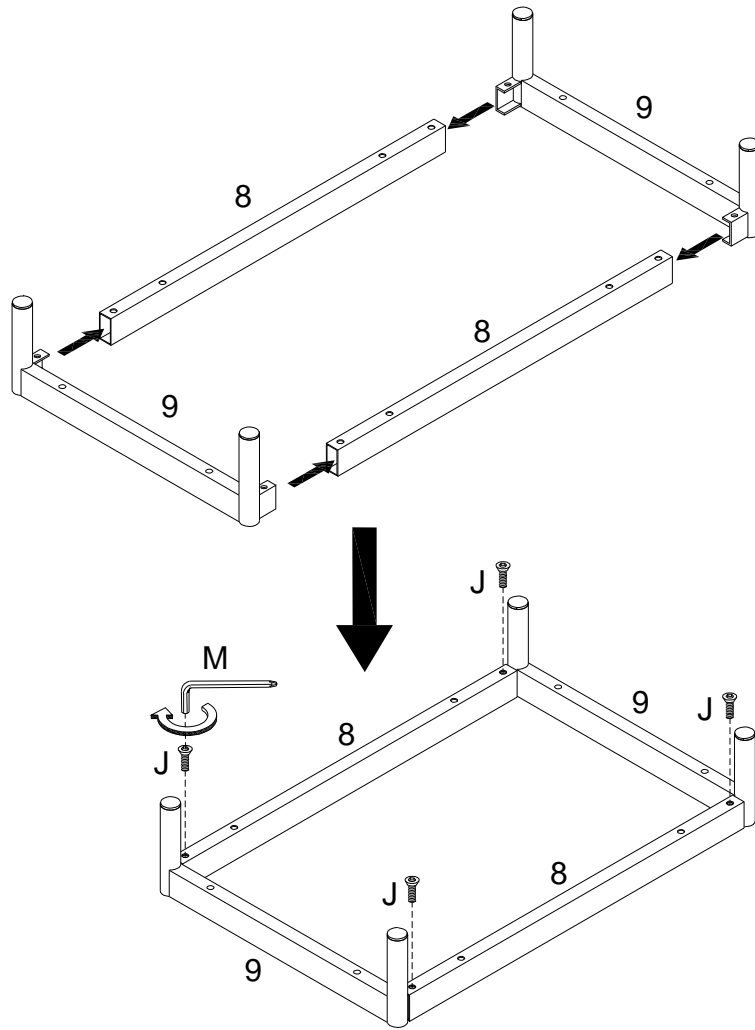
Put part (7) as per diagram.

Step 11



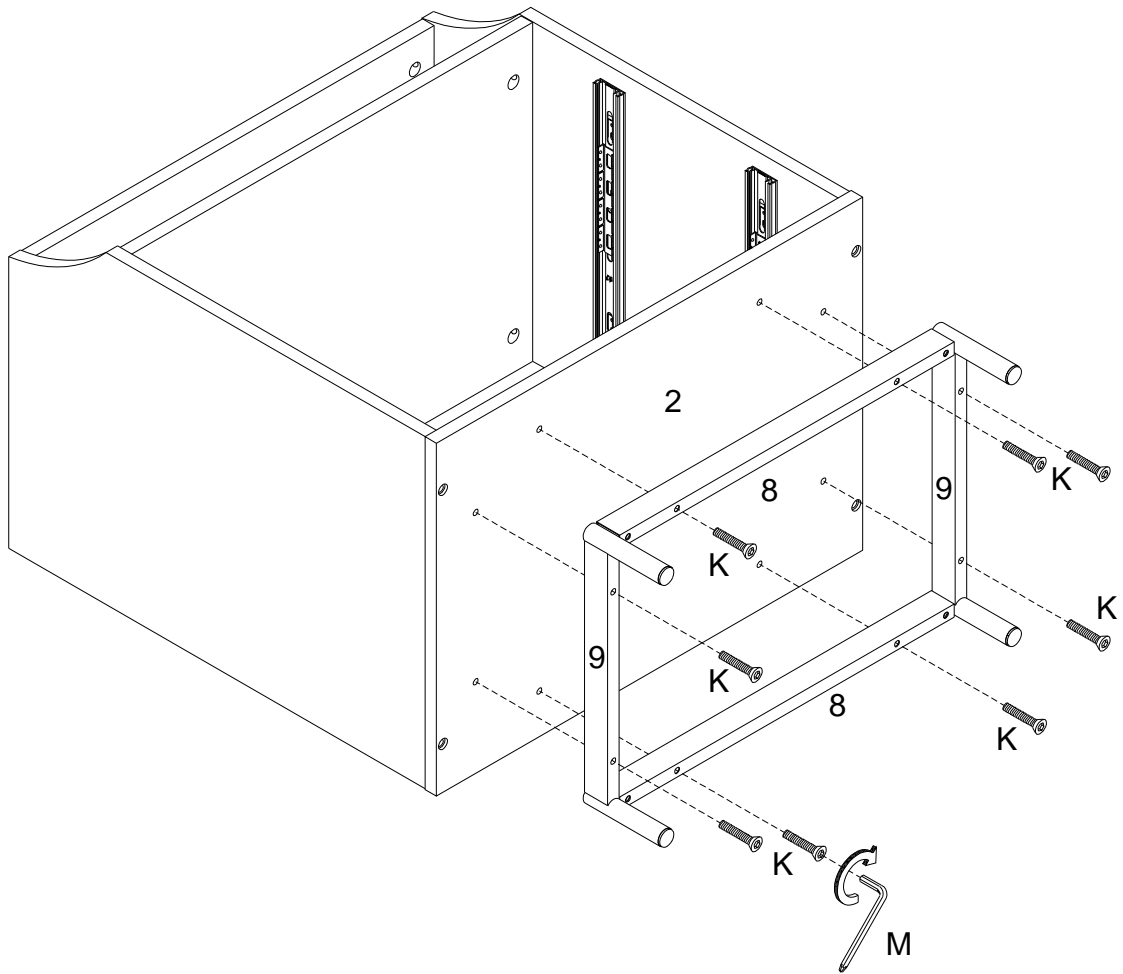
Using screw (L) attach part (2) into parts (3,4) with Hex key (M) as per diagram.

Step 12



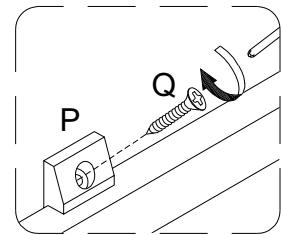
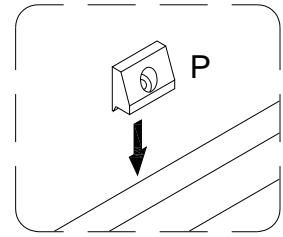
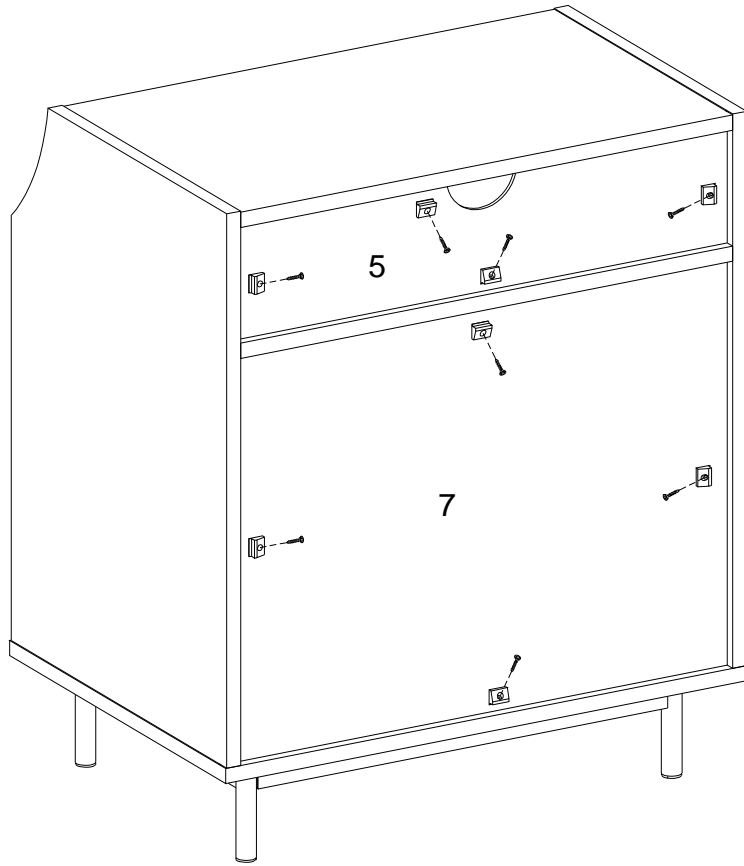
Attach parts (9) into part (8) ,then using bolt (J) secure part (8) to part (9) with hex key (M) as per diagram.

Step 13



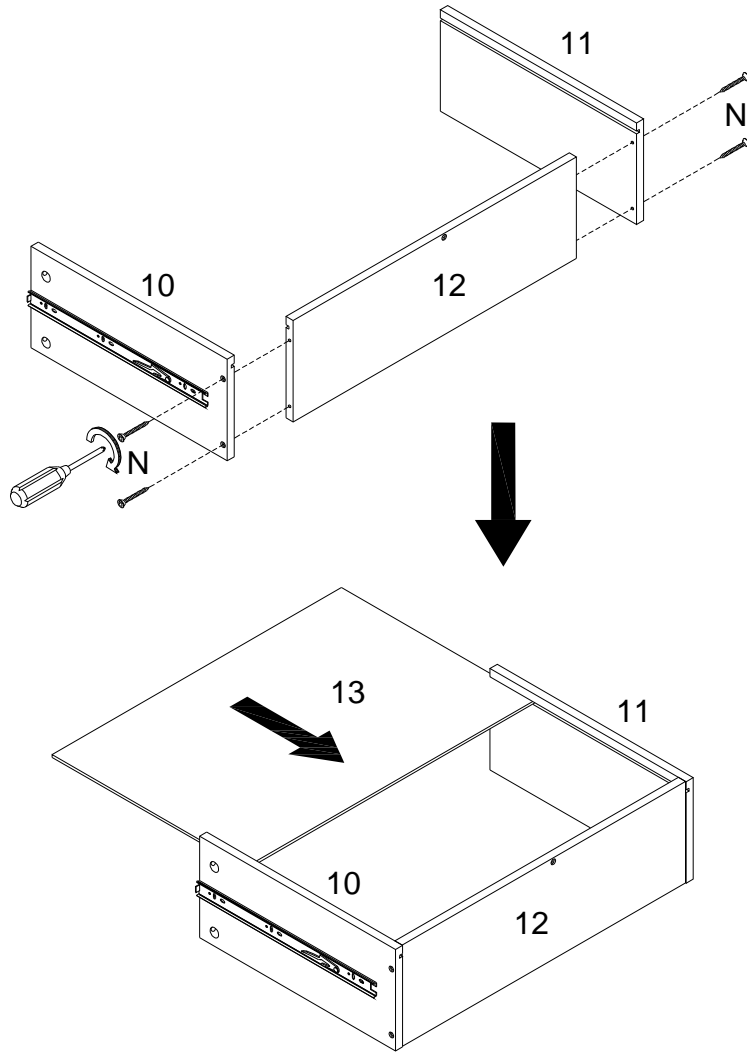
Using bolt (K) attach parts (8,9) to part (2) with Hex key (M) as per diagram.

Step 14



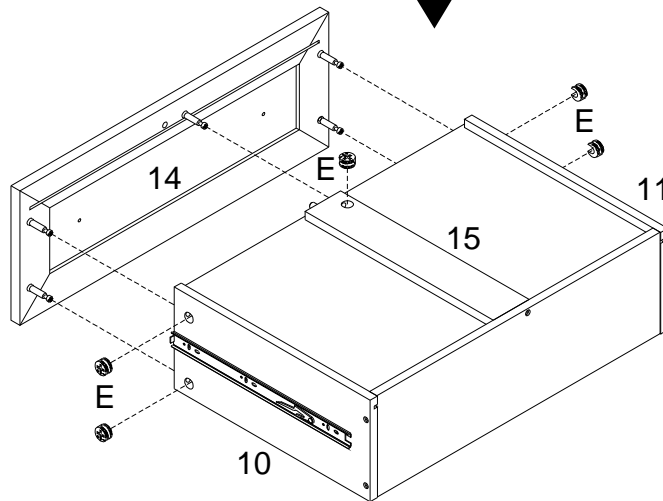
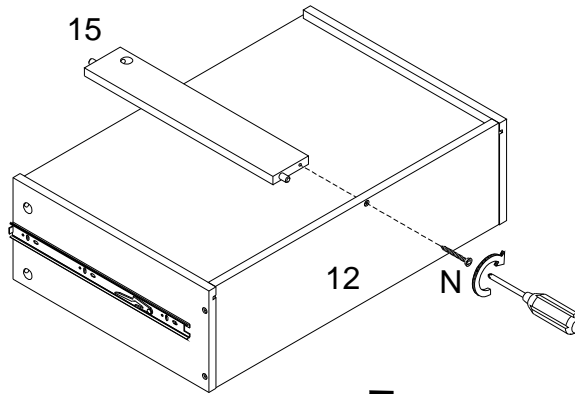
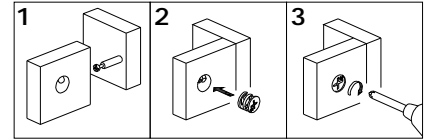
Using screw (Q) secure plastic wedge (P) to parts (5,7) with Philips head screwdriver as per diagram.

Step 15



Using screw (N) attach parts (10,11) to part (12) with Philips head screwdriver ,then put part (13) as per diagram.

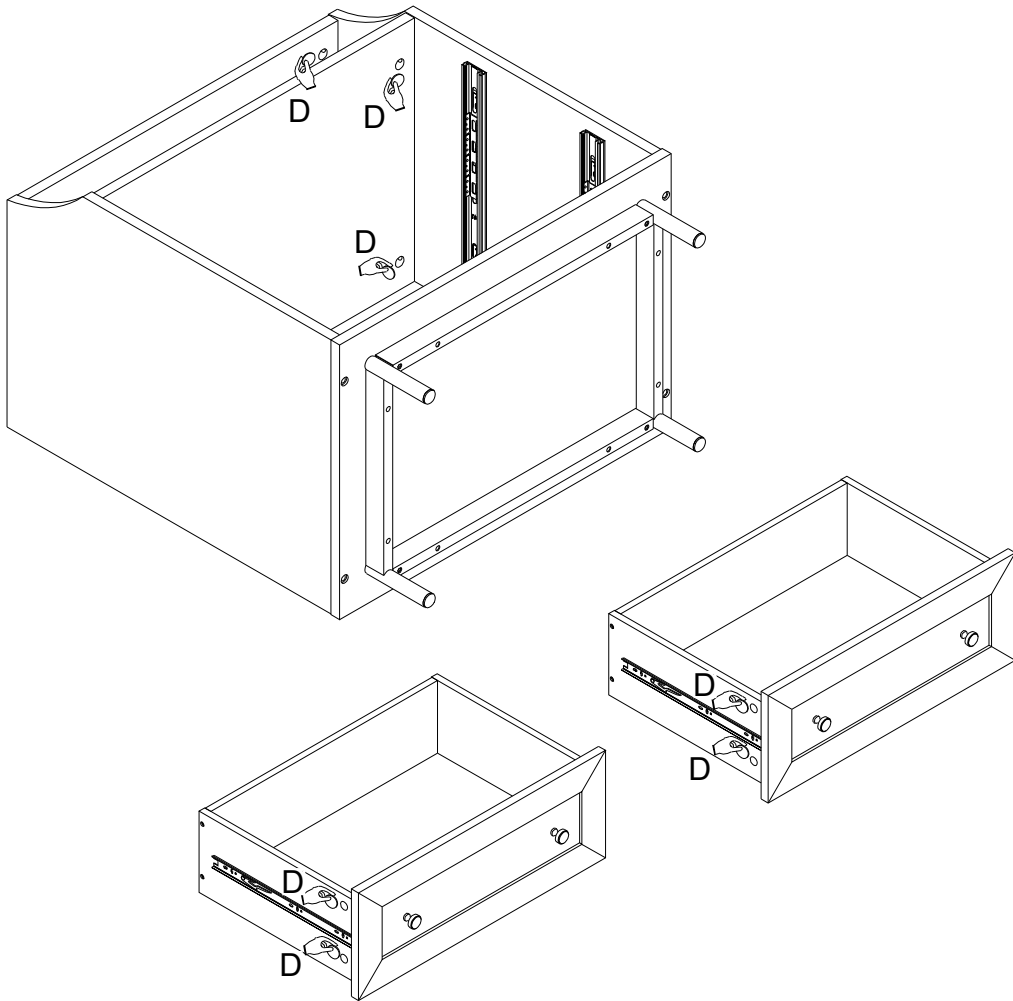
Step 16



x 2

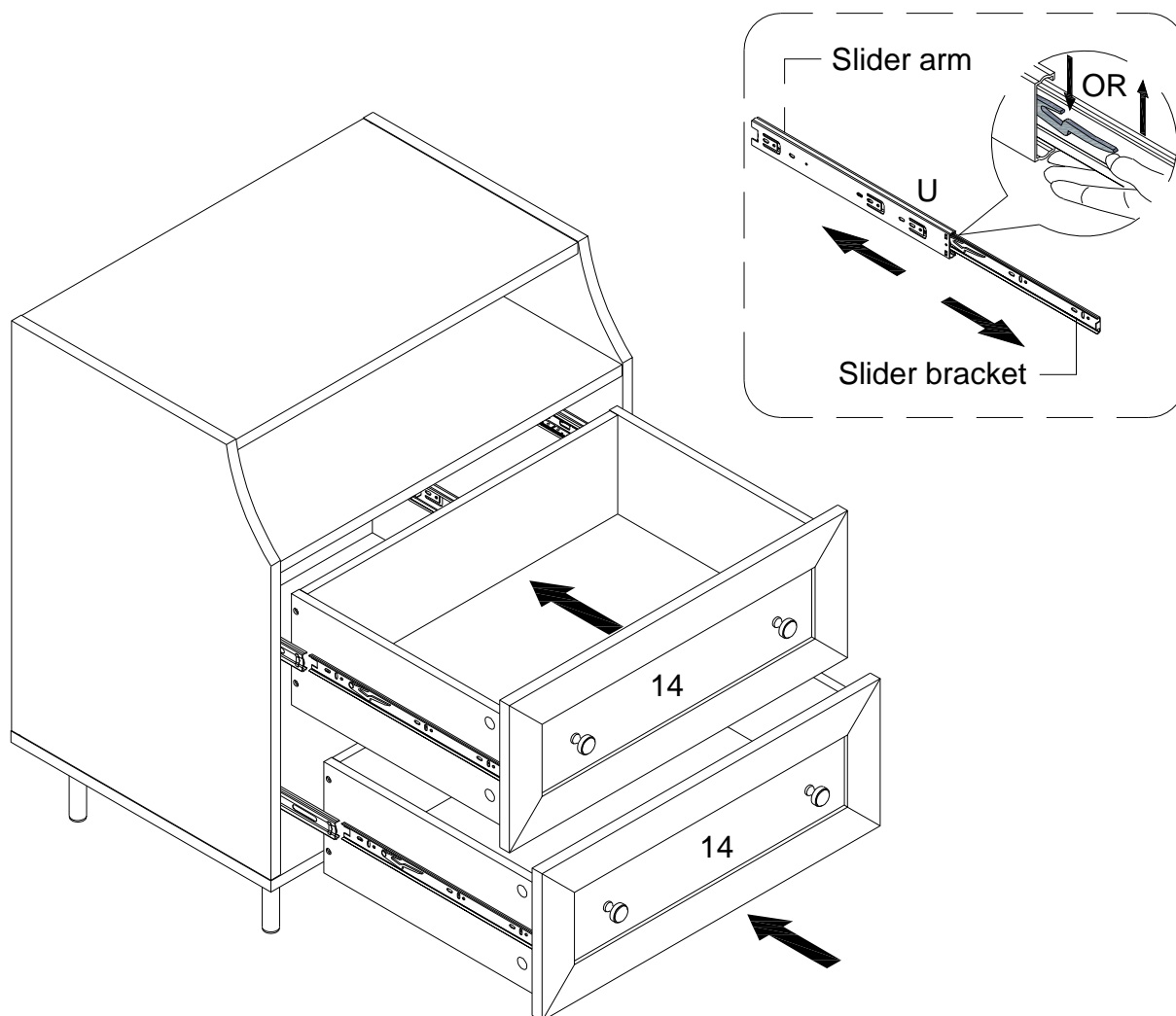
Using screw (N) attach part (12) to part (15), then using cam lock (E) secure part (14) to parts (10,11,15) with Philips head screwdriver as per diagram.

Step 17



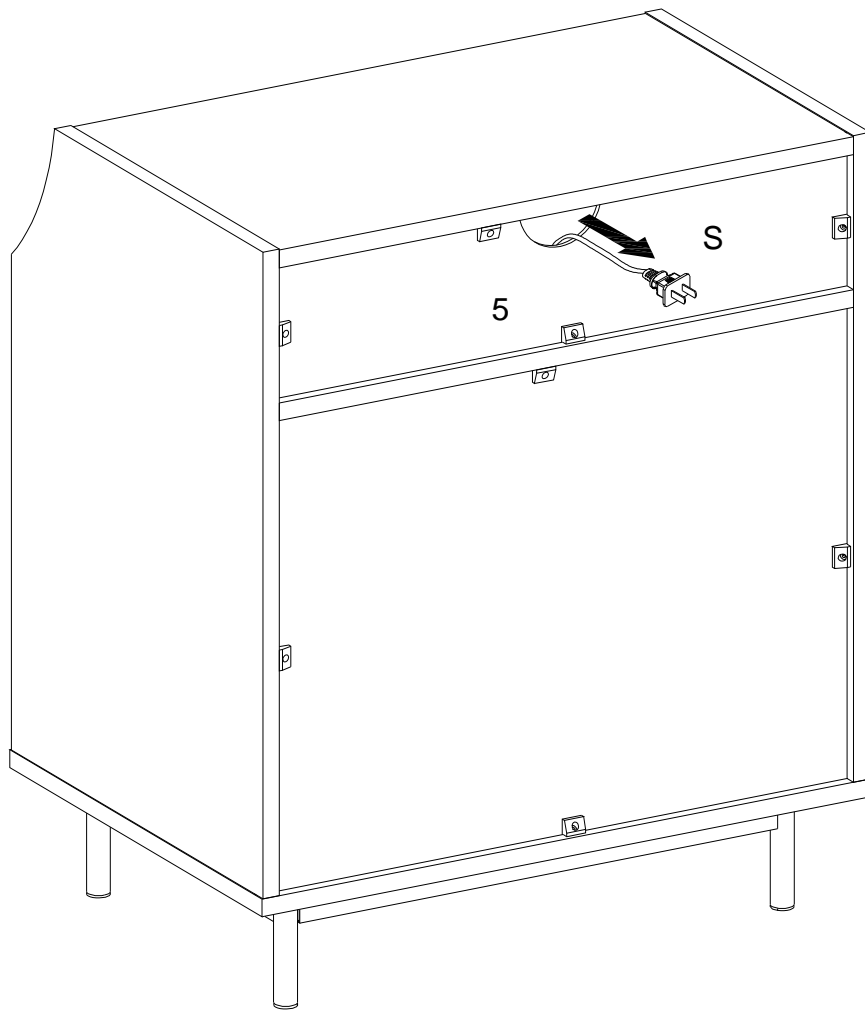
Place sticker (D) cover the holes as per diagram .

Step 18



Insert the assembled drawers into the unit frame, extend the Ball Bearing Slide Tracks (U) on the pedestal Side Panel all the way forward .Then align the Slide Runners on the assembled drawers with the Slide Tracks and push the drawer carefully inside until it stops. Note : if the drawer does not go in smoothly, please take it out and repeat the step. If you need to remove the drawer, please pull the drawer all the way out,press or lift the plastic release lever and pull out the drawer and then re-assembled the drawer until it was going in smoothly .

Step 19



Take out the plug (S) from the core management hole as per diagram.

Step 20



Final Assembly