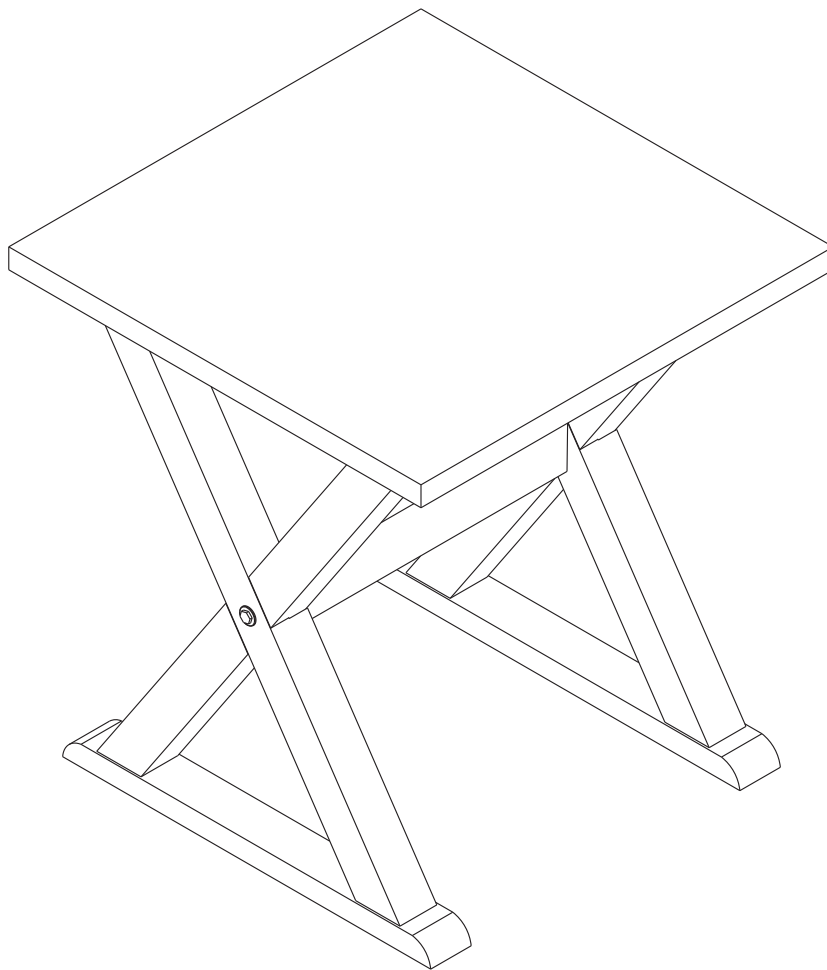


Item #: AF22RBXST

Assembly Instruction

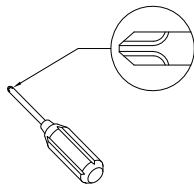


Please visit our website for the most current instructions, assembly tips report damage, or request parts. www.walkeredison.com

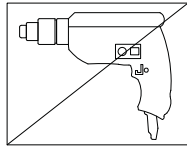
Revised 10/2020

General Assembly Guidelines

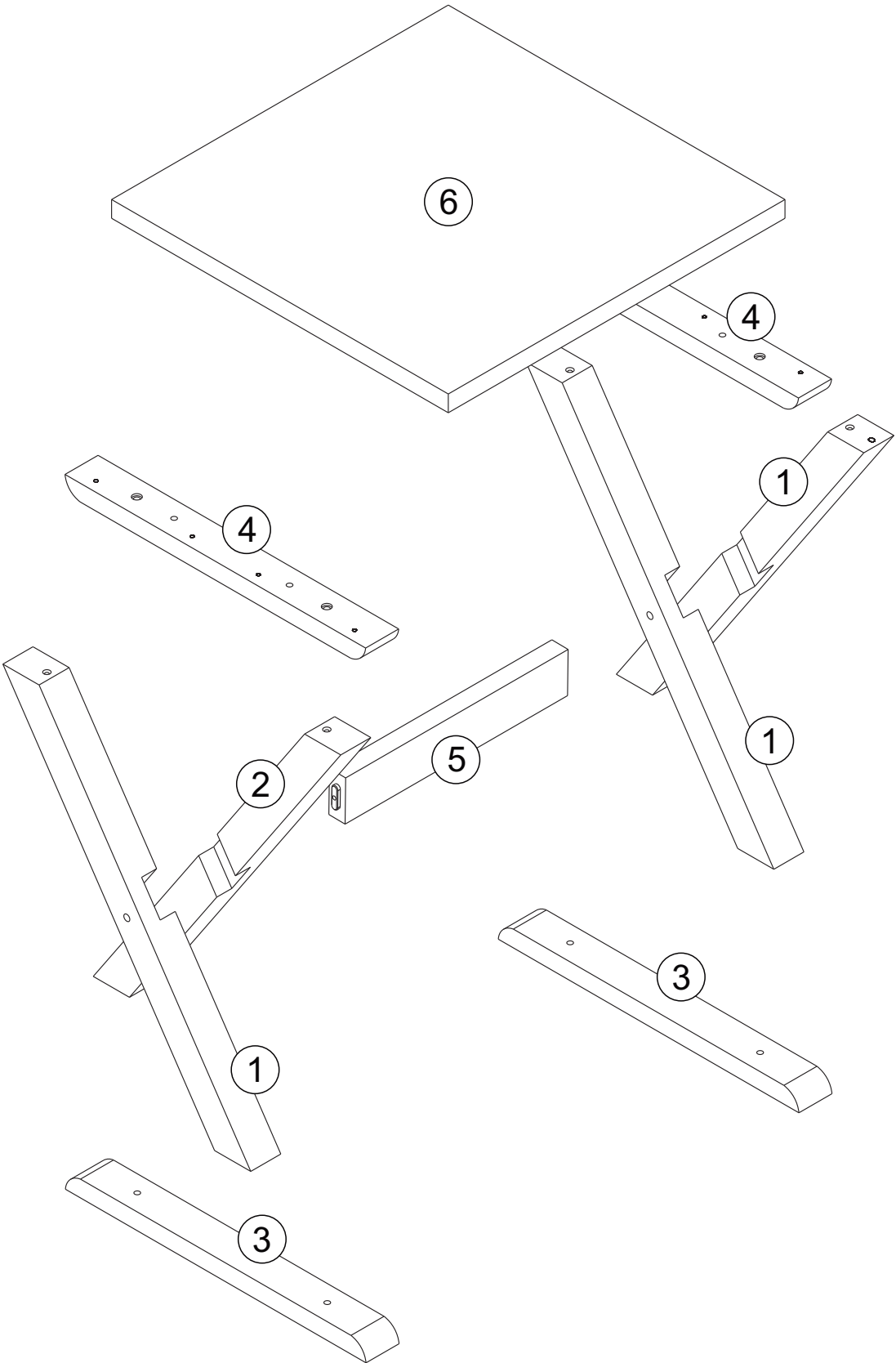
- I. Ensure that all parts and hardware are available before beginning assembly.
- II. Follow each step carefully to ensure the proper assembly of this product.
- III. Two people are recommended for ease in the assembly of this product.
- IV. The three main types of hardware used to assemble this product are : wood dowels , screws and bolts.
- V. A Phillips head screwdriver is required for the assembly of this product .



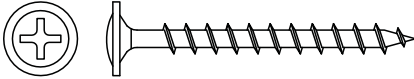
- VI. Power tools should not be used to assemble this product .



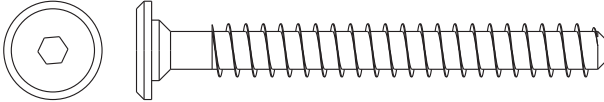
Parts List

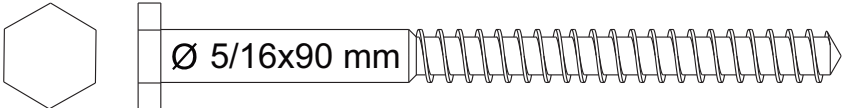


Hardware List

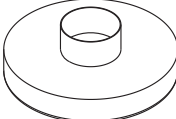
A  Ø 4,0x40 mm Screw 08 pcs

B  Ø 8,0x30 mm Wood dowel 04 pcs

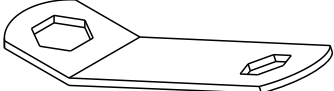
C  Ø 7,0x60 mm Bolt 08 pcs

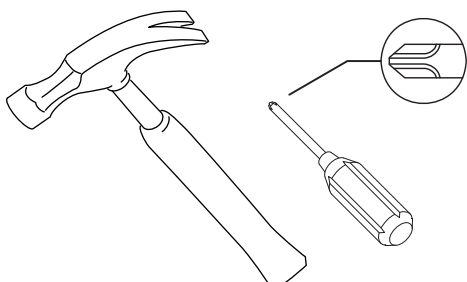
D  Ø 5/16x90 mm Bolt 02 pcs

E  Washer Black 02 pcs

F  Plastic foot 04 pcs

G  Hex key 01 pc

H  key 01 pc

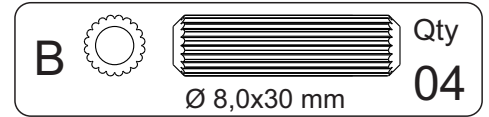
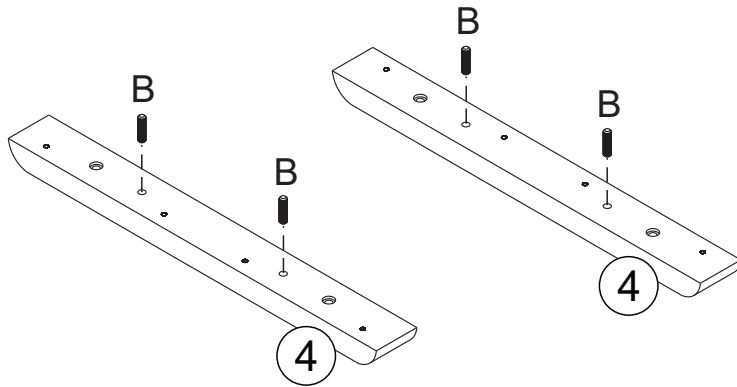


Philips head screwdriver required for assembly
(not included)

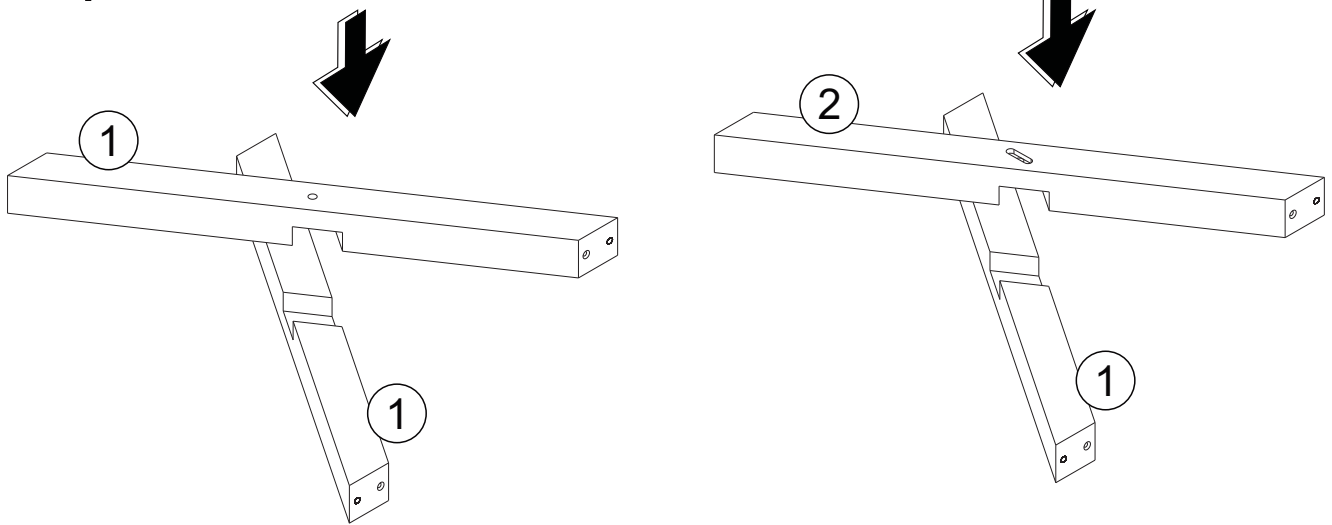
Mallet or hammer recommended for assembly
(not included)

*The hardware quantities listed above are required for proper assembly.
Some extra hardware may also have been included.*

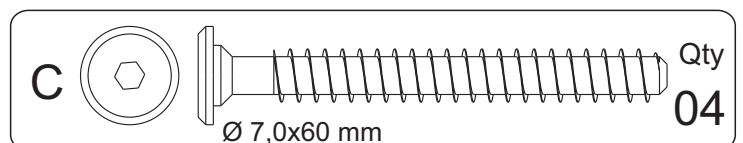
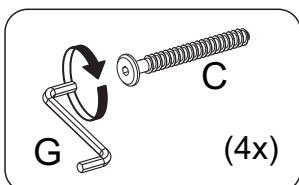
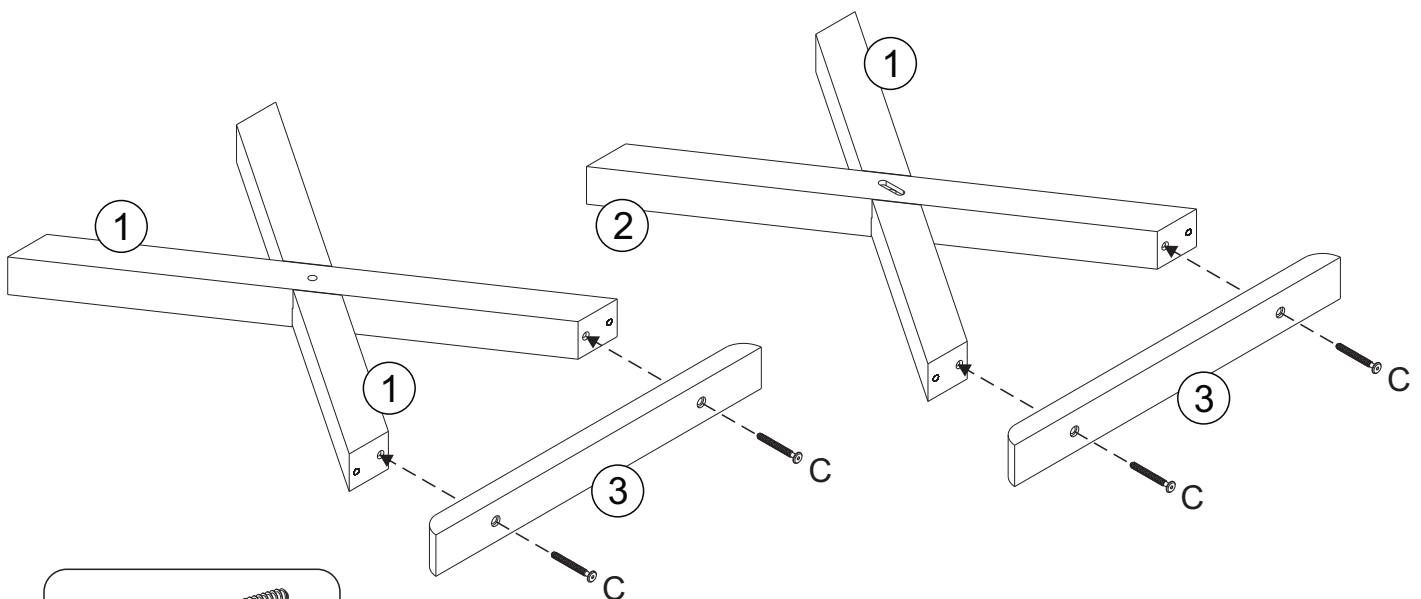
Step 1 Place Wood Dowels (B) into Part 4



Step 2 Connect Parts 1 and 1, 1 and 2

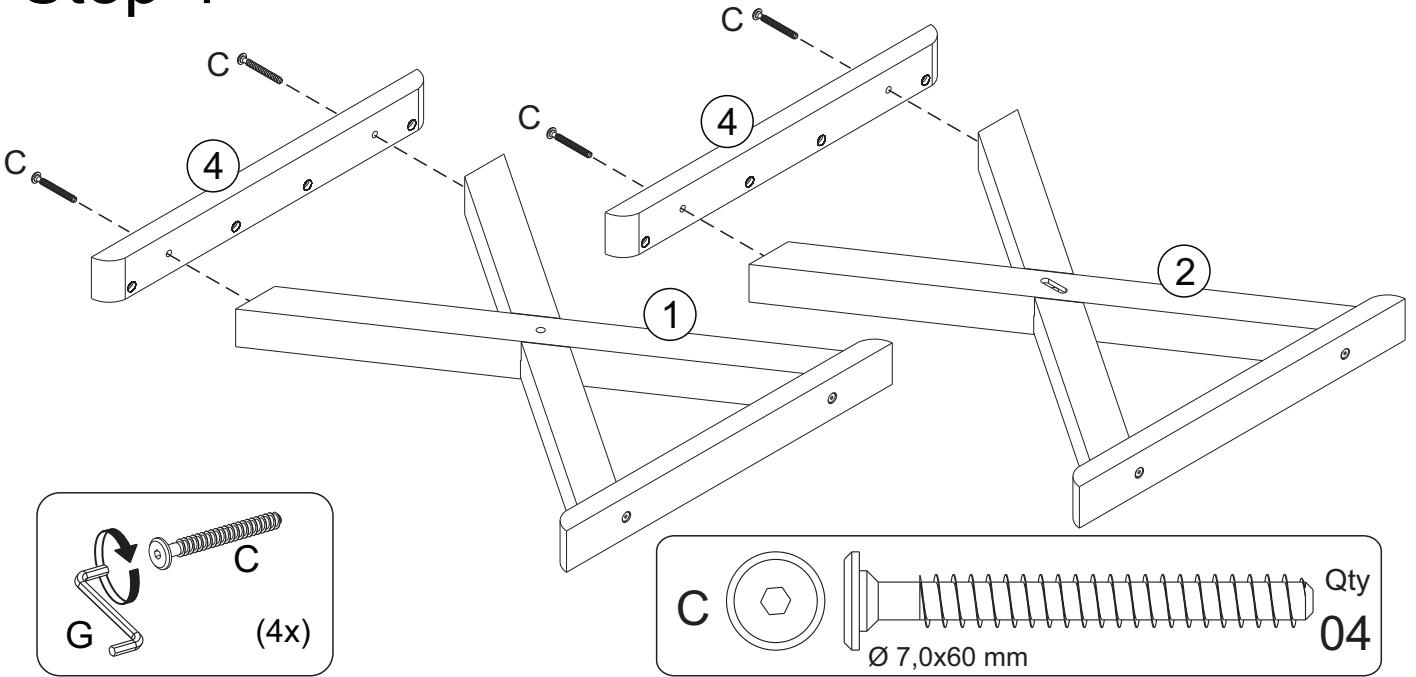


Step 3 Connect Parts 3 to the crosses using Bolt C



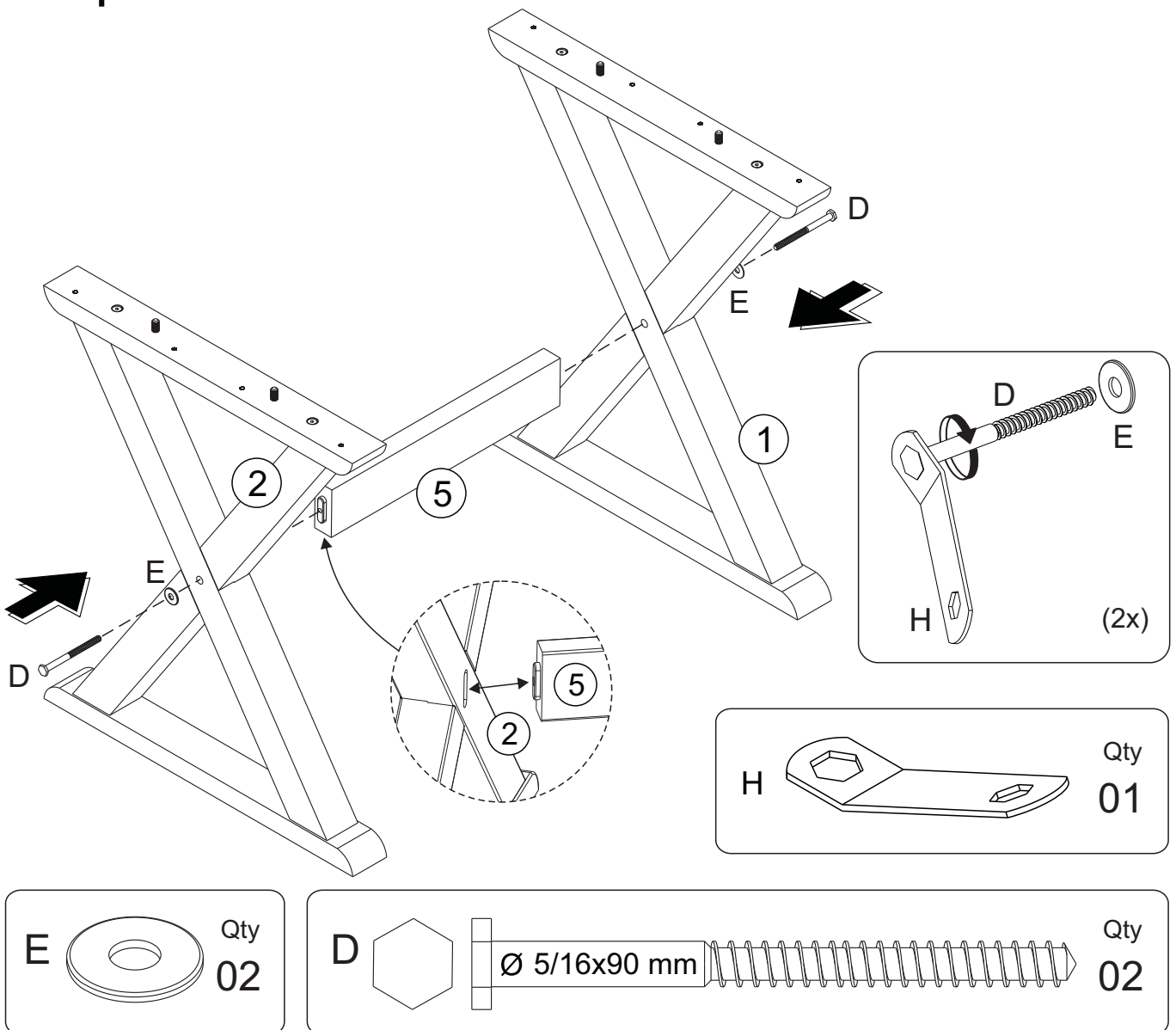
Step 4

Connect Parts 4 to parts 1 and 2 using Bolt C



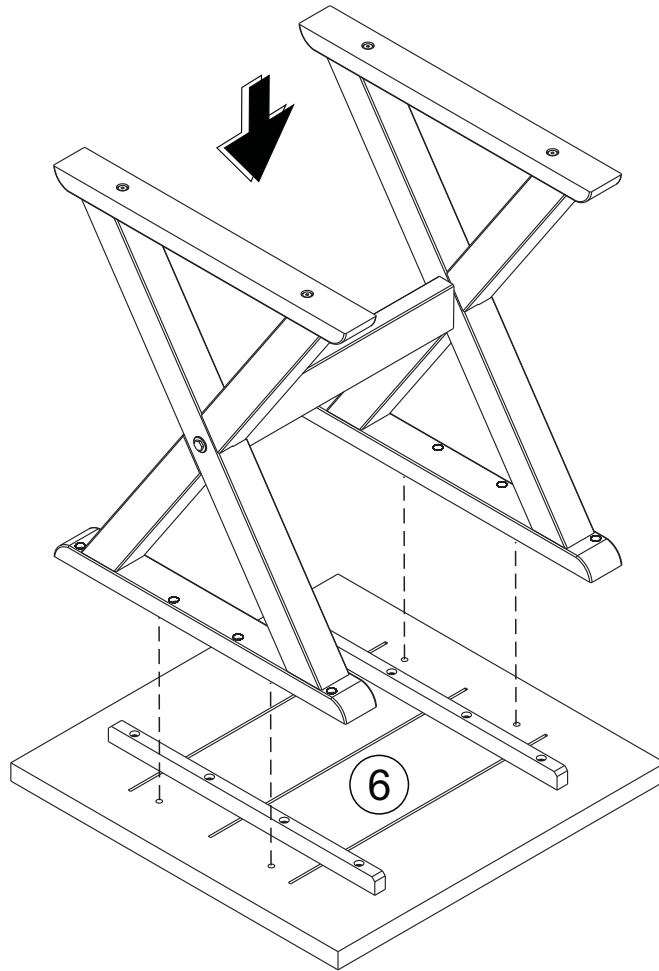
Step 5

Connect both legs using Part 5 using Bolt D and Washer E.



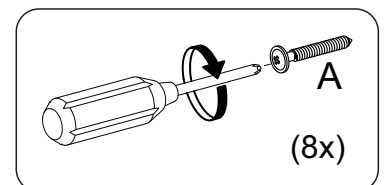
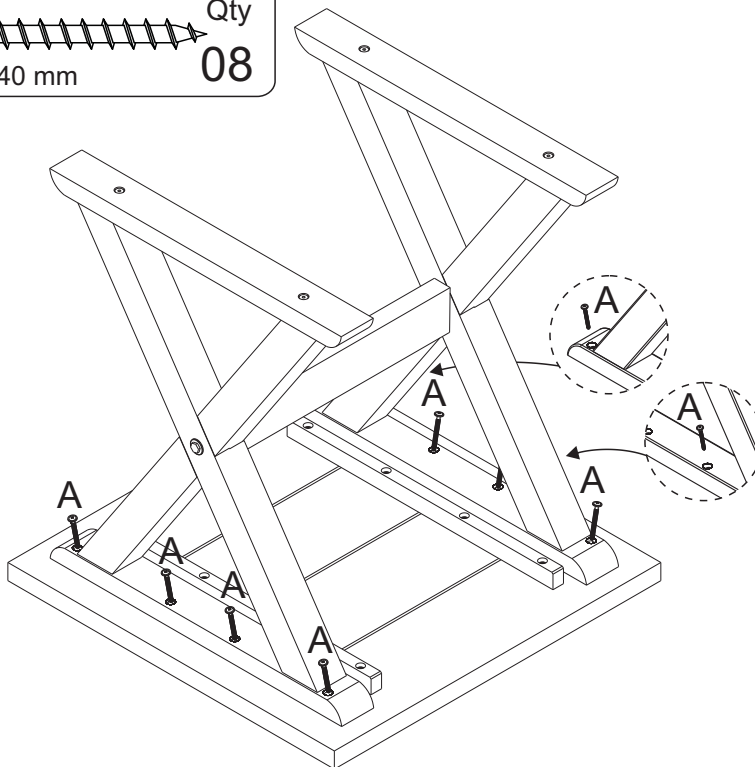
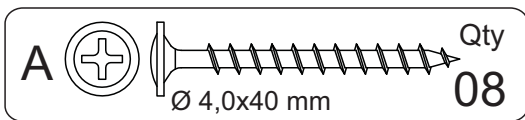
Step 6

Place Legs on Part 6



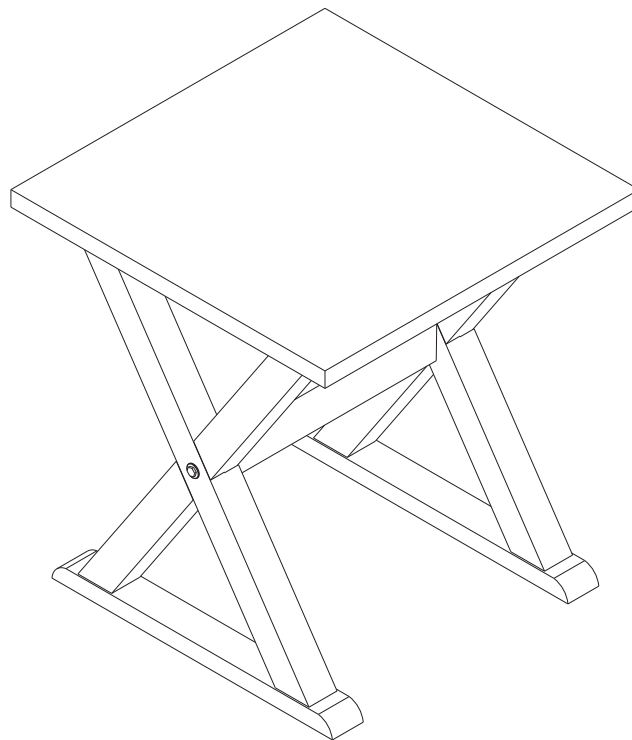
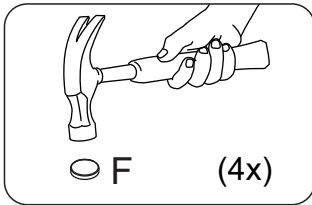
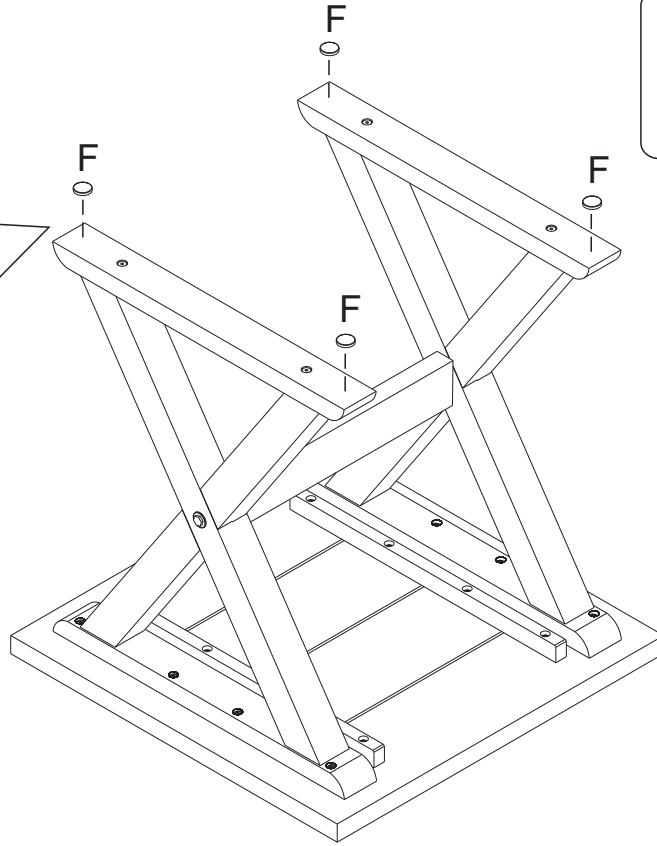
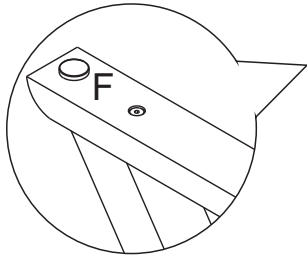
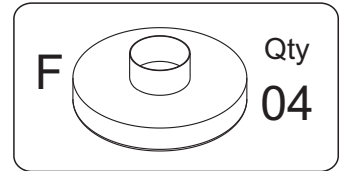
Step 7

Use Screw A to attach legs to part 6



Step 8

Attach Plastic foot F to the bottom of the legs



Final Assembly