

Item # : AF22DORST

Assembly Instructions



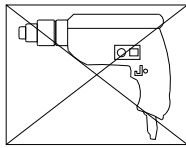
Walker Edison®

Please visit our website for the most current instructions, assembly tips, report damage, or request parts. www.walkeredison.com

Revised 10/07/2020 (1)

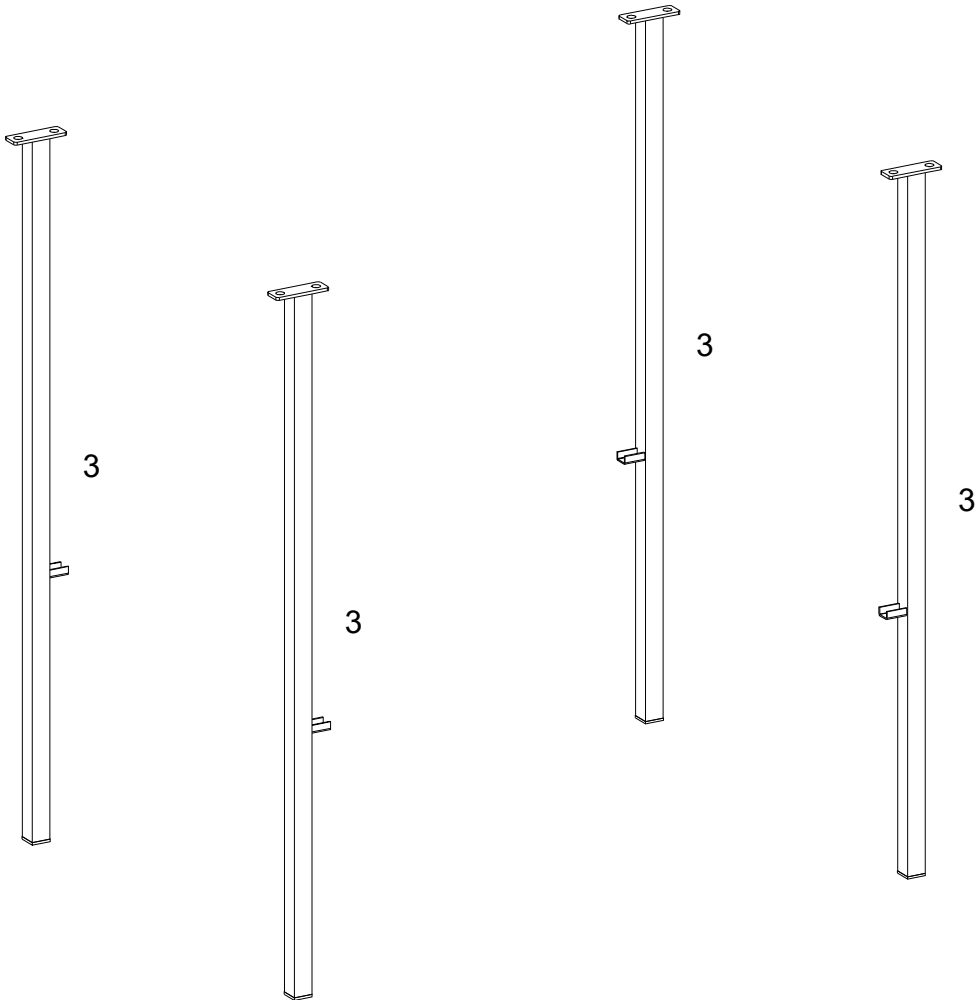
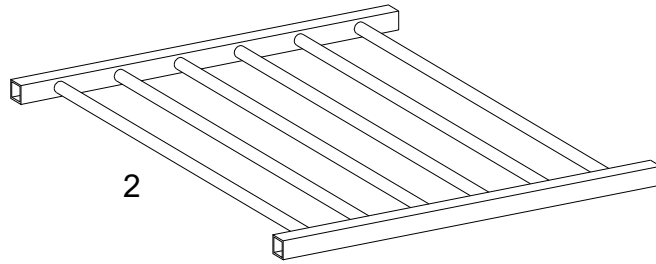
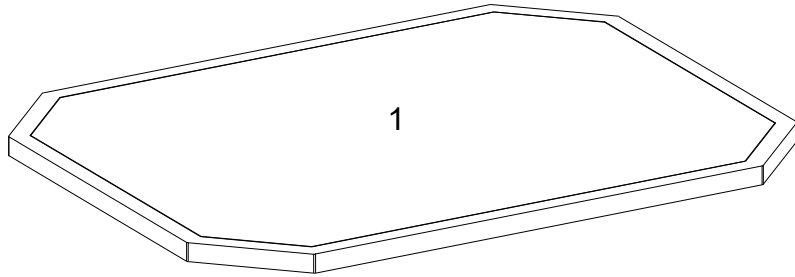
General Assembly Guidelines

- I. Ensure that all parts and hardware are available before beginning assembly.
- II. Follow each step carefully to ensure the proper assembly of this product.
- III. Two people are recommended for ease in the assembly of this product.
- IV. The main type of hardware used to assemble this product are: bolts and screws.
- V. Power tools should not be used to assemble this product.



- VI. Drill may be needed for securing product to wall.

Parts List

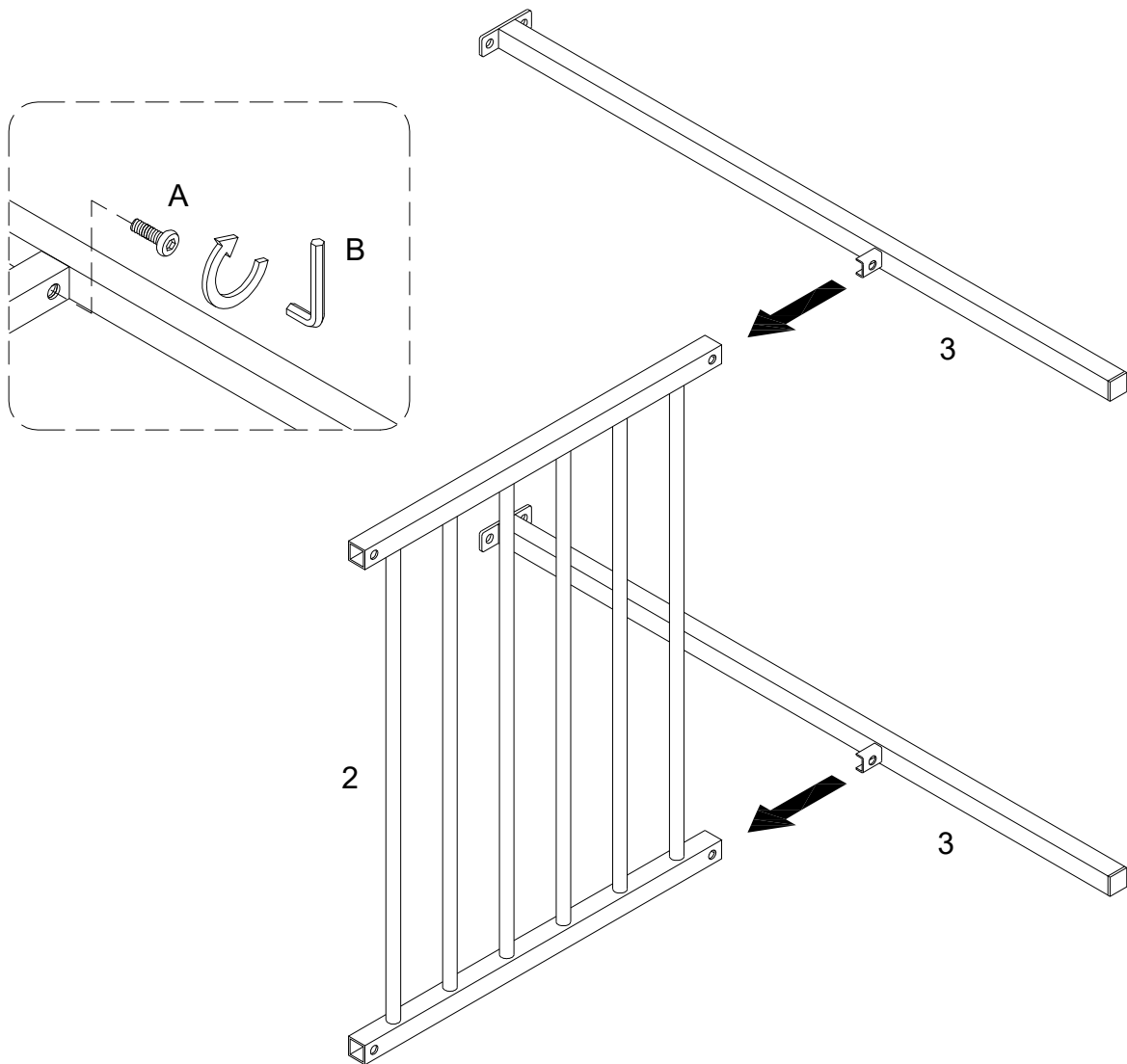


Hardware List

A		M6x12mm	Bolt	12 pcs
B		M4	Hex Key	1 pc

*The hardware quantities listed above are required for proper assembly.
Some extra hardware may also have been included.*

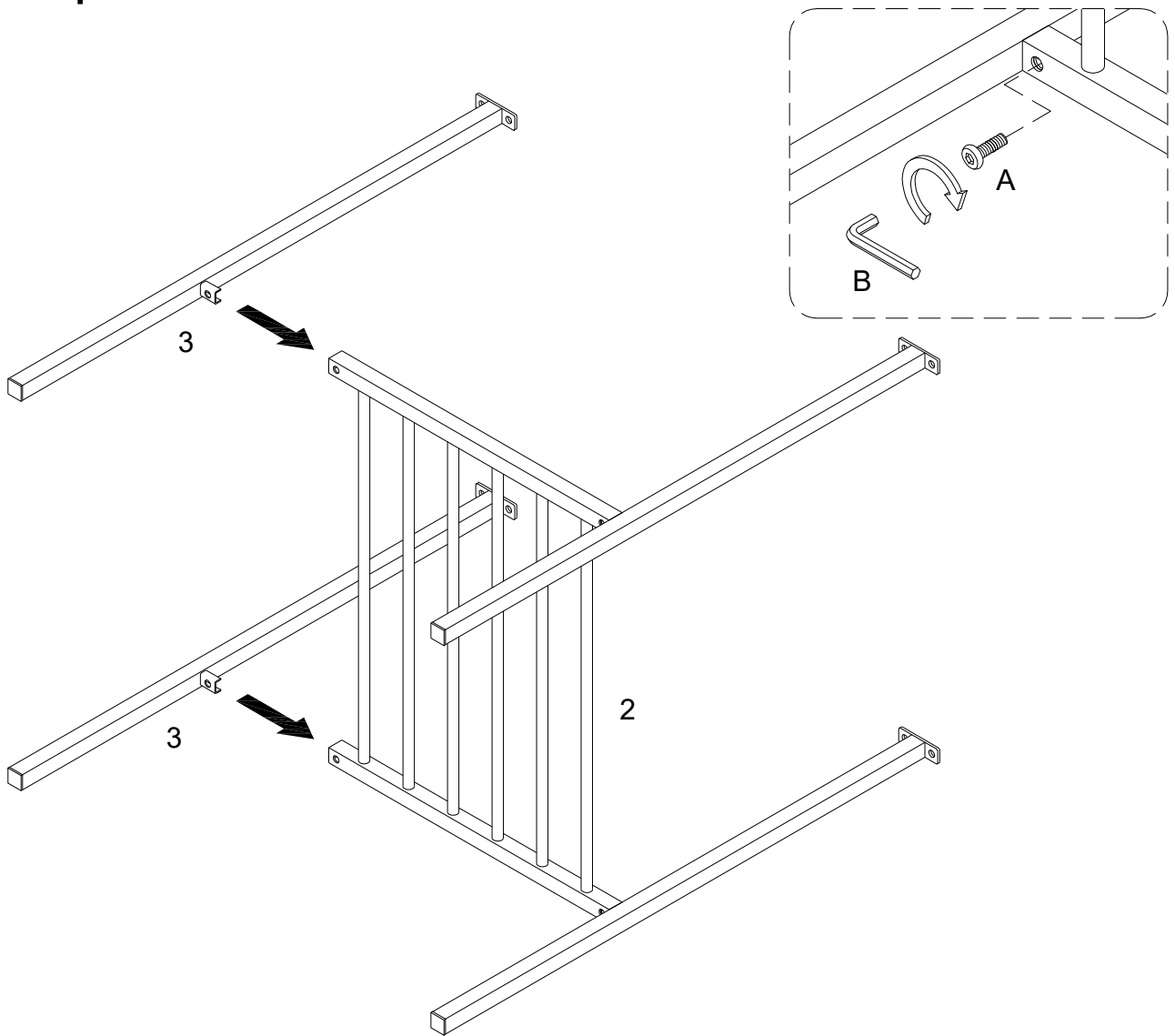
Step 1



Attach part (3) to part (2) ,then using bolt (A) secure part (2) to part (3) with Hex key (B) as per diagram.

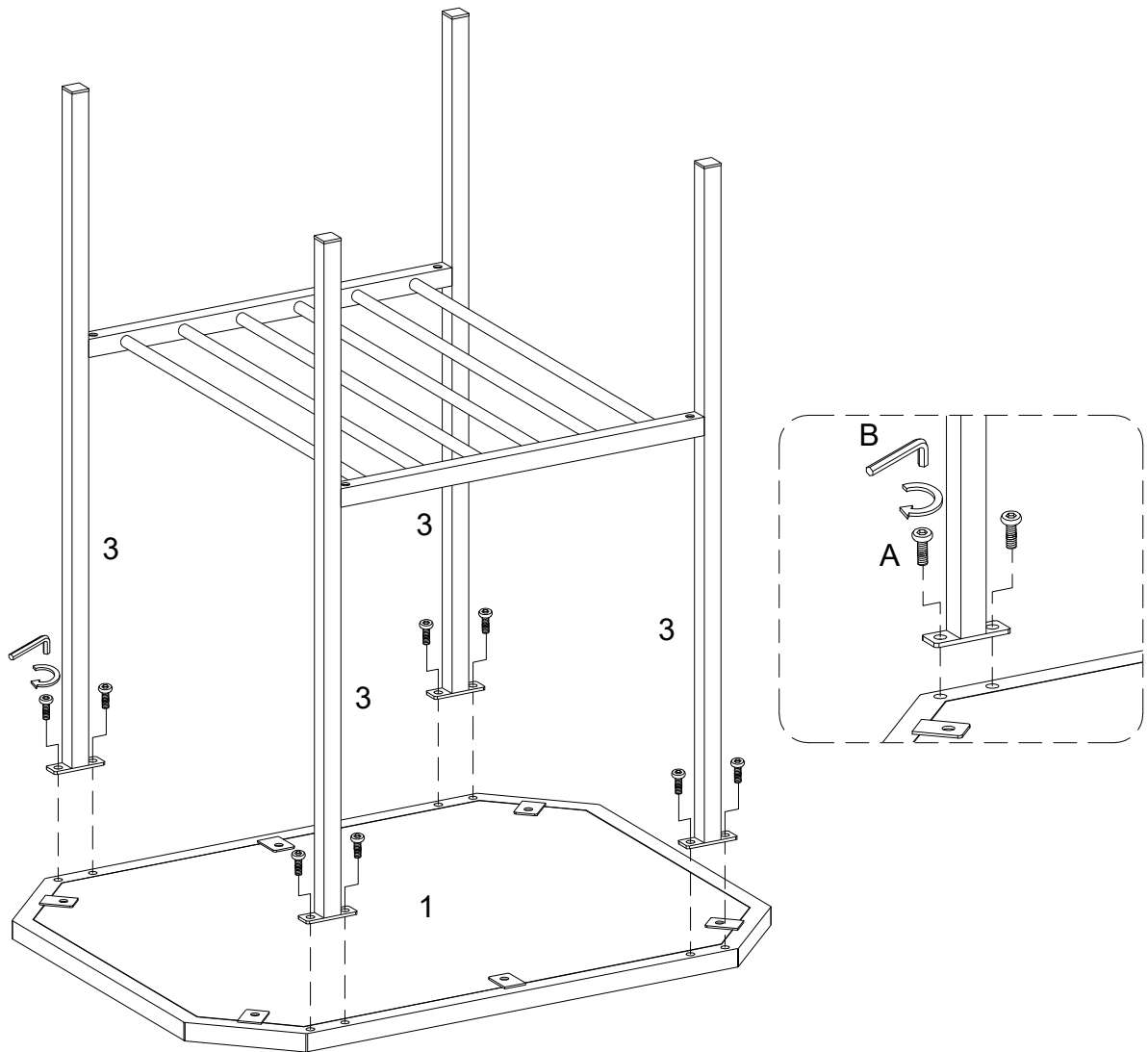
Note: Please do not fully tighten all bolts.

Step 2



Attach part (3) to part (2) ,then using bolt (A) secure part (2) to part (3) with Hex key (B) as per diagram.

Step 3



Using bolt (A) attach part (3) to part (1) with Hex key (B) as per diagram.
Note: Fully tighten all bolts.

Step 4



Final Assembly