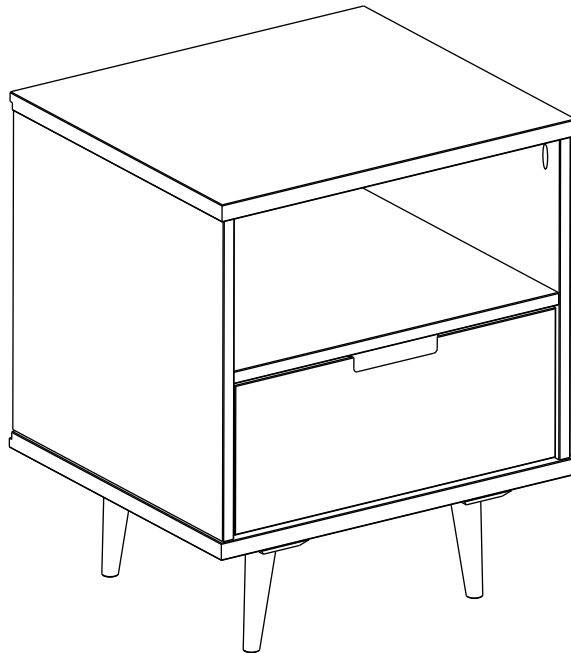


# Item # : IVYL8K

## Assembly Instructions

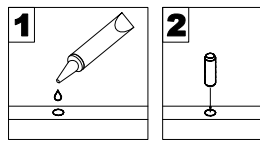


Please visit our website for the most current instructions, assembly tips, report damage, or request parts. [www.walkeredison.com](http://www.walkeredison.com)

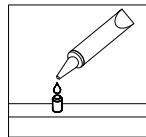
Revised 08/2022 V1

# General Assembly Guidelines

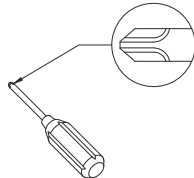
- I. Ensure that all parts and hardware are available before beginning assembly.
- II. Follow each step carefully to ensure the proper assembly of this product.
- III. Two people are recommended for ease in the assembly of this product.
- IV. The three main types of hardware used to assemble this product are wood dowels, screws and bolts.
- V. The provided glue is to secure wood dowels in place . When first inserting dowels , locate the appropriate hole for the dowel , place a small amount of glue in the hole and insert the dowel . Wipe away excess glue immediately.



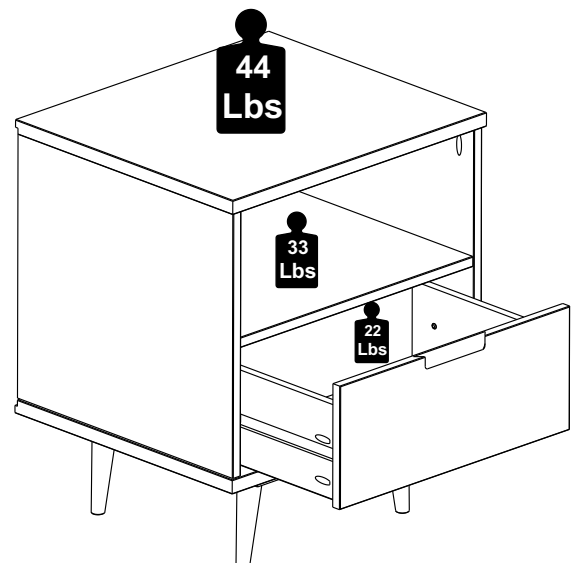
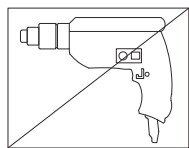
In future assembly steps when dowels are necessary to attach assembly parts together , place a small amount of glue on the end of the dowel before attaching parts together . Wipe away excess glue immediately.



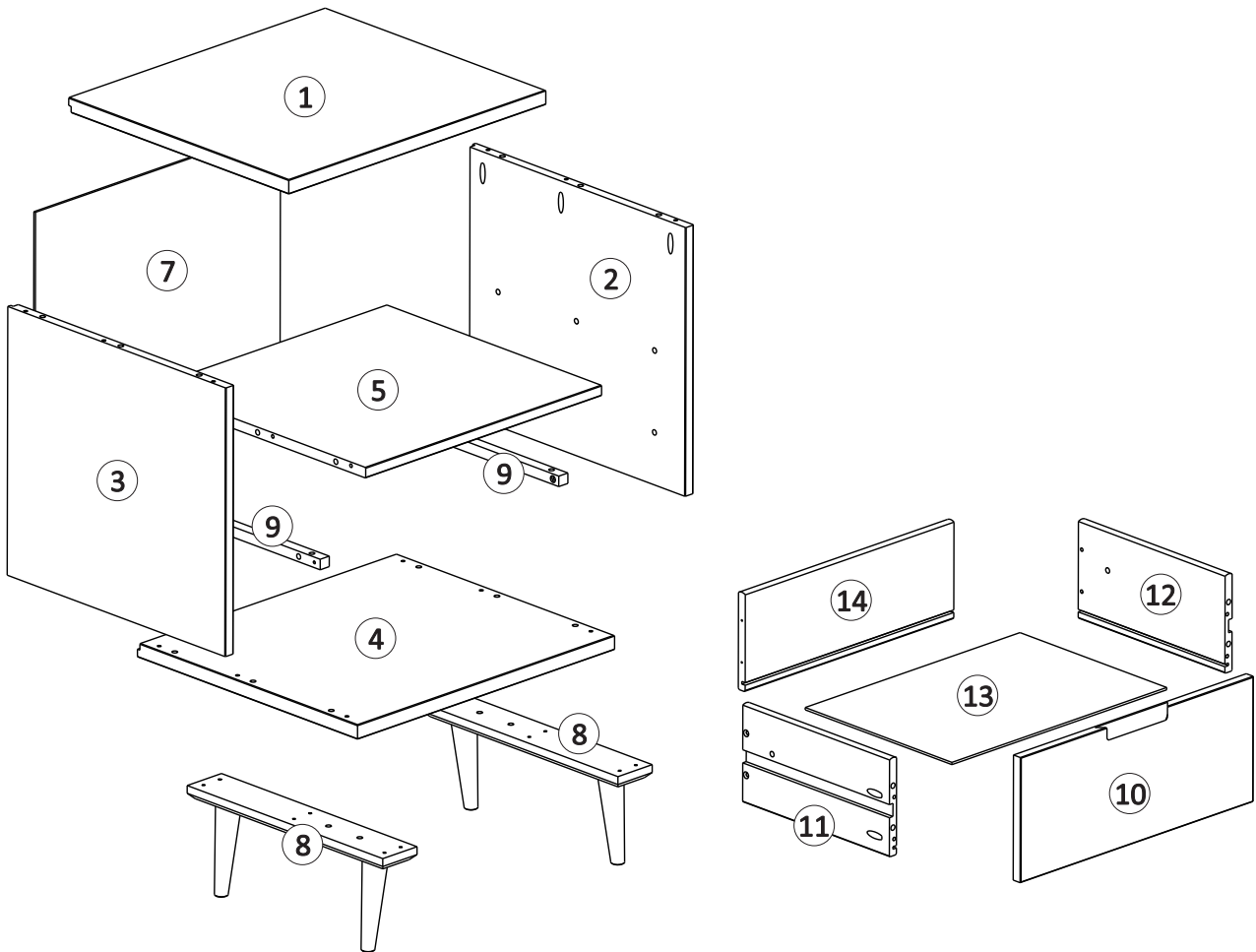
- VI. A Phillips head screwdriver is required for the assembly of this product.



- VII. Power tools should not be used to assemble this product.








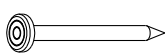
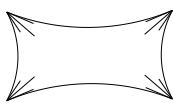
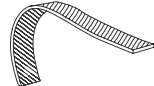


# Parts List

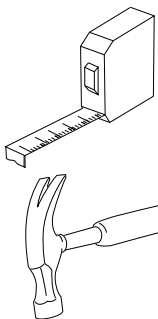


Part#	Description	Qty
1	Top panel	01
2	Right side panel	01
3	Left side panel	01
4	Bottom panel	01
5	Shelf	01
7	Back panel	01
8	Foot	02

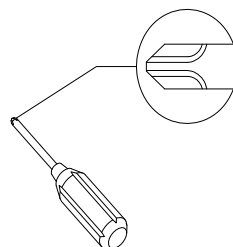
Part#	Description	Qty
9	Drawer runner	02
10	Drawer Front	01
11	Left drawer side	01
12	Right drawer side	01
13	Drawer bottom	01
14	Drawer back	01

# Hardware List

<b>A</b>		<b>Ø8*30mm</b>	<b>Wood dowel</b>	<b>30 pcs</b>
<b>B</b>		<b>Ø8*20mm</b>	<b>Wood dowel</b>	<b>04 pcs</b>
<b>C</b>		<b>Ø4,0*25mm</b>	<b>Screw</b>	<b>04 pcs</b>
<b>D</b>		<b>Ø3,5*30mm</b>	<b>Screw</b>	<b>22 pcs</b>
<b>E</b>		<b>Ø4,0*40mm</b>	<b>Screw</b>	<b>18 pcs</b>
<b>F</b>		<b>Ø10*10</b>	<b>Nail</b>	<b>12 pcs</b>
<b>G</b>			<b>Glue</b>	<b>01 pcs</b>
<b>H</b>			<b>Wall anchor</b>	<b>01 pc</b>
<b>I</b>			<b>Washer</b>	<b>02 pc</b>
<b>J</b>			<b>Ø6mm</b>	<b>01 pc</b>



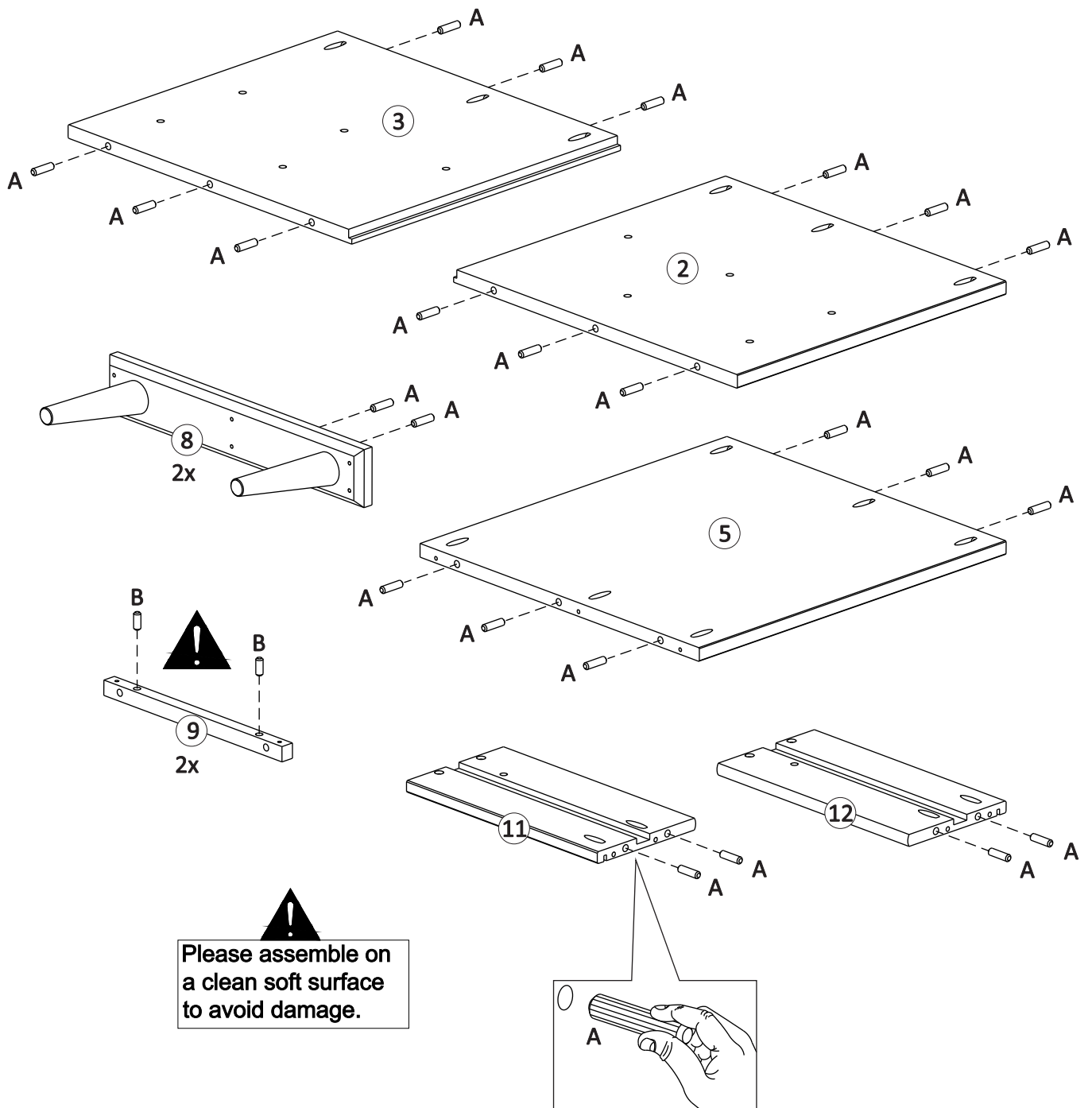
Tape measure and hammer recommended for assembly (not included)





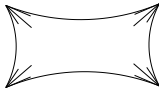
Philips head screwdriver required for assembly (not included)

*The hardware quantities listed above are required for proper assembly.  
Some extra hardware may also have been included.*

# Step 1

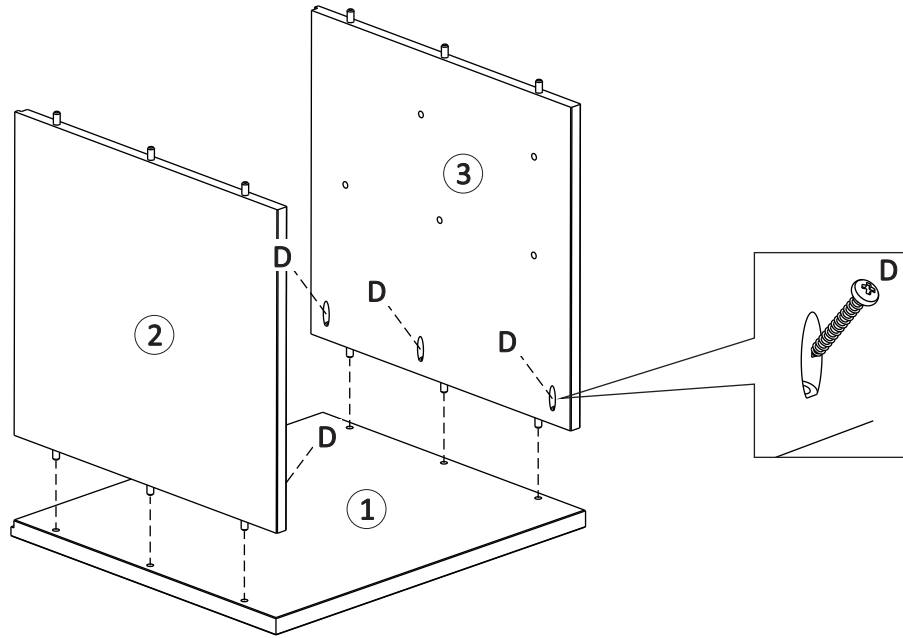


**Please assemble on a clean soft surface to avoid damage.**

A	 $\varnothing 8 \times 30 \text{mm}$	26
B	 $\varnothing 8 \times 20 \text{mm}$	04
G		01

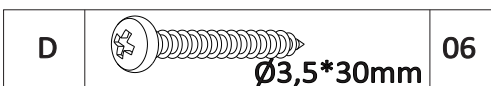
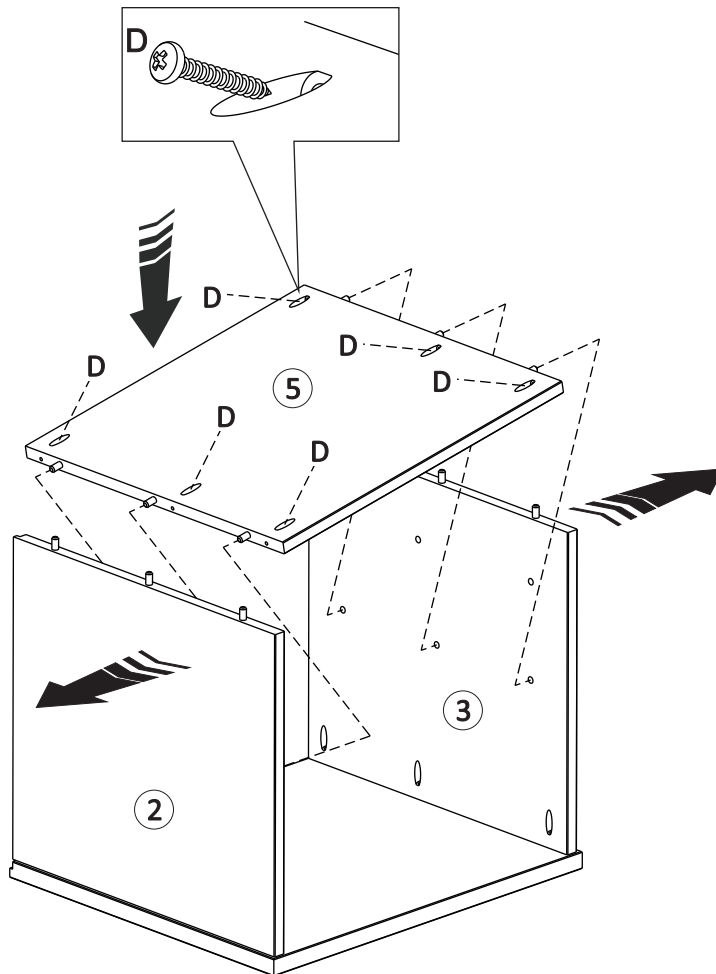
Insert wood dowel (A) and glue (G) into parts (2, 3, 5, 8, 11, 12).  
Insert wood dowel (B) and glue (G) into part (9).

## Step 2



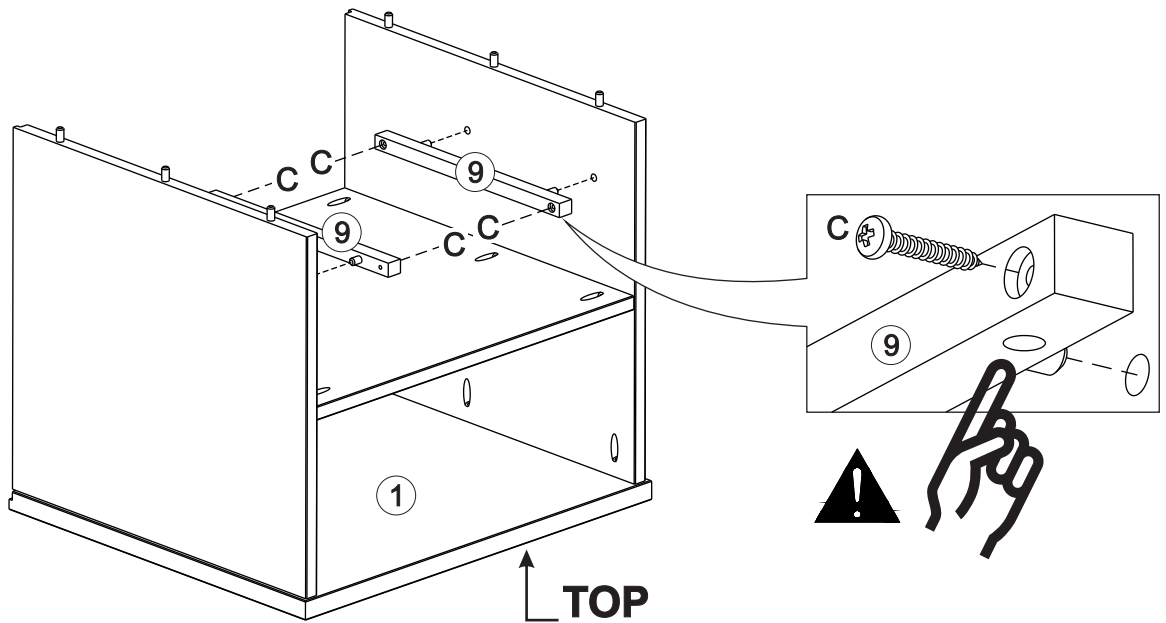
Fix the parts (2, 3) to the part (1) using the screw (D)

## Step 3




Attach part (5) to parts (2,3) using screw (D)

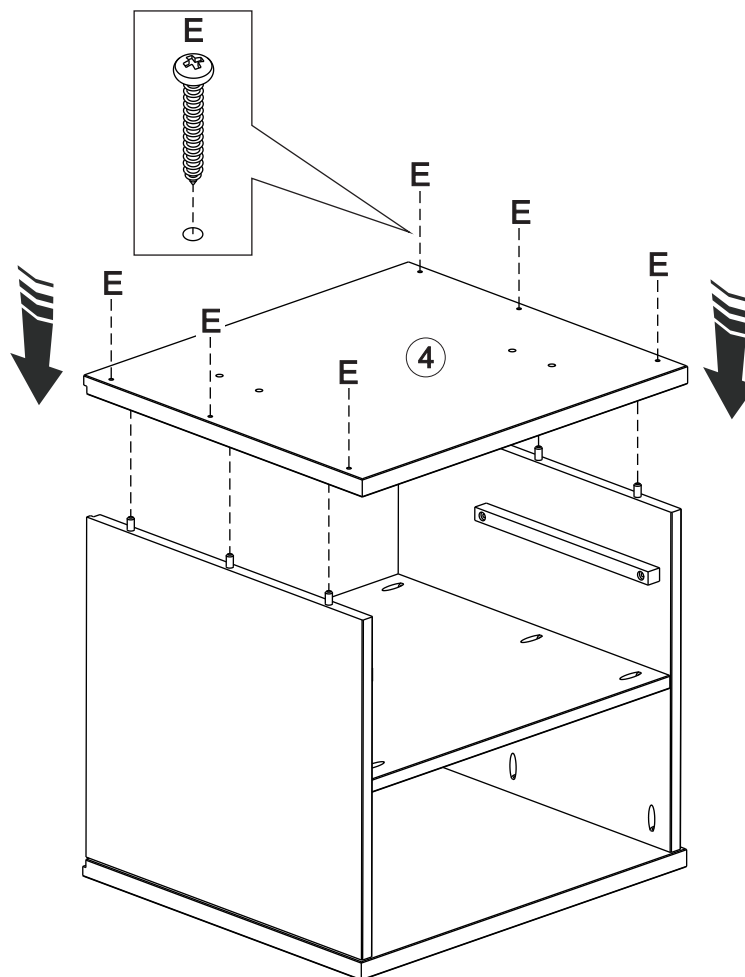
# Step 4




Use the screw (C) attach the parts (9) to the parts (2,3)  
NOTE: The extra holes in the part (9) must face the top of the part (2,3)

C		Ø4,0*25mm	12
---	---	-----------	----

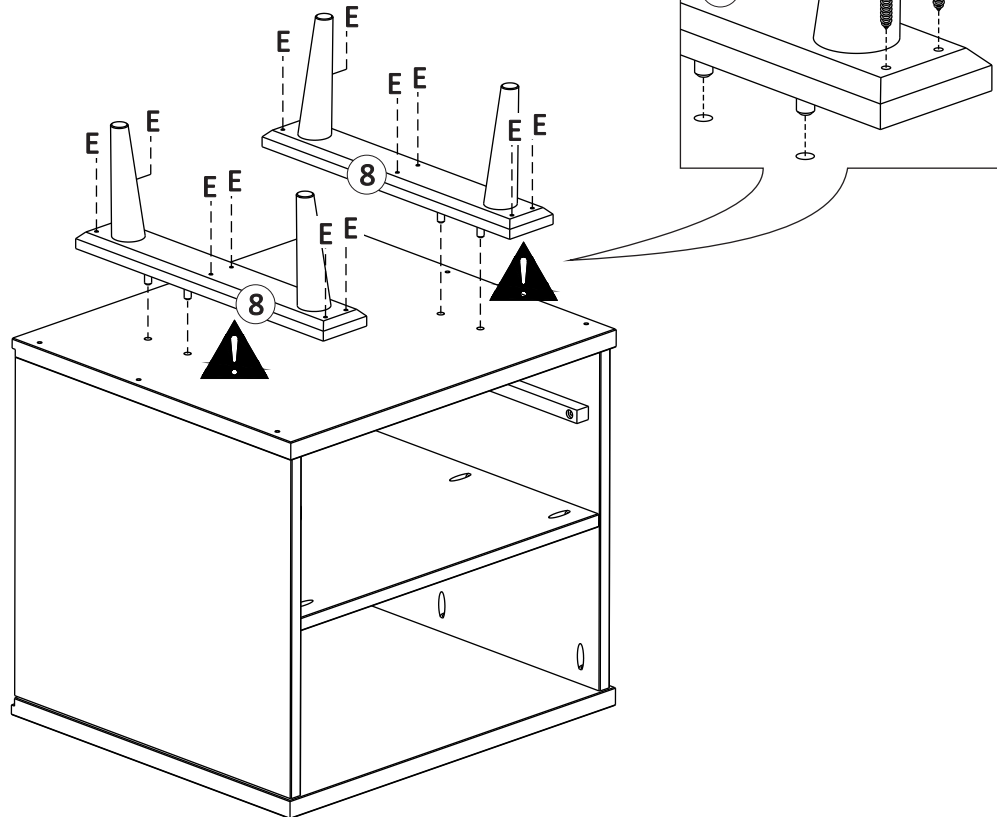
# Step 5



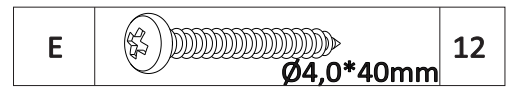
Attach part (4) to body with screws (E)

E		Ø4,0*40mm	06
---	---	-----------	----

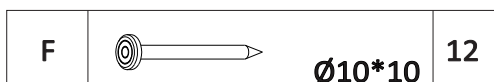
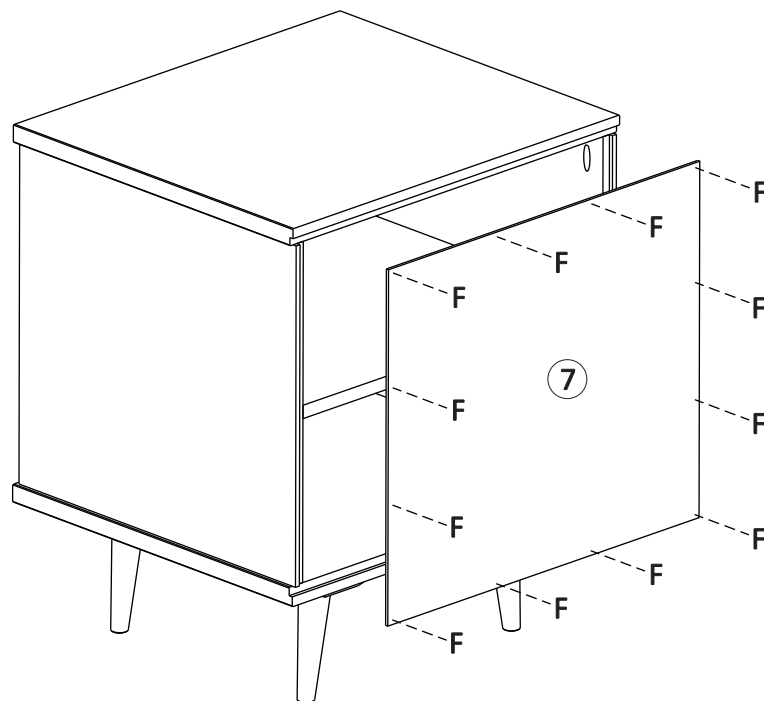
# Step 6



Attach part (8) to body with screws (E)



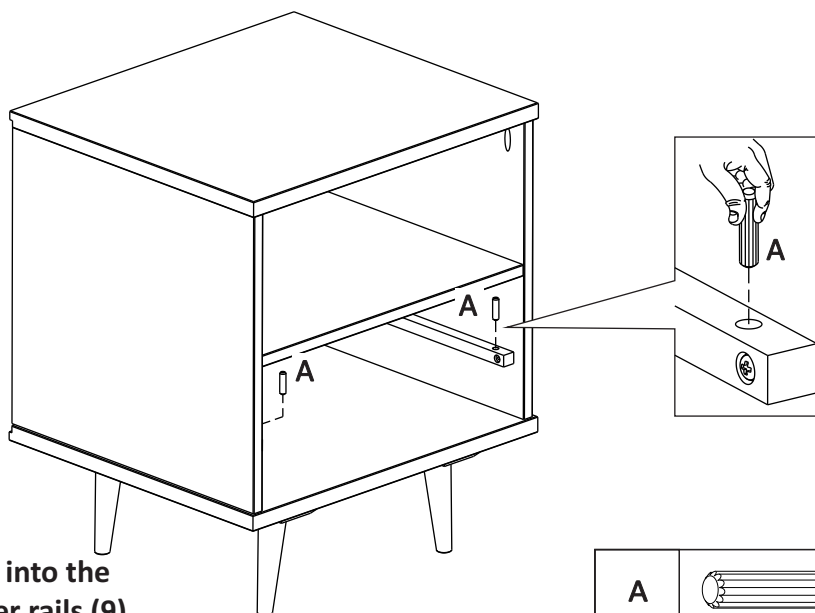
# Step 7



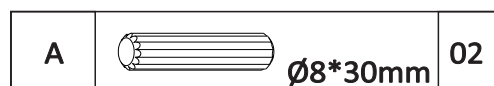
Fix the back panel (7) with nails (F)



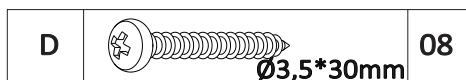
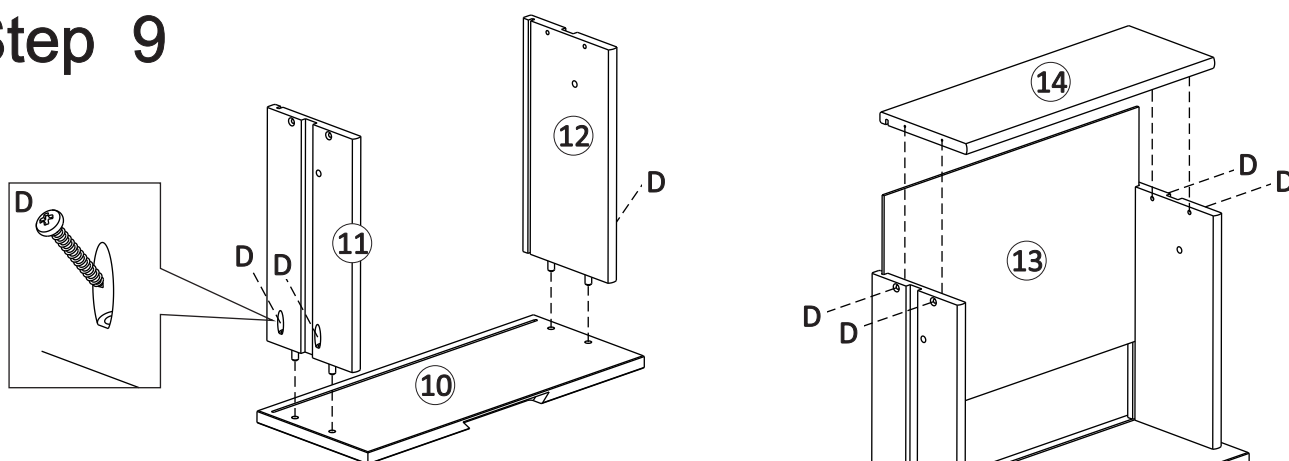
## Step 8



Insert wood dowel (A) into the front hole in the drawer rails (9)

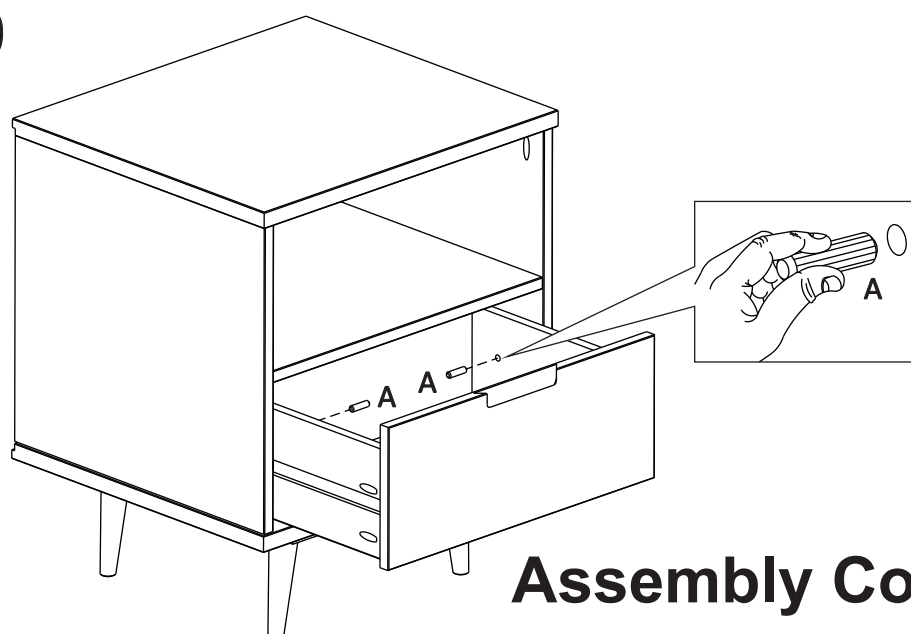


## Step 9



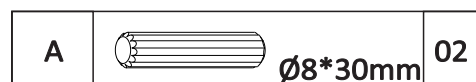
Attach parts (11,12) to part (10), insert panel (13) into groves and secure part (14) with screws(D).

## Step 10



# Assembly Complete!

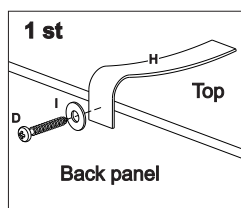
Insert the wood dowel (A) into the inside the drawer while drawers is inside the unit. Make sure the pin is flush with the panel.



# WARNING

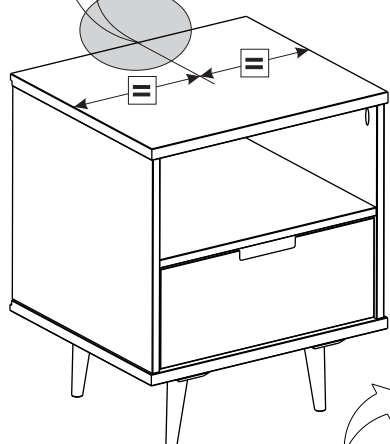
**Serious or fatal injuries can occur from furniture tipping over. To prevent the furniture from tipping over we recommend that it is permanently fixed to the wall.**

**Wall anchor and hardware are included with this product. Please make sure hardware is suitable for your walls before installing, as different wall materials may require different types of anchors.**



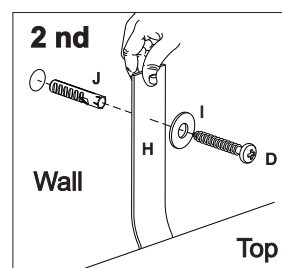
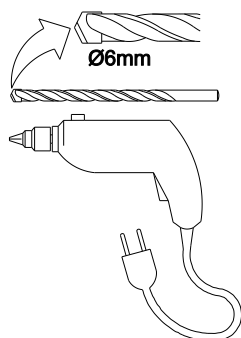
**1st**

Attach part (H) with Screw (D) and Washer (I), in the frame of superior panel unit.

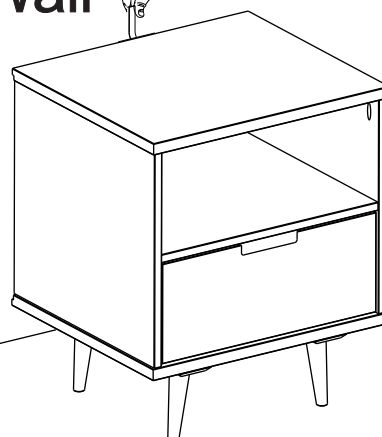


**2nd**

With drilling machine make one hole in the wall, Insert part (J) in the hole. Secure part (H) with Screw (D) and Washer (I), in the wall.



**Wall**



D	Ø3,5*30mm	02
H		01
I		02
J		01