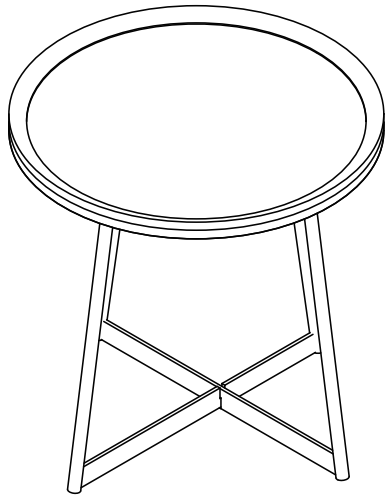
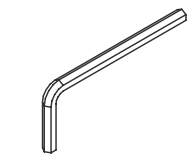
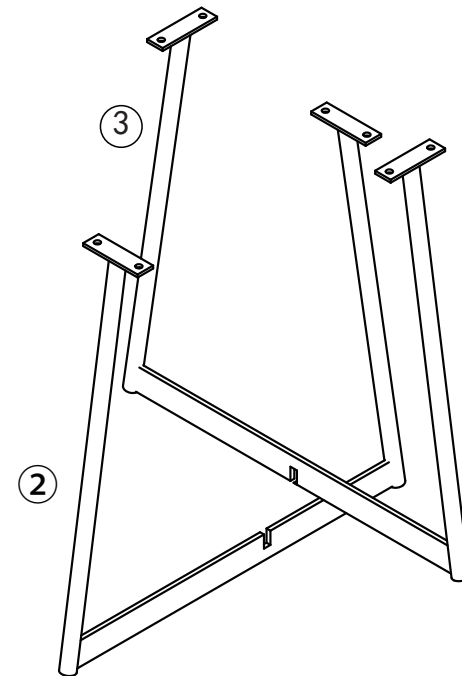
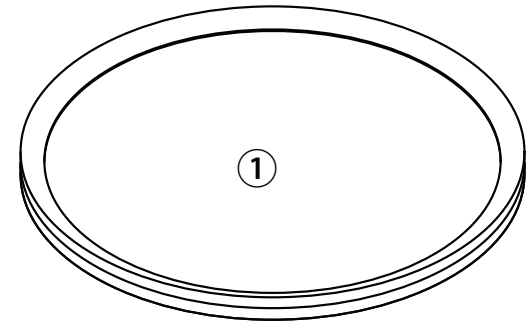


Assembly Instructions

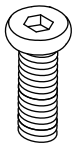
NIKLAUS-22 Round Side Table



PLEASE NOTE: Check that you have received all components and hardware before assembling. If you are missing any parts, contact your retailer.



A (1 pcs)
M4



B (8 pcs)
Ø6x15mm



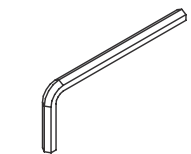
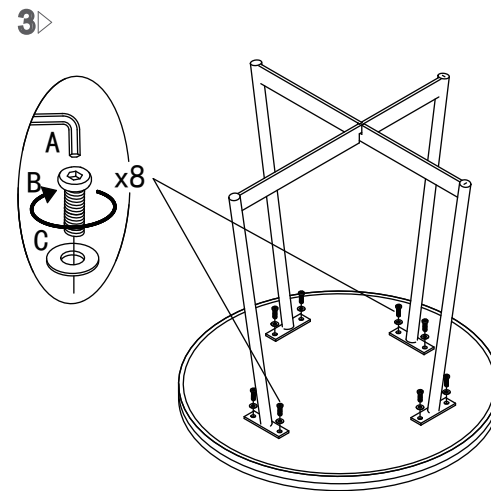
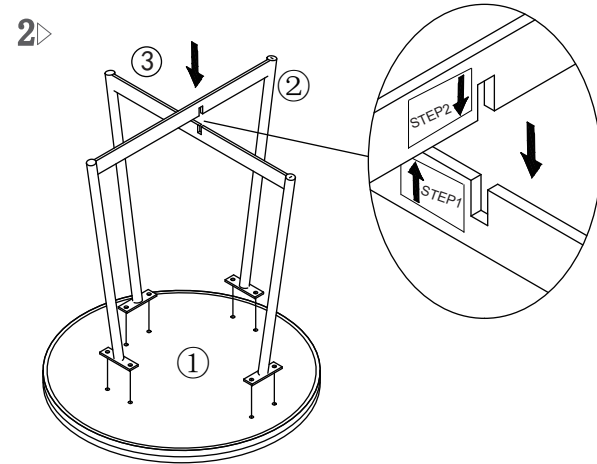
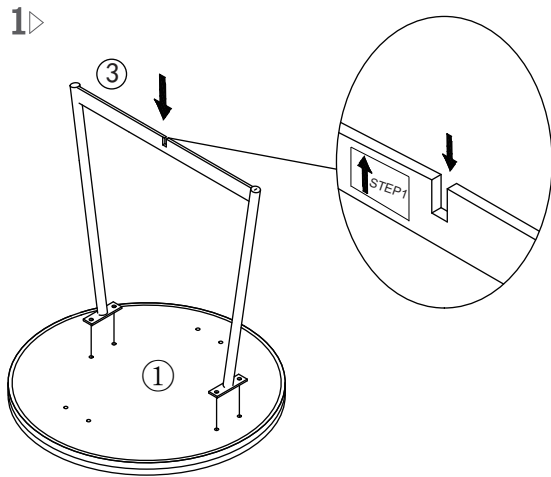
C (8 pcs)
Ø6x18mm

During assembly, hand tighten screws only. When the screws are in place, tighten completely.

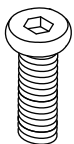
Assembly Instructions

NIKLAUS-22 Round Side Table

PLEASE NOTE: Check that you have received all components and hardware before assembling. If you are missing any parts, contact your retailer.



A (1 pcs)
M4



B (8 pcs)
∅6x15mm



C (8 pcs)
∅6x18mm

During assembly, hand tighten screws only. When the screws are in place, tighten completely.