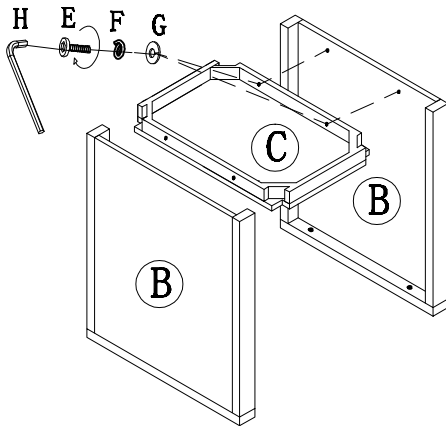


ASSEMBLY INSTRUCTIONS

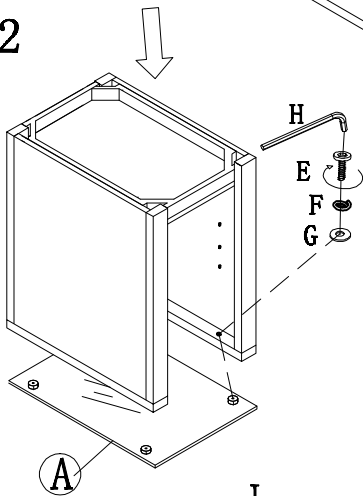
ITEM:T316-29 GLASS TOP CHAIRSIDE TABLE

Thank you for purchasing this high quality product. Be sure to Check all packing materials carefully for small parts that may have come loose inside the carton during shipment

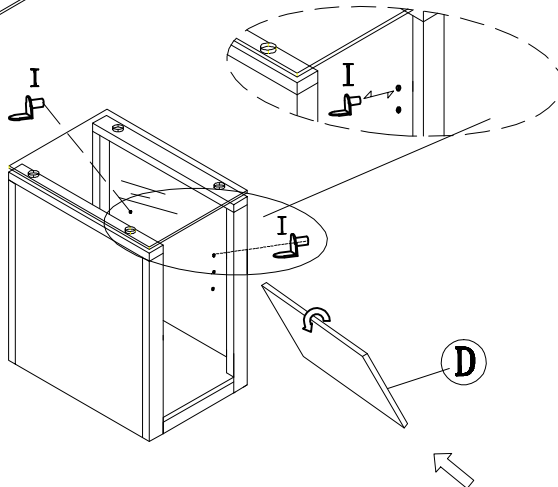
Step 1



Step 2



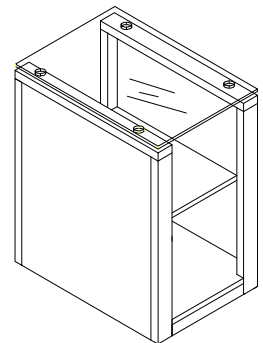
Step 3



Parts List

NO	SKETCH	DESCRIDTION	QTY
A		Glass Top	1 pc
B		Side Panels	2 pcs
C		Bottom Shelf	1 pc
D		Middle Shelf	1 pc
Hardware List			
E		Bolt $\phi\frac{1}{4} * 1\frac{1}{8}$ "	8 pcs
F		Lock washer $\phi\frac{1}{4}$ "	8 pcs
G		Flat washer $\phi\frac{1}{4}$ "	8 pcs
H		Allen Wrench	1 pc
I			4 pcs

Do not tighten any bolt until all the bolts have been loosely installed.



Cleaning Instruction: Clean the table surface with a furniture polish and a soft cloth.

Made In China