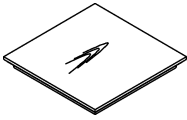
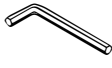

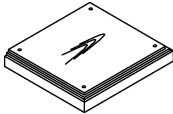


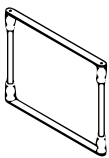
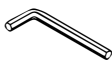





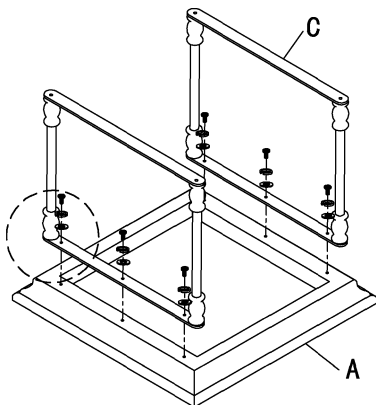
Assembly Instructions

Item No.: 60271/61622

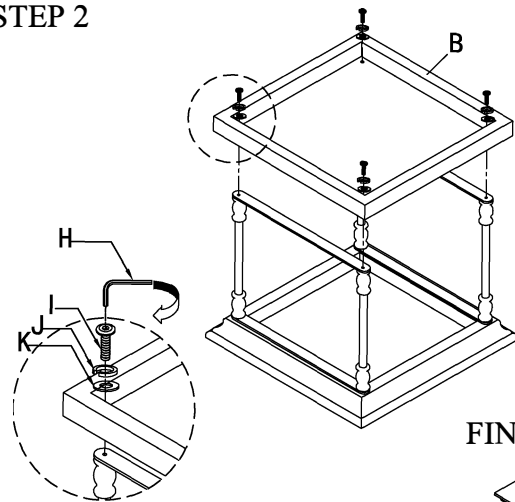
Thank you for purchasing this quality product. Be sure to check all packing material carefully for small parts that may have come loose inside the carton during shipment.(Note: Loosely thread all screws bolts first. Once the item is assembled then completely tighten.)

PARTS LIST:				HARDWARE LIST:			
NO.	DESCRIPTION	PART PHOTO	QTY	NO.	DESCRIPTION	PART PHOTO	QTY
A	TOP BOARD		1	D	ALLEN KEY ($\text{Ø}\frac{4}{25}$ "		1
				E	SCREW ($\text{M}\frac{6}{25}$ "* $\frac{4}{5}$ "		6
B	BOTTOM BOARD		1	F	WASHER ($\text{Ø}\frac{16}{25}$ "- $\text{Ø}\frac{6}{25}$ "* $\frac{1}{25}$ "		6
				G	SPRING SHIM ($\text{M}\frac{6}{25}$ "		6
C	SIDE FRAME		2	H	ALLEN KEY ($\text{Ø}\frac{1}{5}$ "		1
				I	SCREW ($\text{M}\frac{8}{25}$ "* $1\frac{1}{5}$ "		4
				J	SPRING SHIM ($\text{M}\frac{8}{25}$ "		4
				K	WASHER ($\text{Ø}\frac{18}{25}$ "- $\text{Ø}\frac{8}{25}$ "* $\frac{3}{50}$ "		4

STEP 1



STEP 2



FINISH

