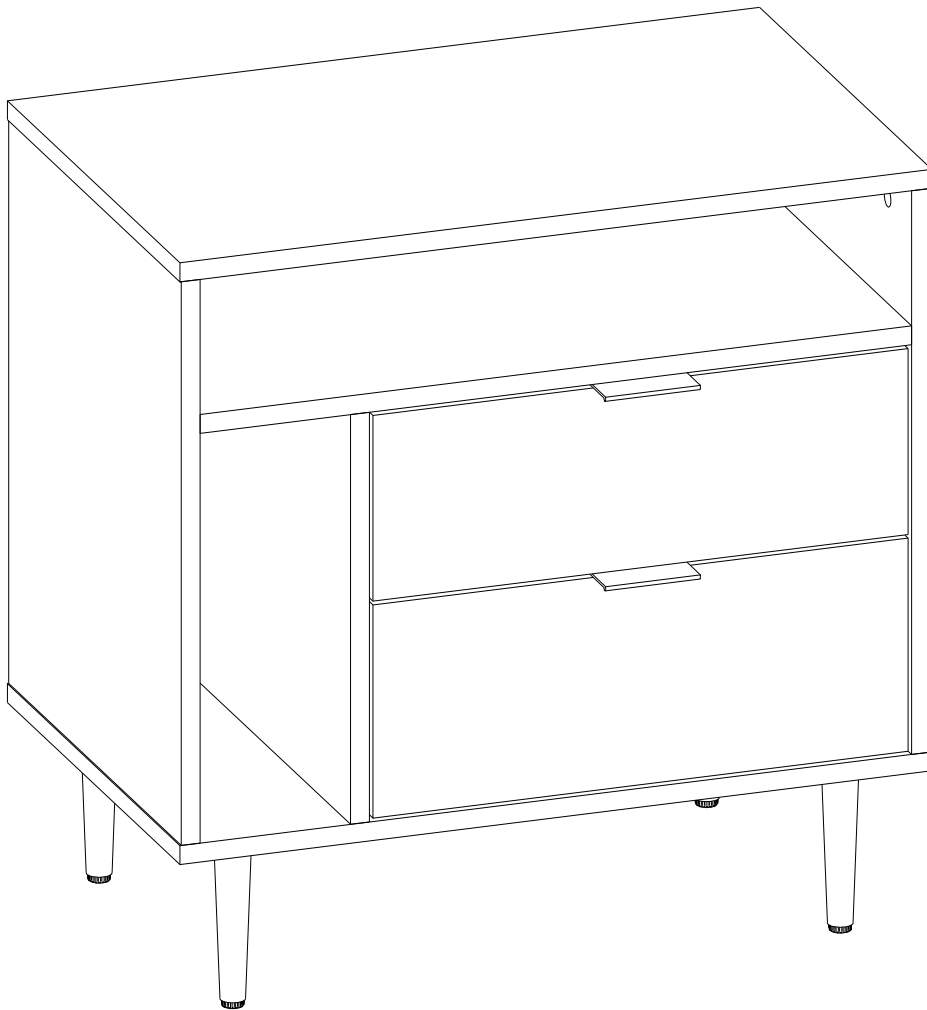


Item # : BR25LINNS

Assembly Instructions



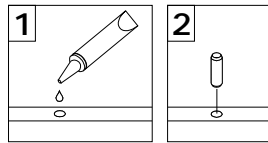
Walker Edison®

Please visit our website for the most current instructions, assembly tips, report damage, or request parts. www.walkeredison.com

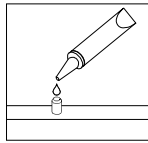
Revised 24/05/2019 (E)

General Assembly Guidelines

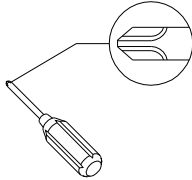
- I. Ensure that all parts and hardware are available before beginning assembly.
- II. Follow each step carefully to ensure the proper assembly of this product.
- III. Two people are recommended for ease in the assembly of this product.
- IV. The three main types of hardware used to assemble this product are : wood dowels , screws and bolts.
- V. The provided glue is to secure wood dowels in place . When first inserting dowels , locate the appropriate hole for the dowel , place a small amount of glue in the hole and insert the dowel . Wipe away excess glue immediately.



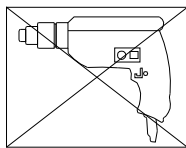
In future assembly steps when dowels are necessary to attach assembly parts together , place a small amount of glue on the end of the dowel before attaching parts together . Wipe away excess glue immediately.



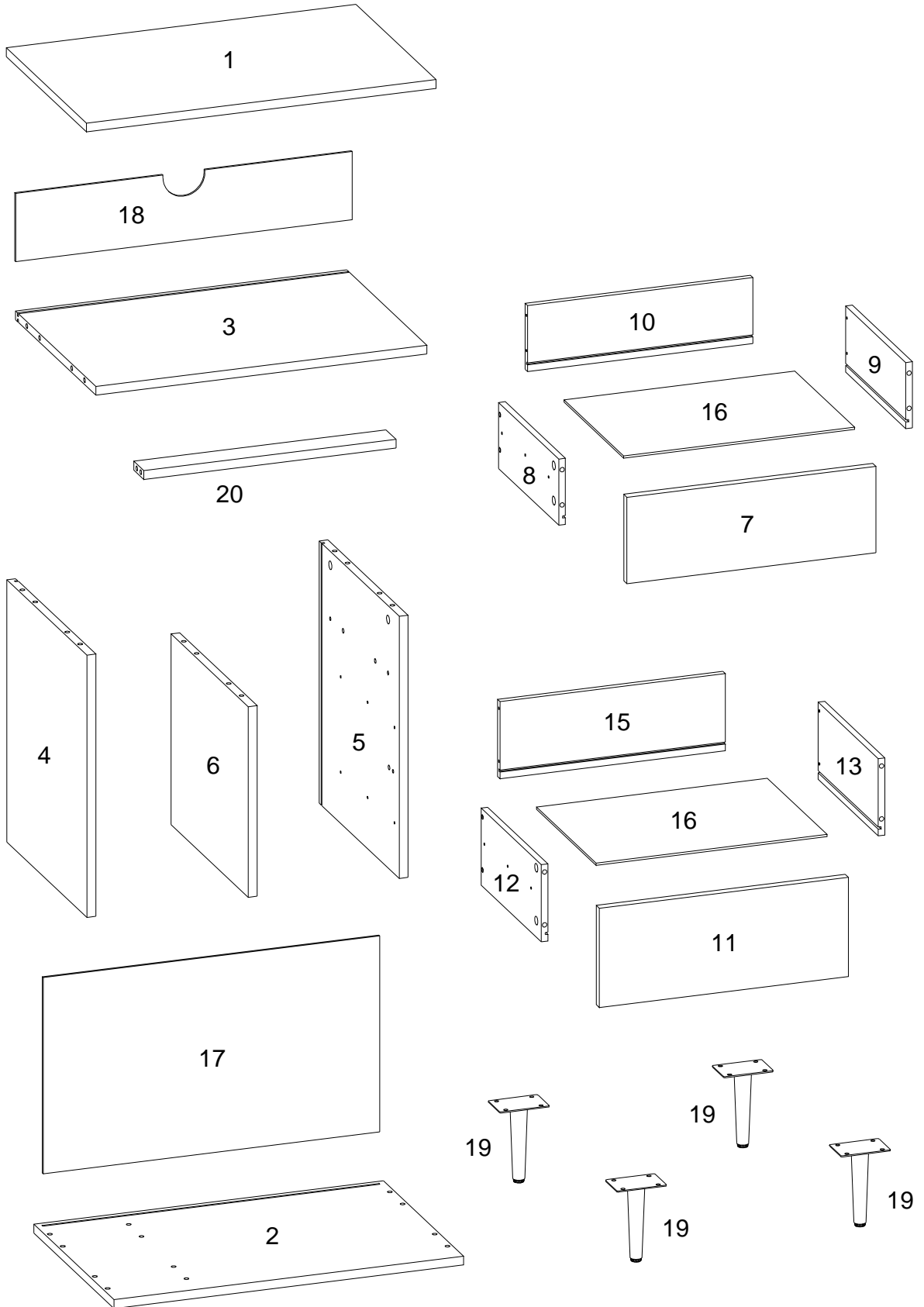
- VI. A Phillips head screwdriver is required for the assembly of this product .





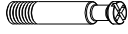







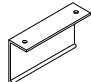
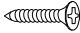
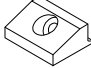

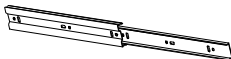
- VI. Power tools should not be used to assemble this product .



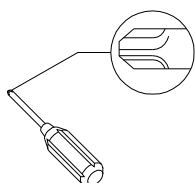
Parts List



Hardware List

A		Ø8x30mm	Wooden dowel	18 pcs
B		Ø15x11mm	Cam lock	12 pcs
C		Ø6x35mm	Cam bolt	20 pcs
D		Ø30mm	Sticker	20 pcs
E		Ø15x 9 mm	Cam lock	8 pcs
F		Ø6x50mm	Bolt	6 pcs
G		M 4	Hex Key	1 pcs
H		Ø6x12mm	Bolt	16 pcs
J		Ø4x32mm	Screw	8 pcs
K		Ø3x12mm	Screw	28 pcs
L			Knob	2 pcs
M		Ø3x17mm	Screw	8 pcs
N			Plastic wedge	8 pcs
P			Glue tube	1 pcs
Q			Drawer slider	2 sets

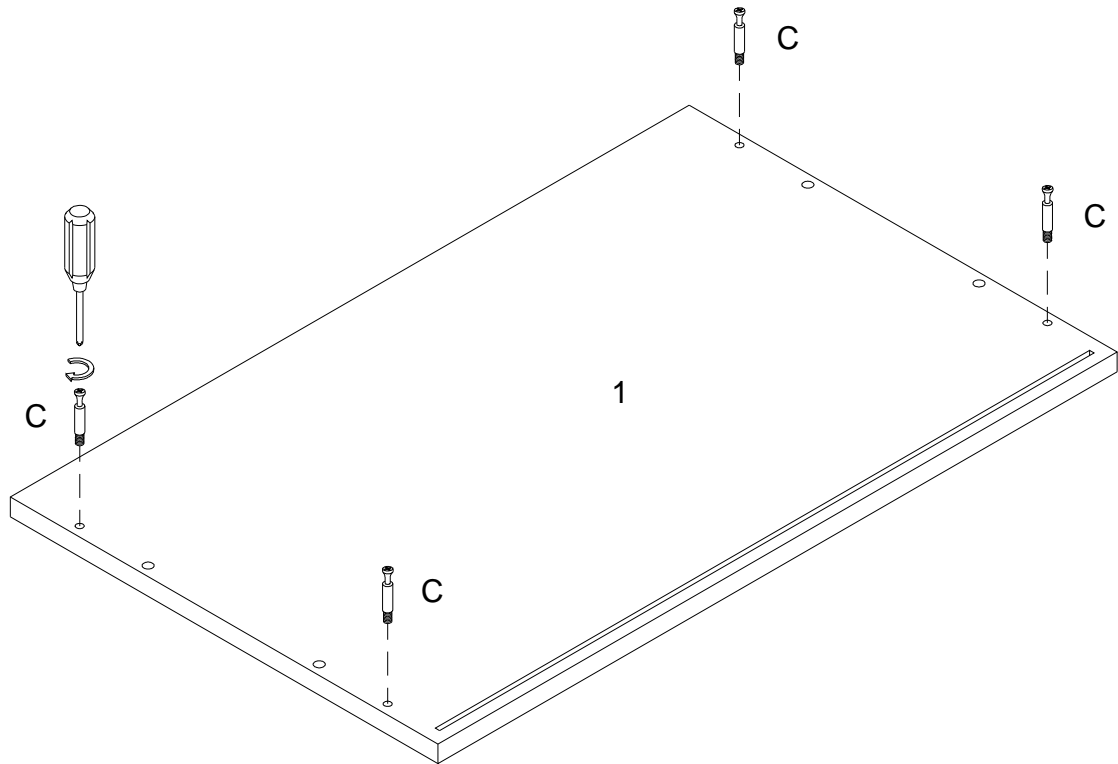
* Note: This piece comes preassembled for shipping purposes and must be disassembled to complete the desk assembly.



Philips head screwdriver required for assembly
(not included)

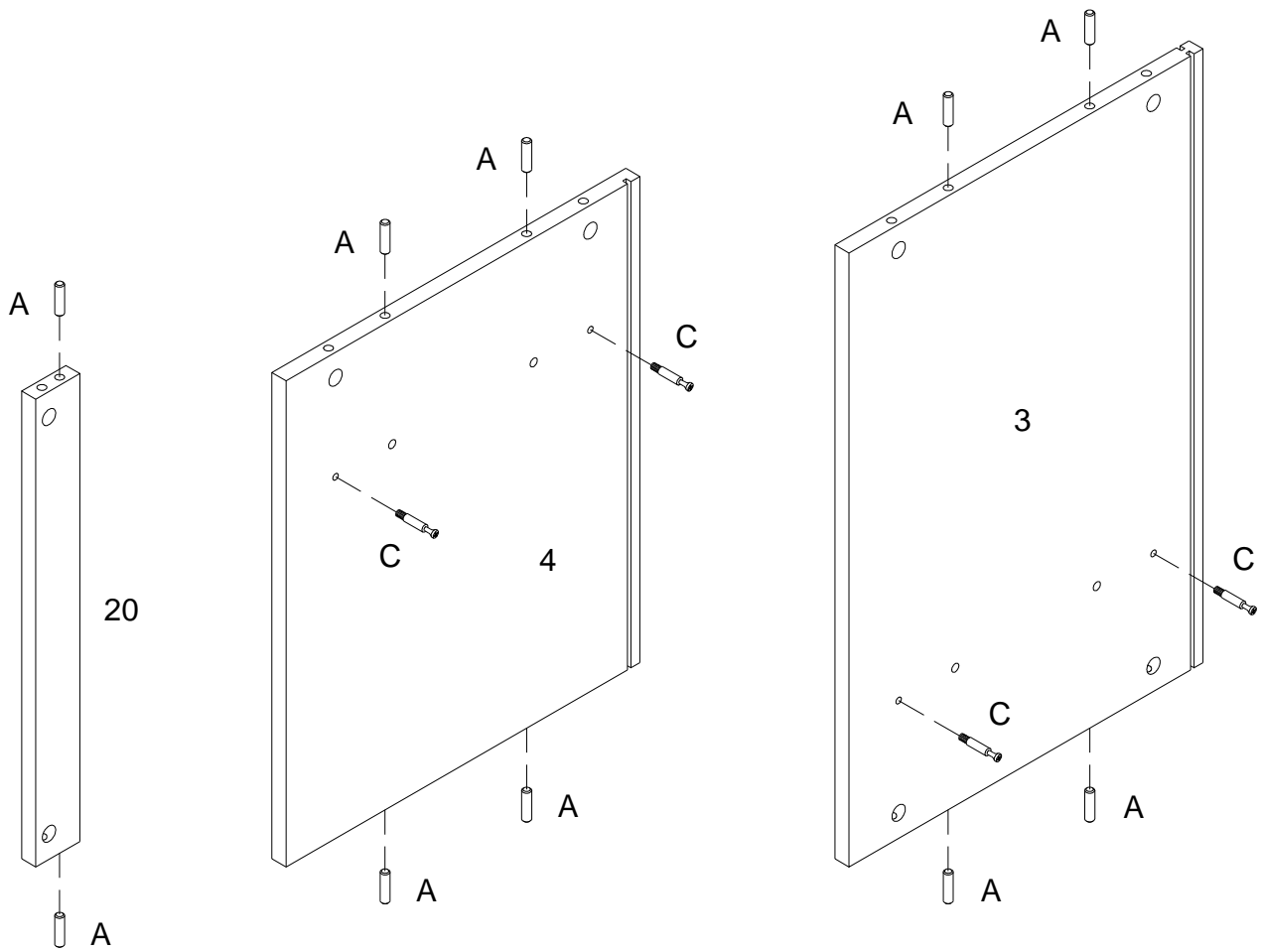
*The hardware quantities listed above are required for proper assembly.
Some extra hardware may also have been included.*

Step 1



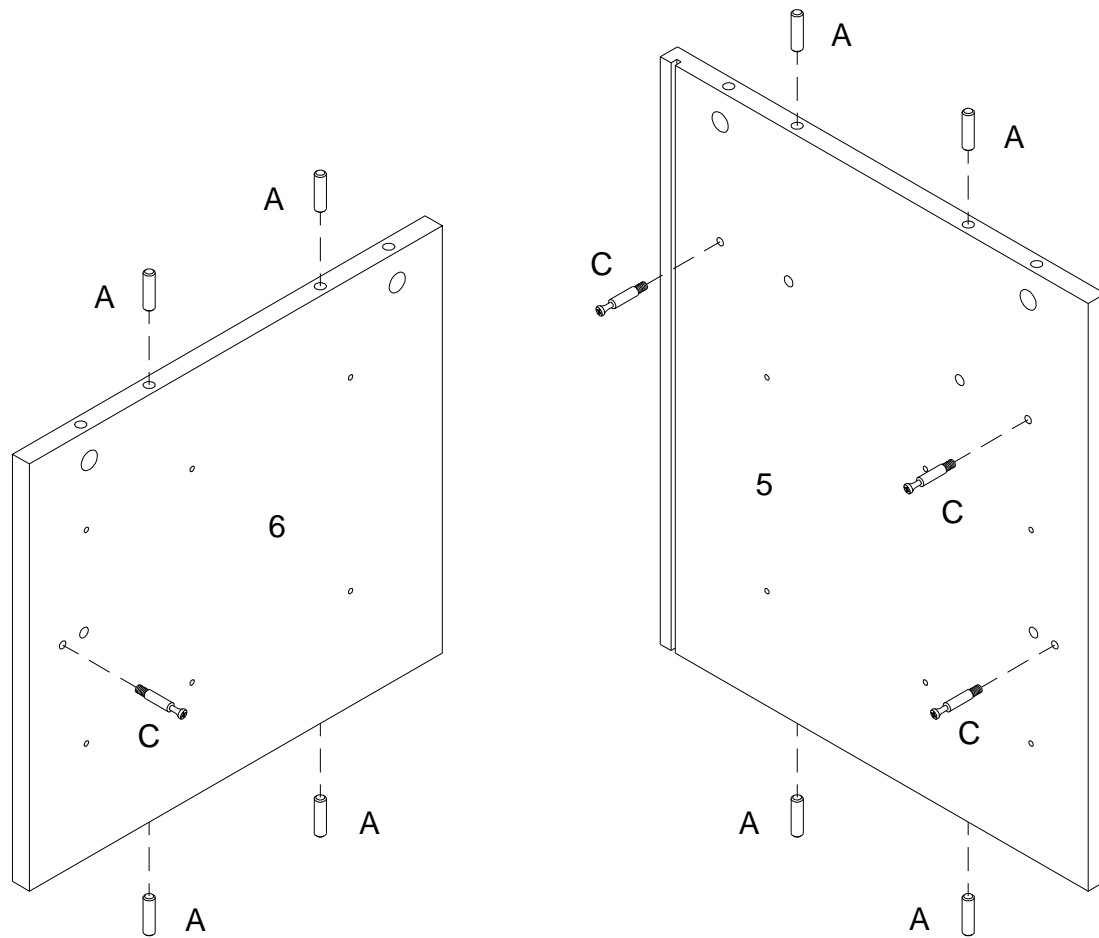
Using cam bolt (C) secure part (1) with Philips head screwdriver as per diagram.

Step 2



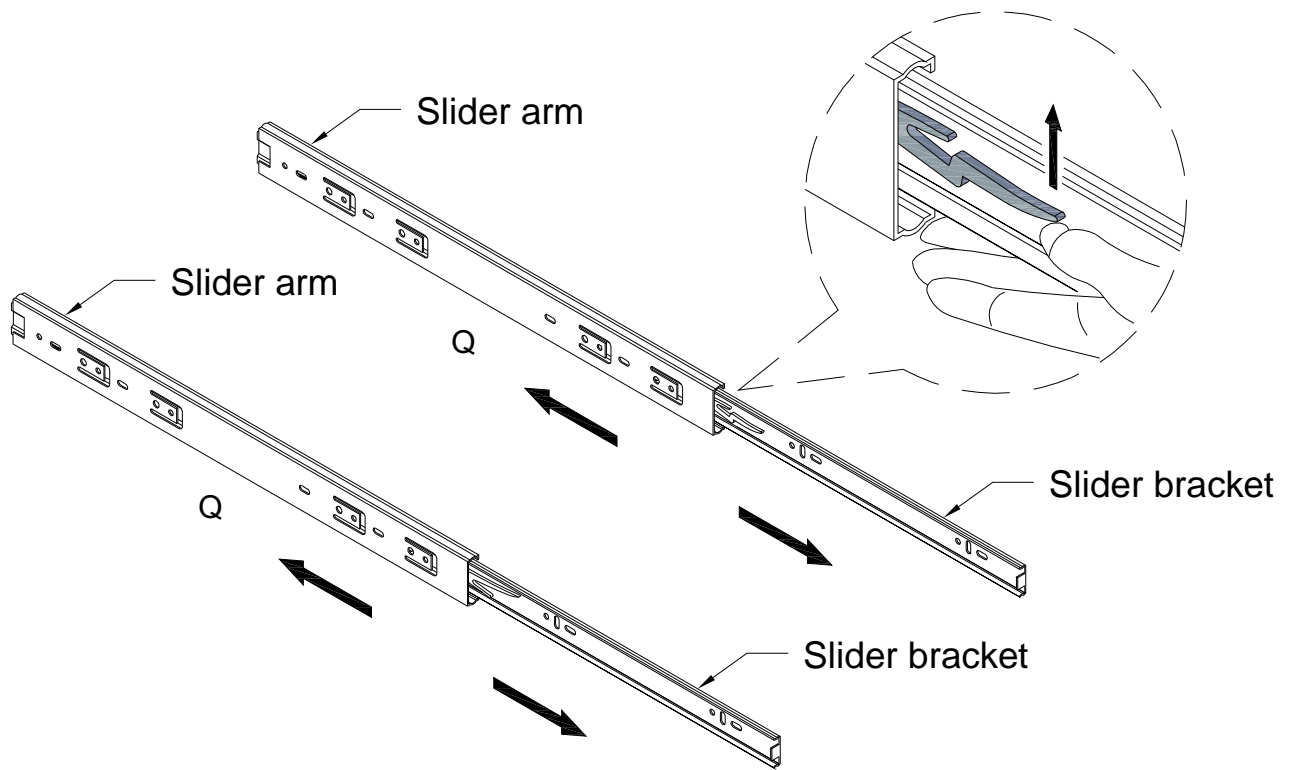
Insert wooden dowel (A) into parts (3,4,20), using cam bolt (C) secure parts (3,4) with Philips head screwdriver as per diagram.

Step 3



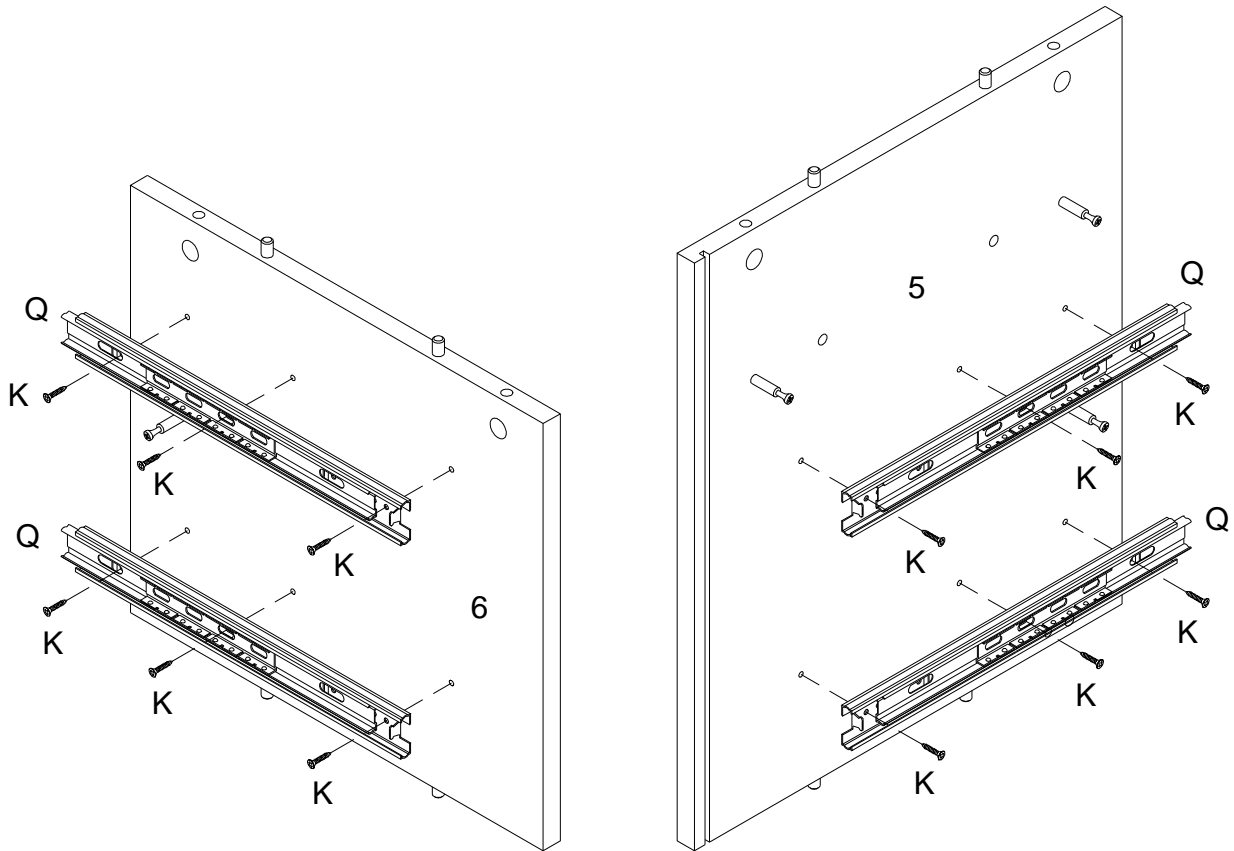
Insert wooden dowel (A) into parts (5,6), using cam bolt (C) secure parts (5,6) with Philips head screwdriver as per diagram.

Step 4



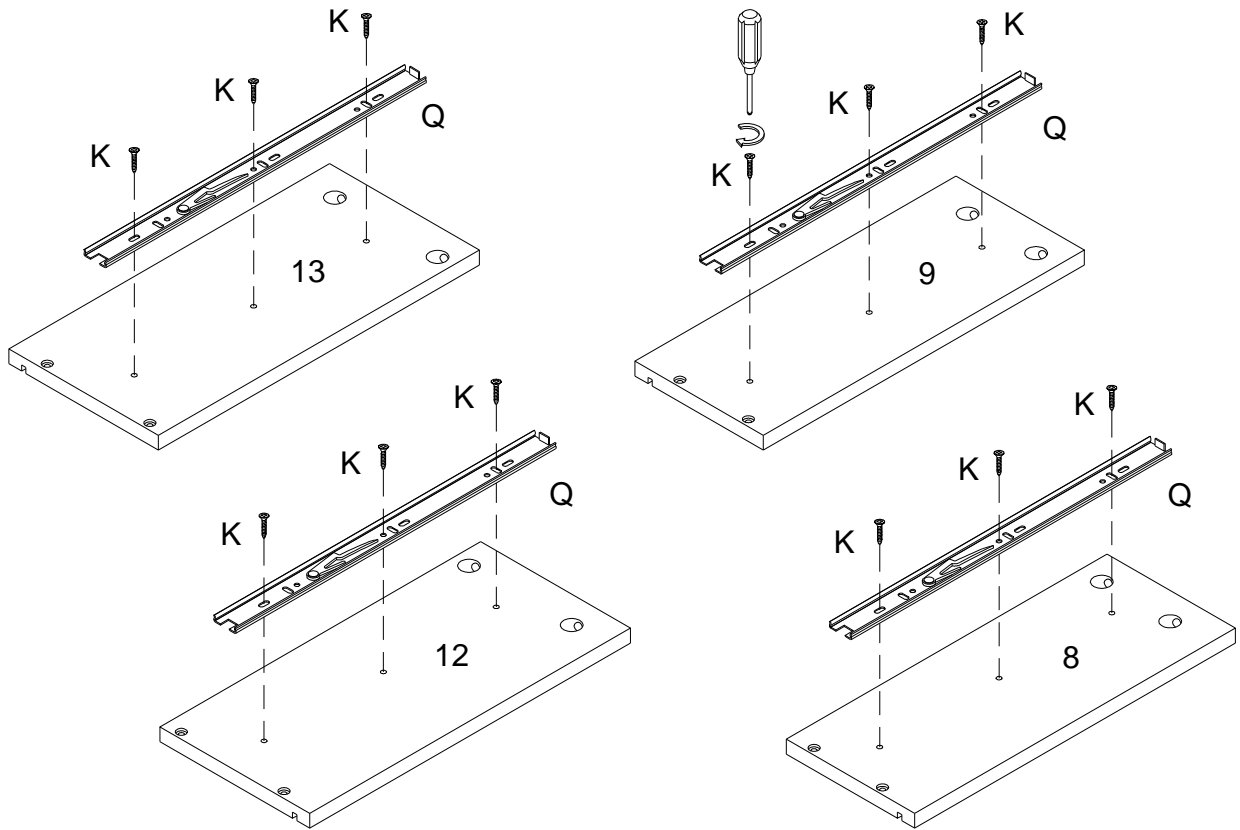
Put slider bracket into slider arm as per diagram.

Step 5



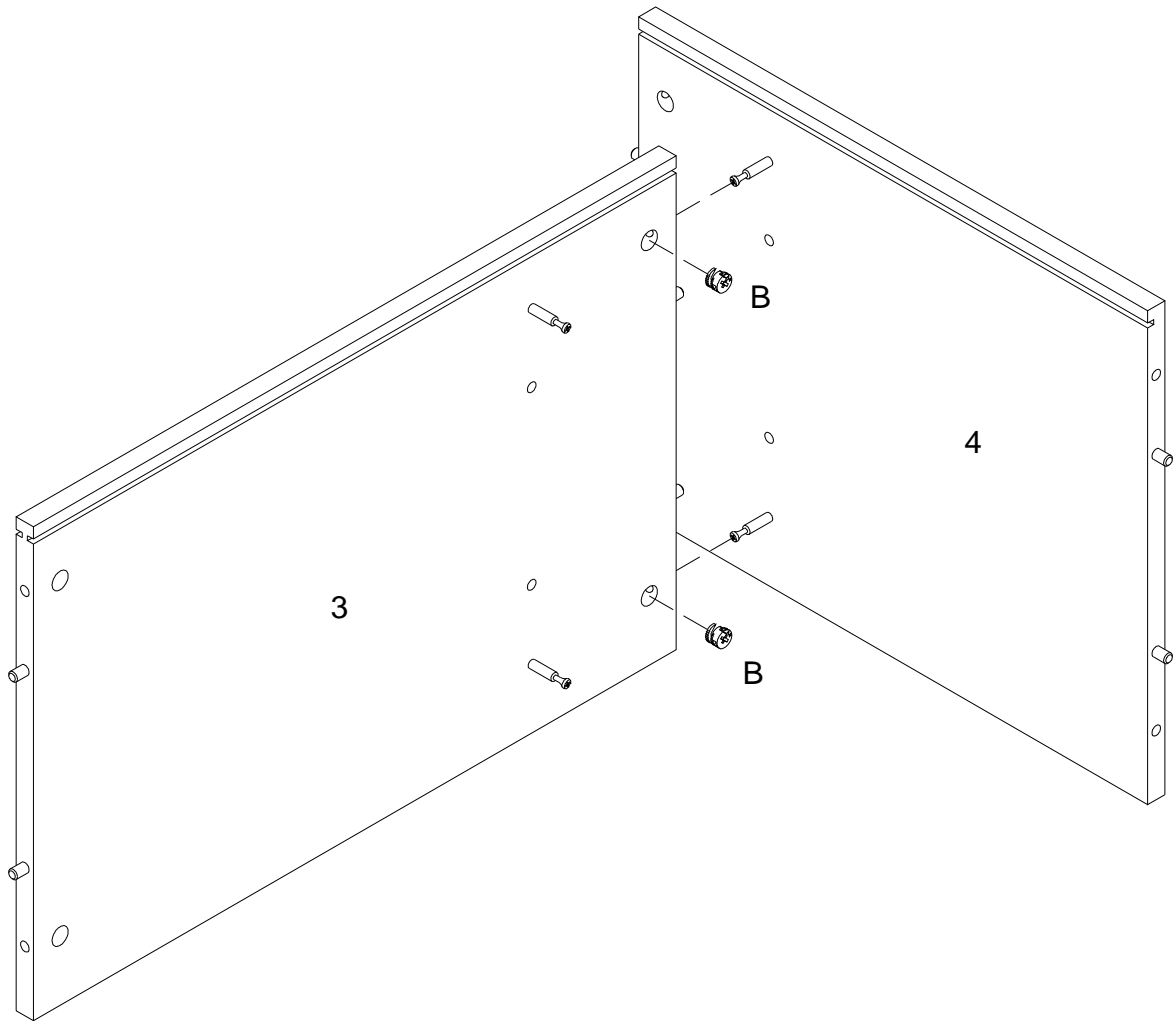
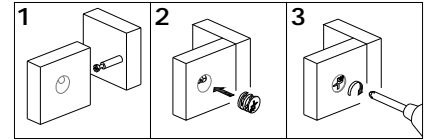
Using screw (K) secure drawer slider (Q) to parts (5,6) with Philips head screwdriver as per diagram.

Step 6



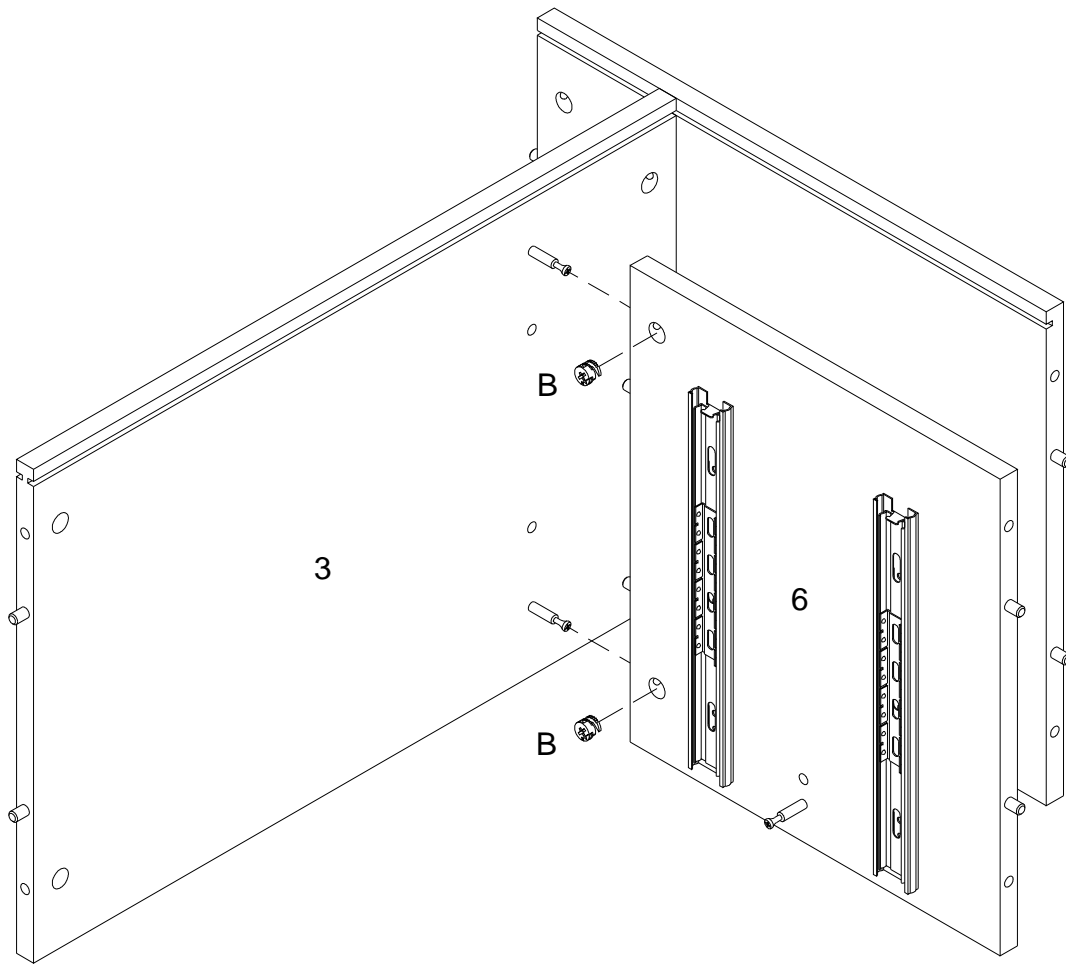
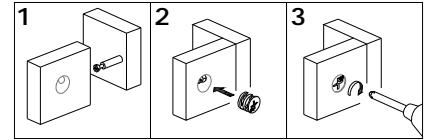
Using screw (K) secure drawer slider (Q) to parts (8,9,12,13) with Philips head screwdriver as per diagram.

Step 7



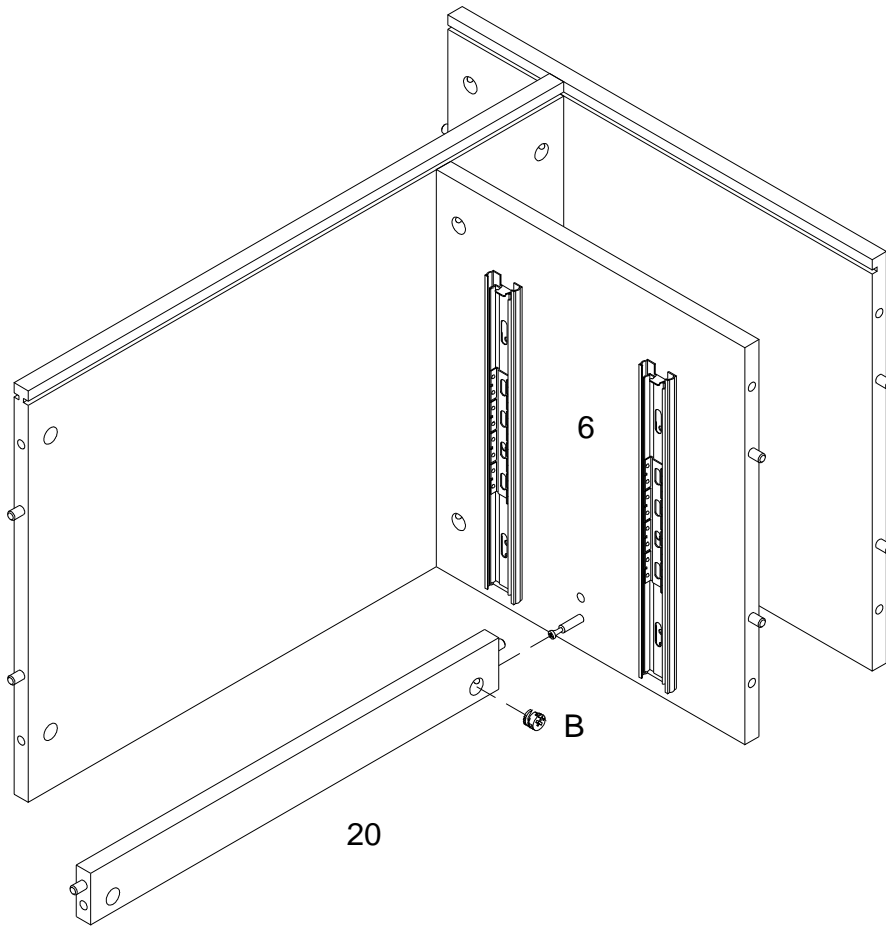
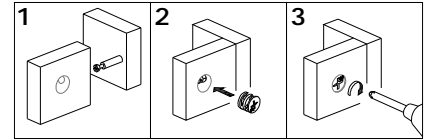
Using cam lock (B) secure part (3) into part (4) with Philips head screwdriver as per diagram.

Step 8



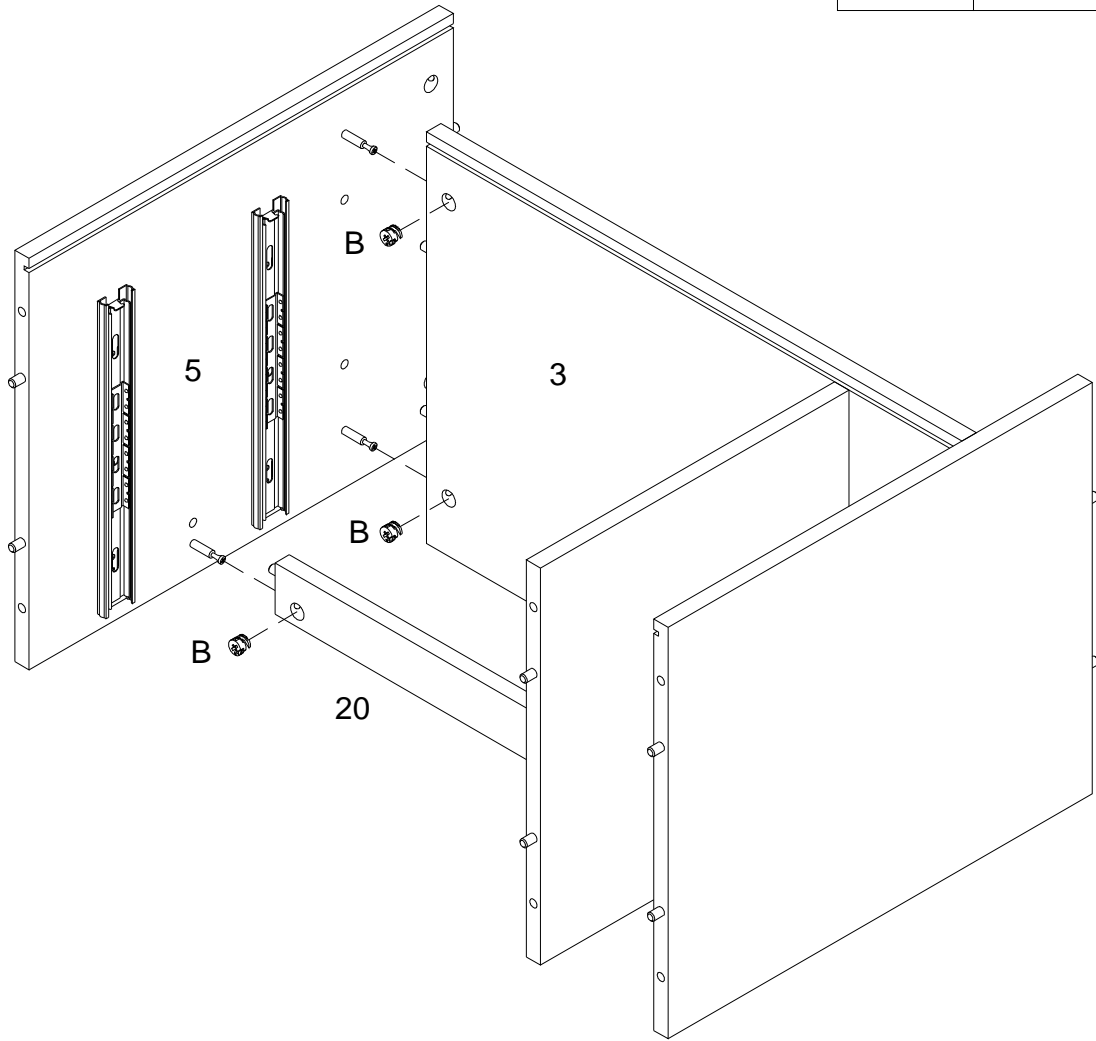
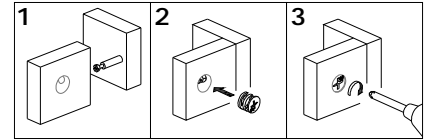
Using cam lock (B) secure part (3) into part (6) with Philips head screwdriver as per diagram.

Step 9



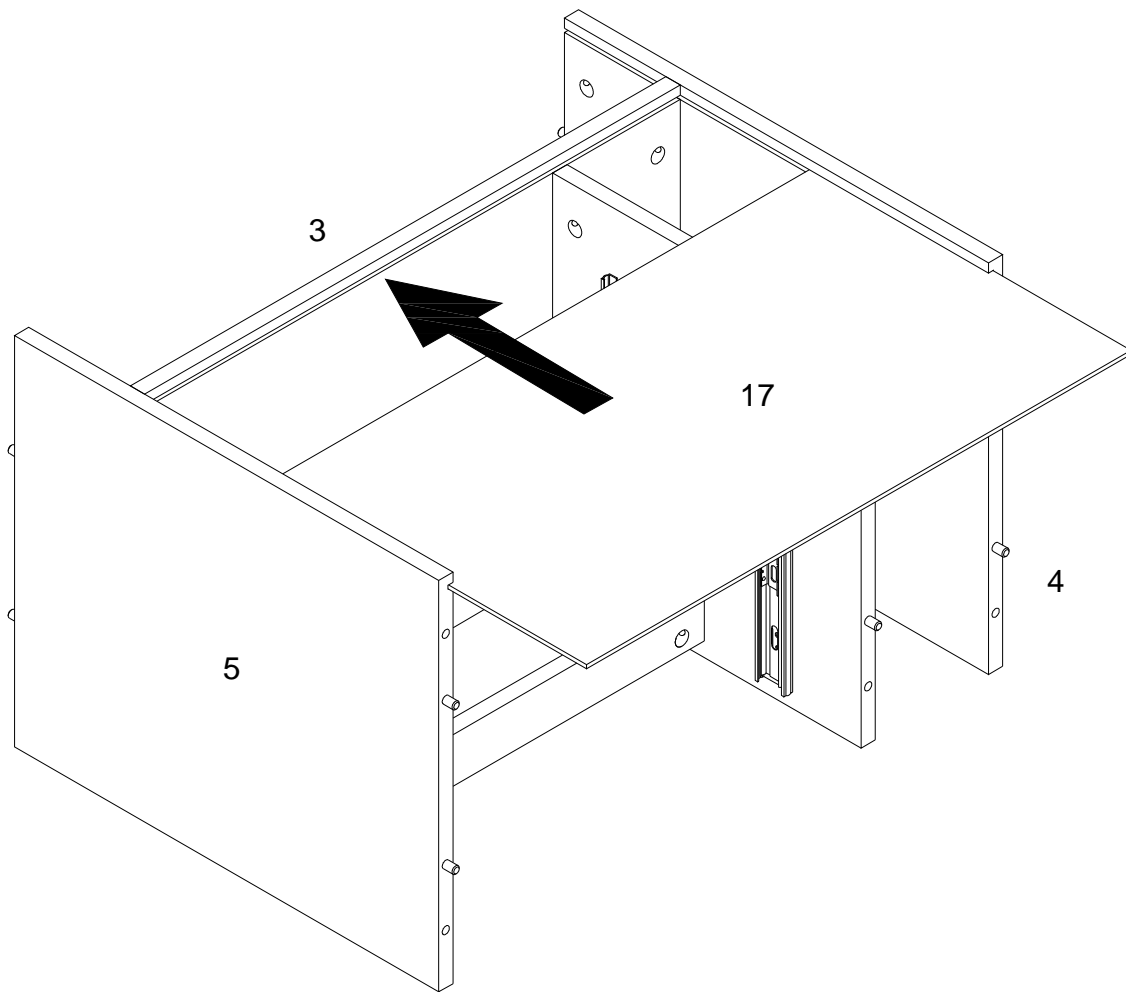
Using cam lock (B) secure part (20) into part (6) with Philips head screwdriver as per diagram.

Step 10



Using cam lock (B) secure part (3,20) into part (5) with Philips head screwdriver as per diagram.

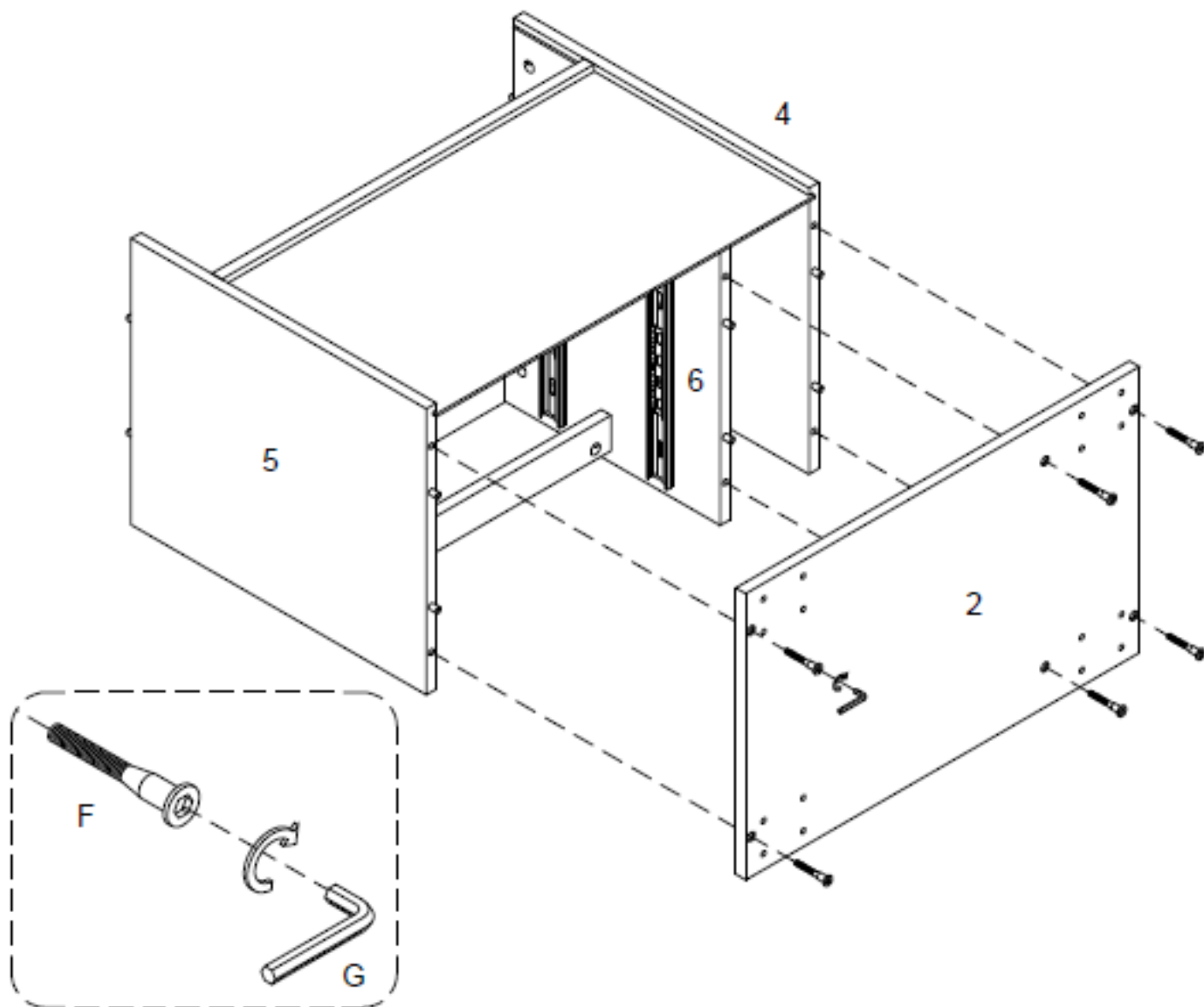
Step 11



Put part (17) into part (3,4,5) as per diagram.

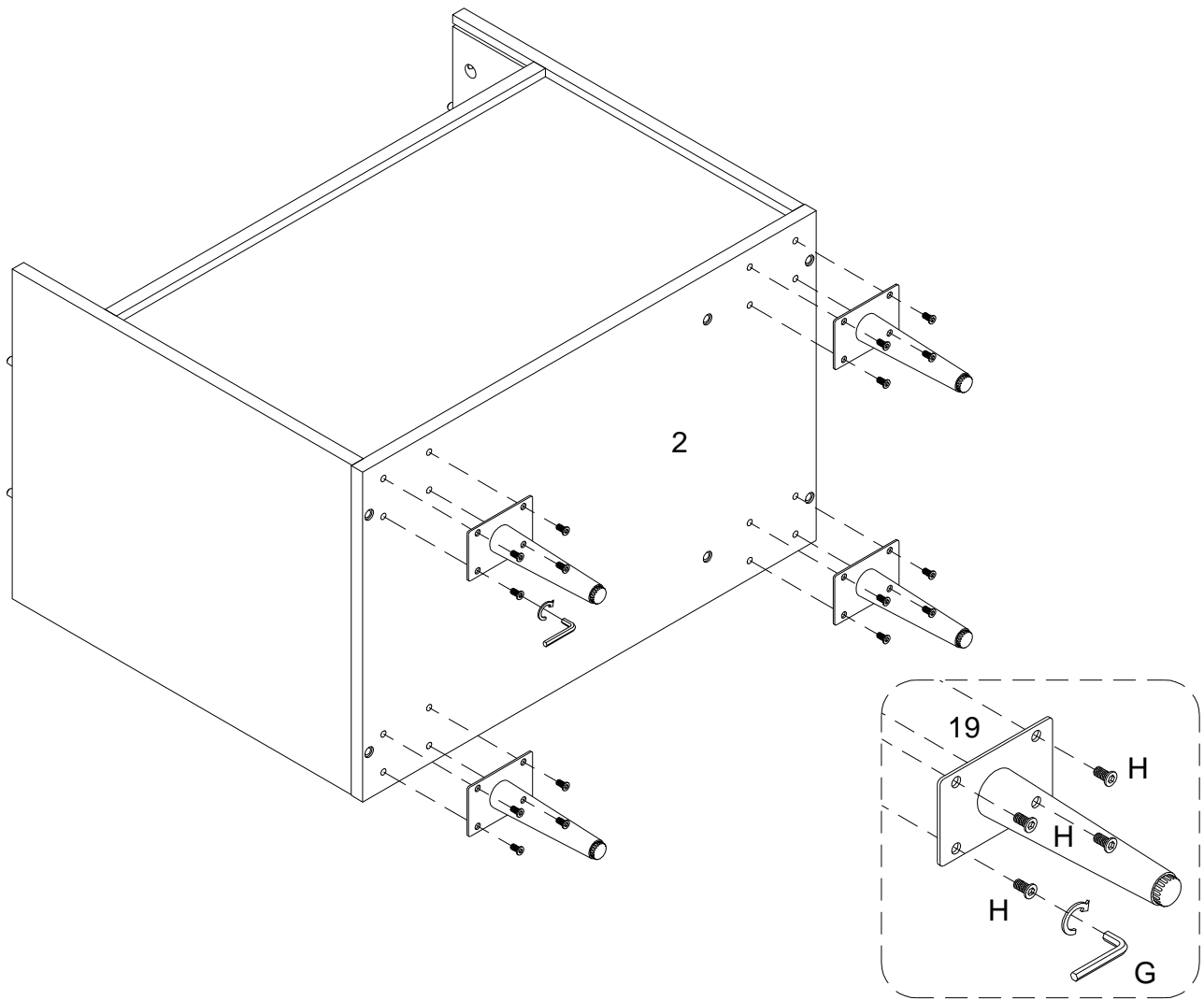
Step 12

Step 12



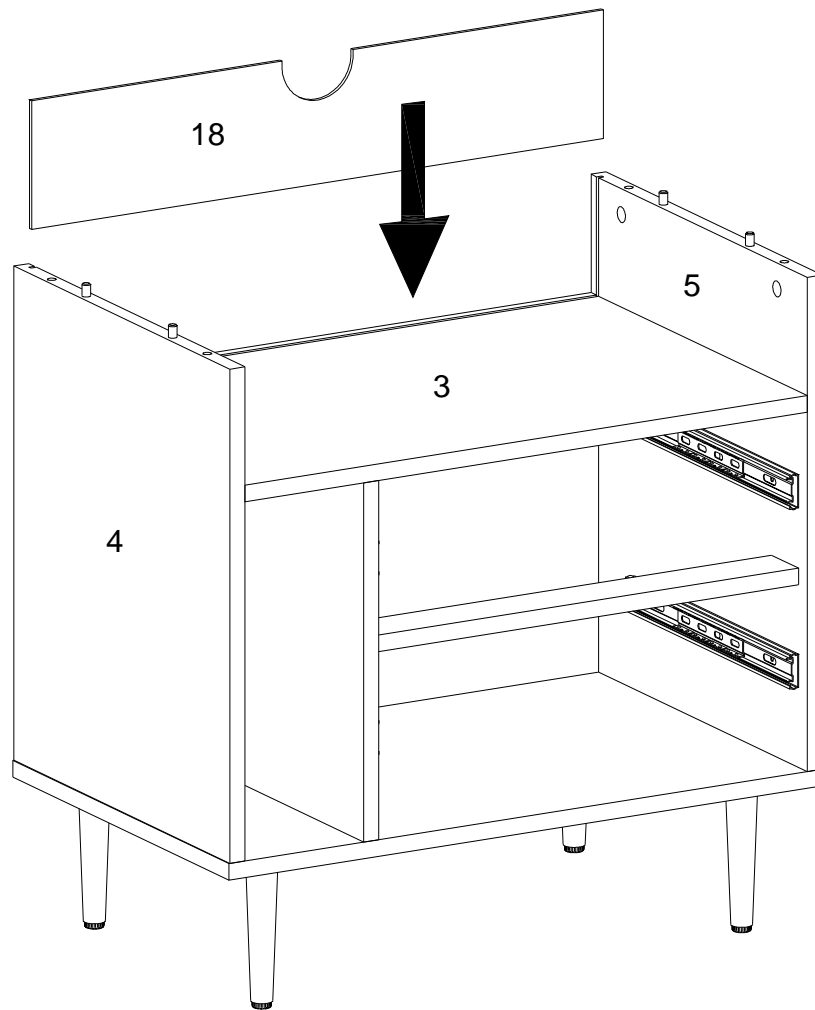
Using bolt (F) secure part (2) into parts (4,5,6) with hex key (G) as per diagram.

Step 13



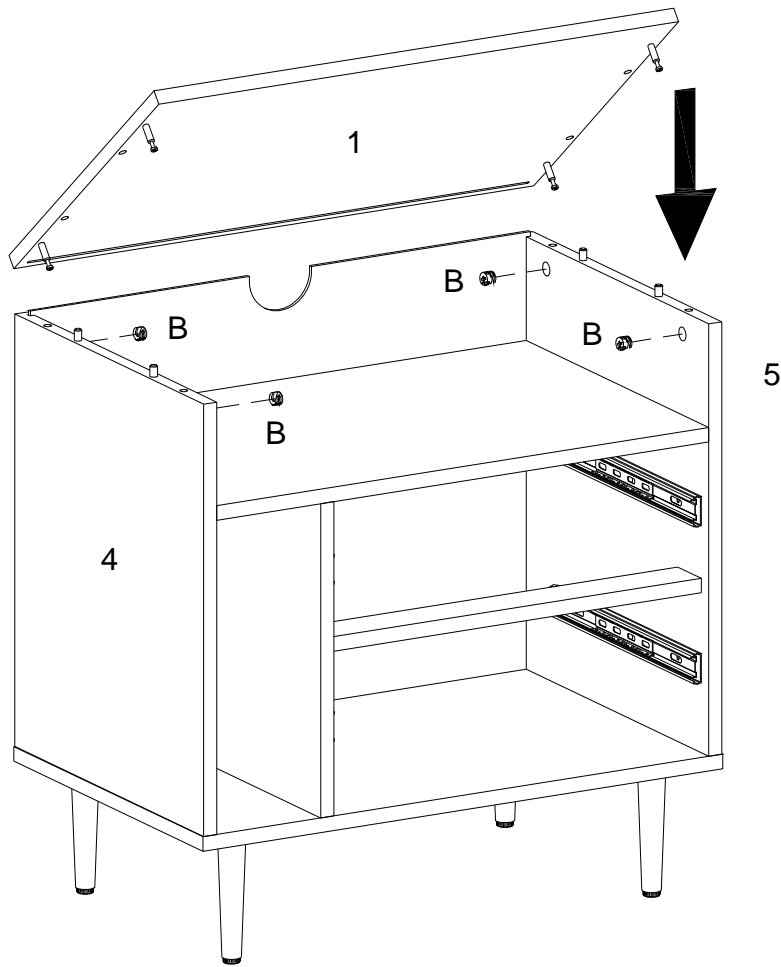
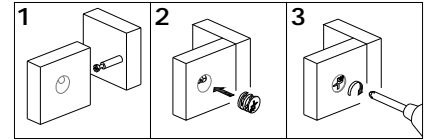
Using bolt (H) secure part (19) into part (2) with hex key (G) as per diagram.

Step 14



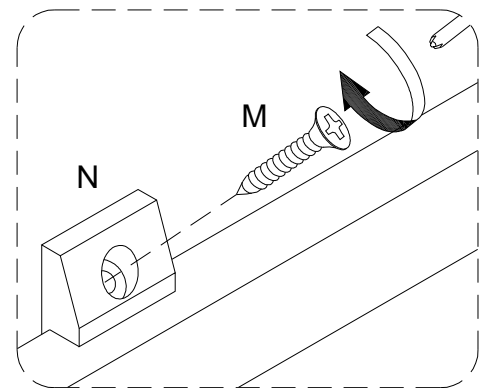
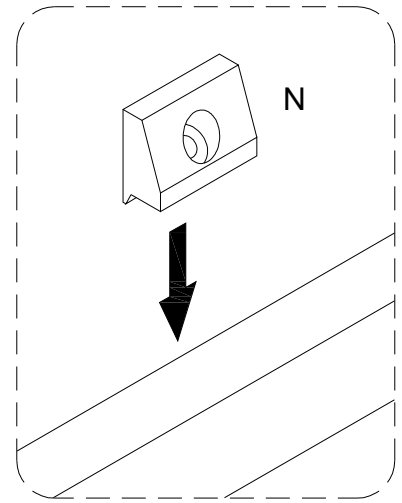
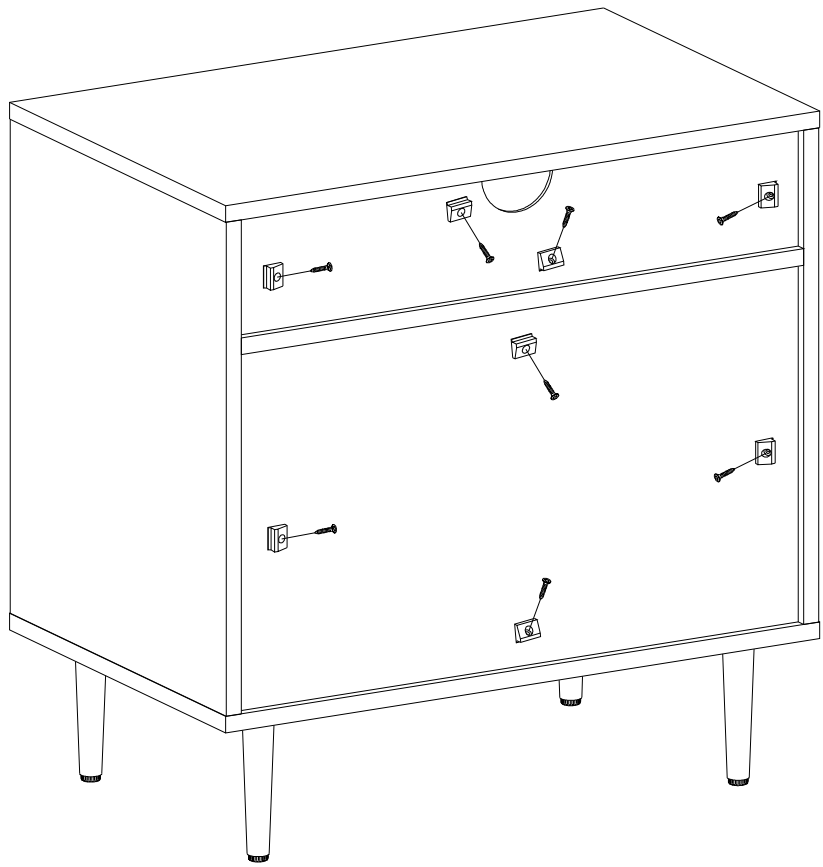
Put part (18) into part (3,4,5) as per diagram.

Step 15



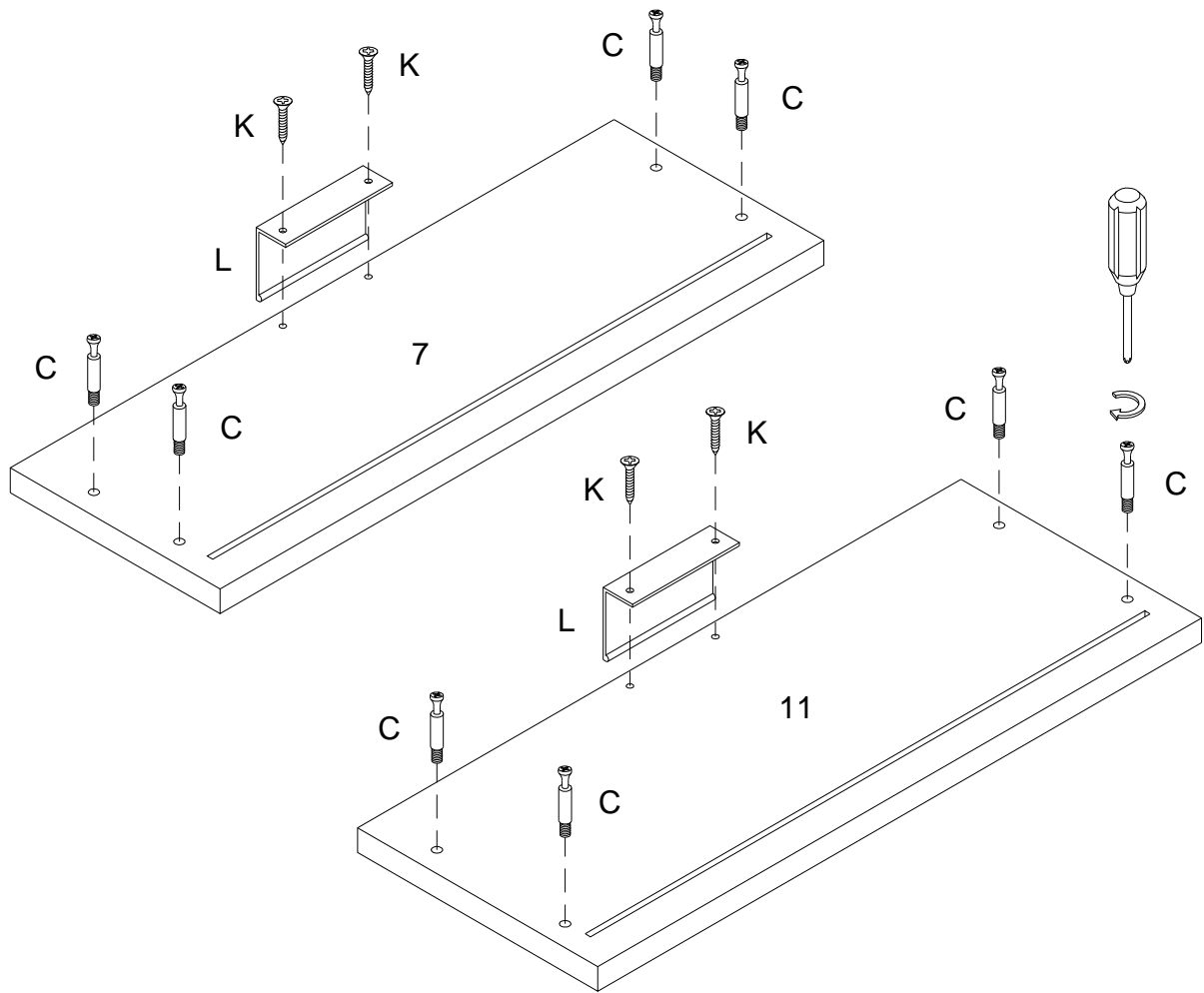
Using cam lock (B) secure part (1) into parts (4,5) with Philips head screwdriver as per diagram.

Step 16



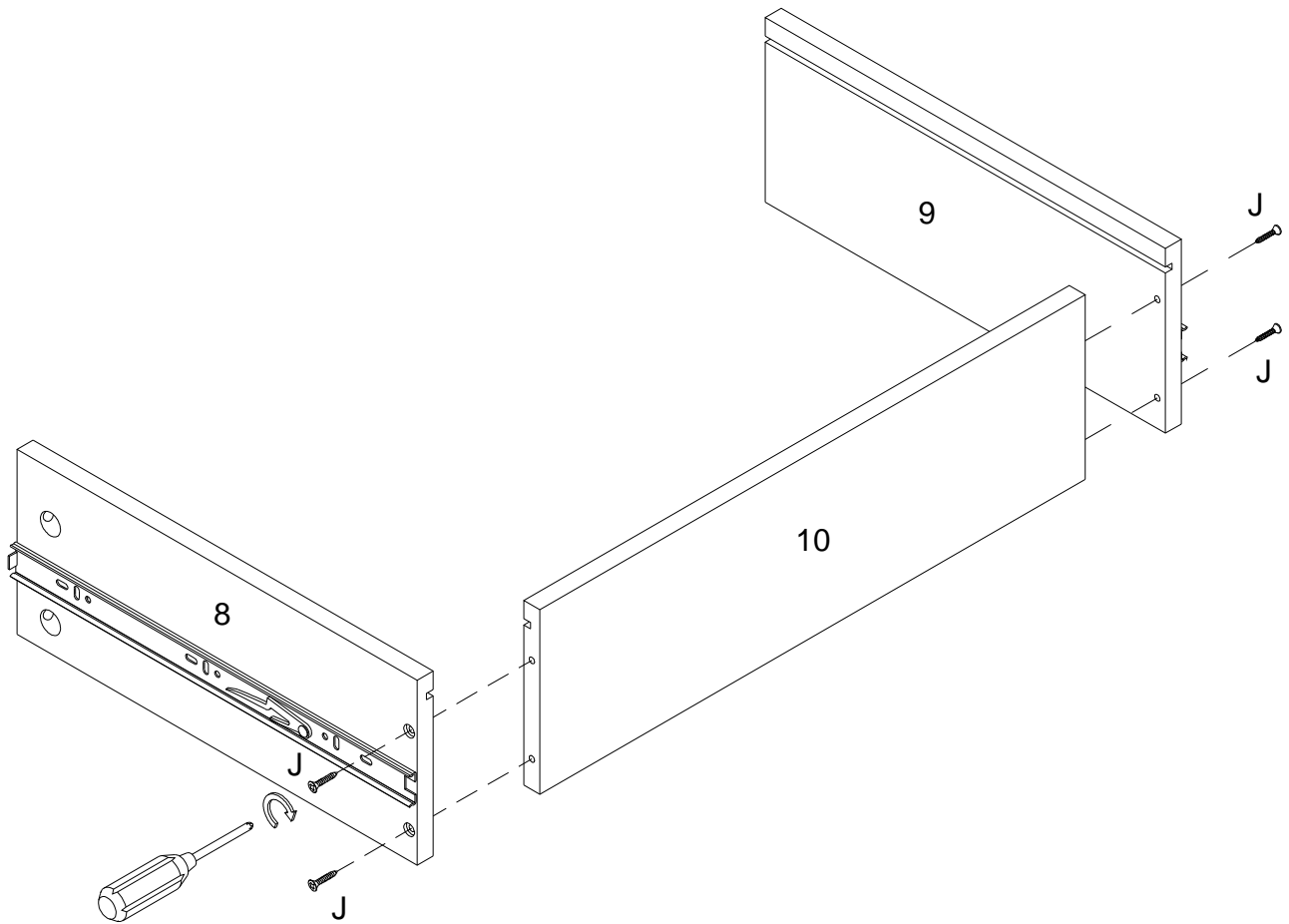
Using screw (M) secure plastic wedge (N) with Philips head screwdriver as per diagram.

Step 17



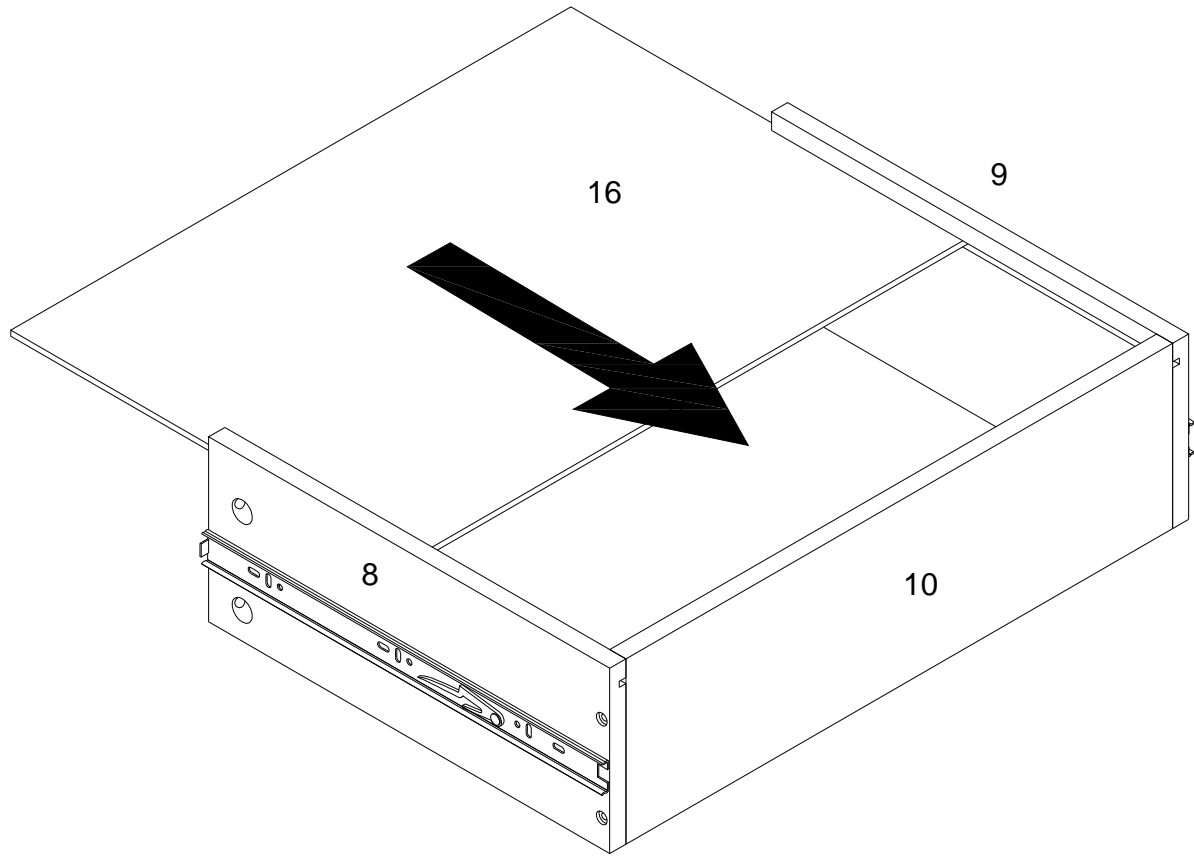
Using cam bolt (C) , screw (K) secure knob (L) to parts (7,11) with Philips head screwdriver as per diagram.

Step 18



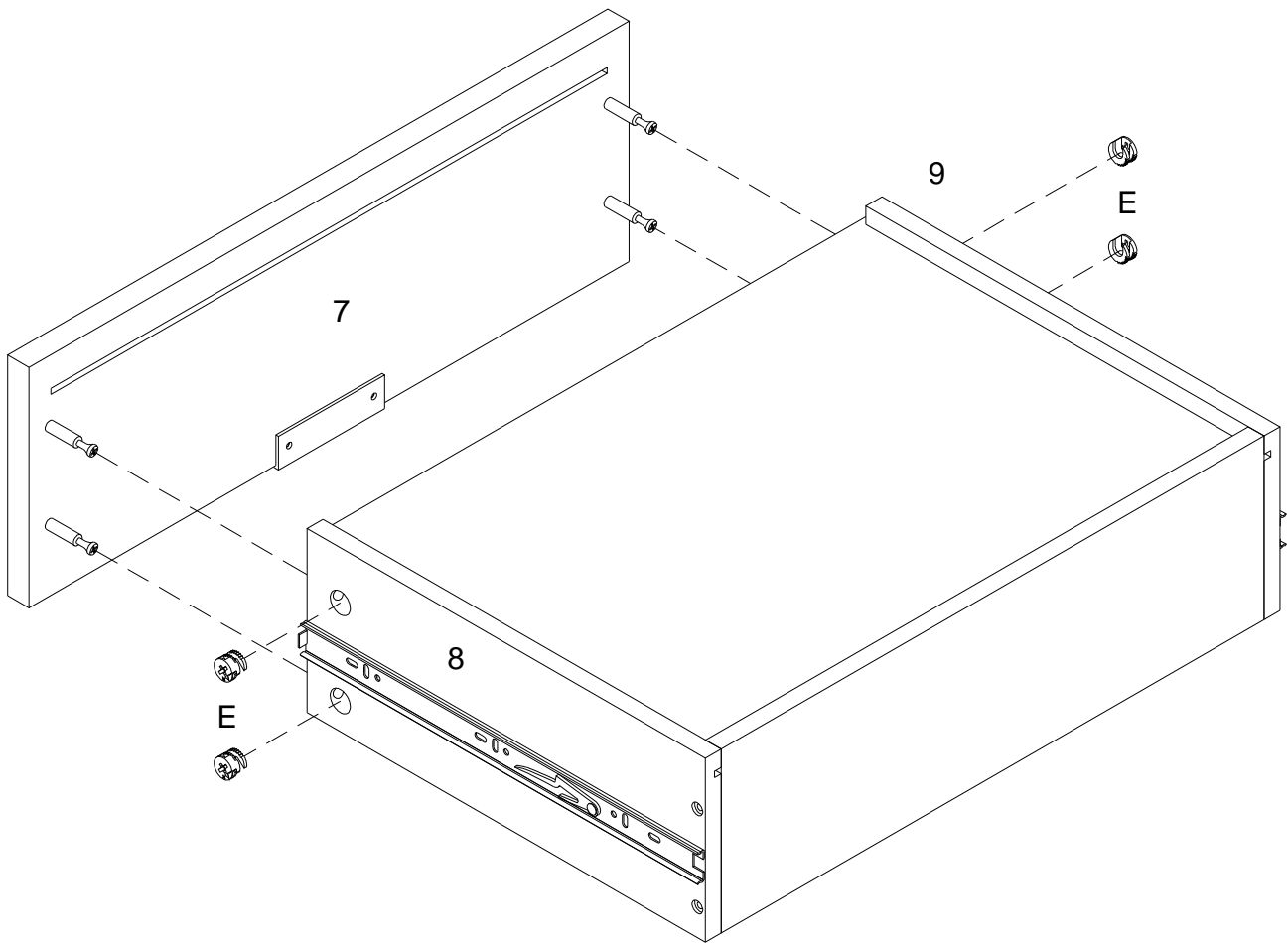
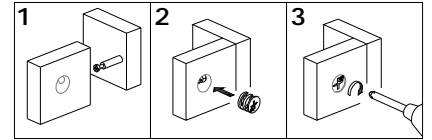
Using screw (J) secure parts (8,9) to part (10) with Philips head screwdriver as per diagram.

Step 19



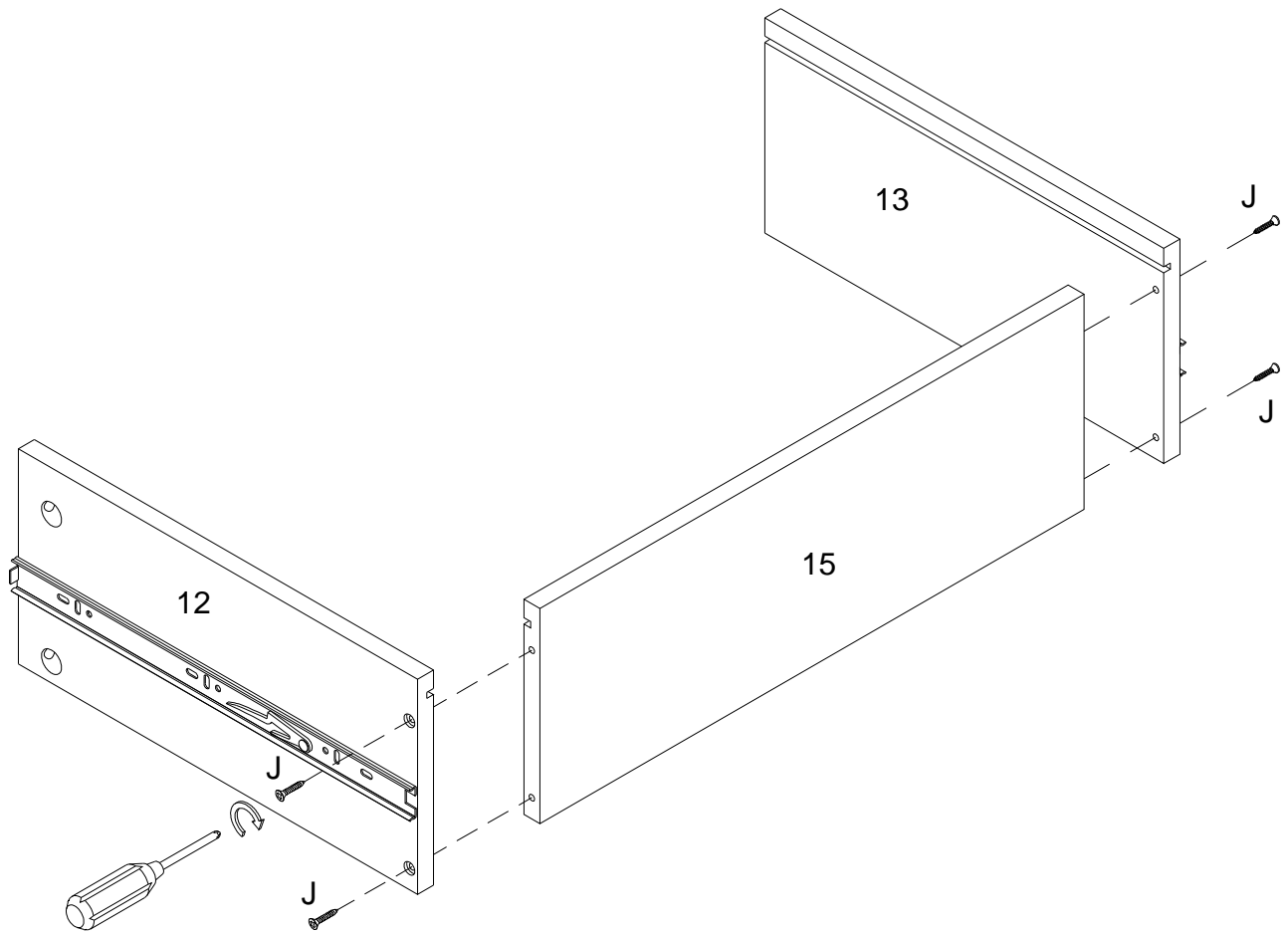
Put part (16) to parts (8,9,10) as per diagram.

Step 20



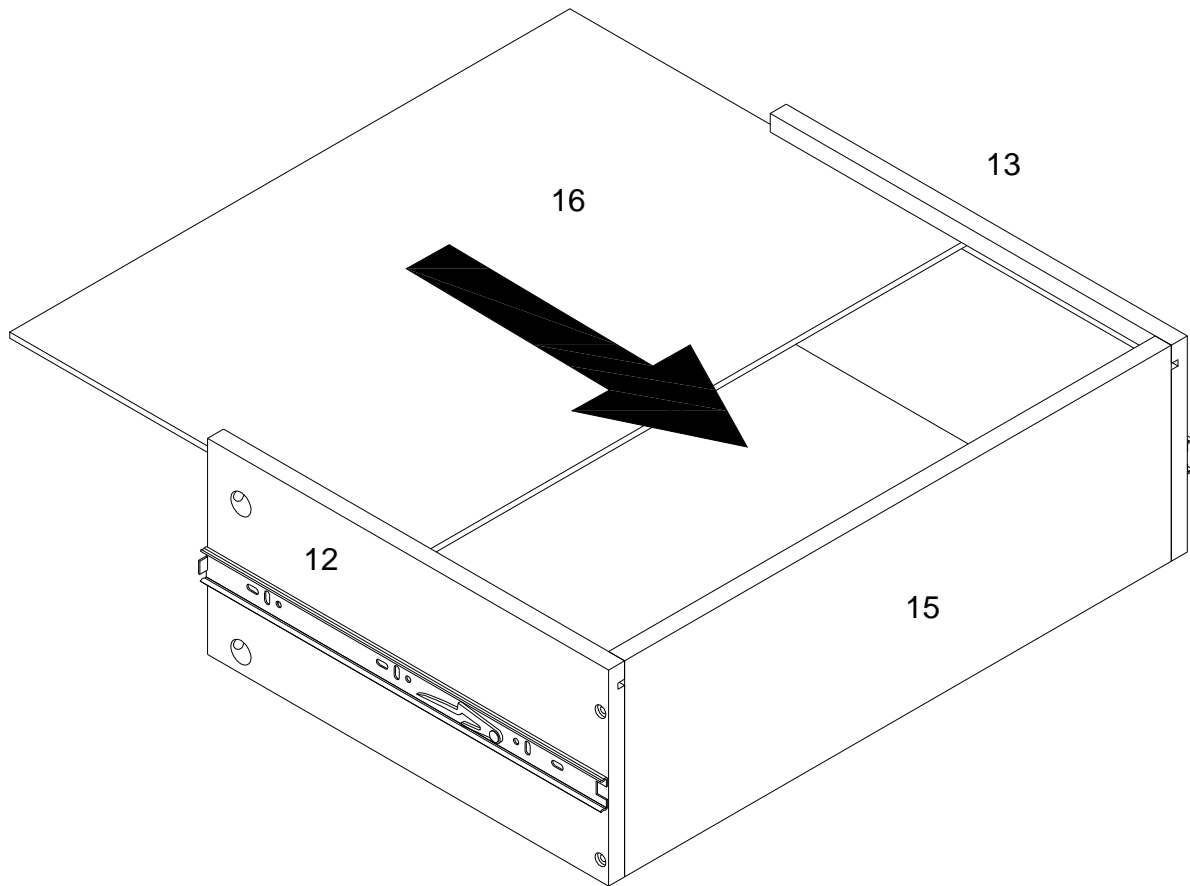
Using cam lock (E) secure part (7) to parts (8,9) with Philips head screwdriver as per diagram.

Step 21



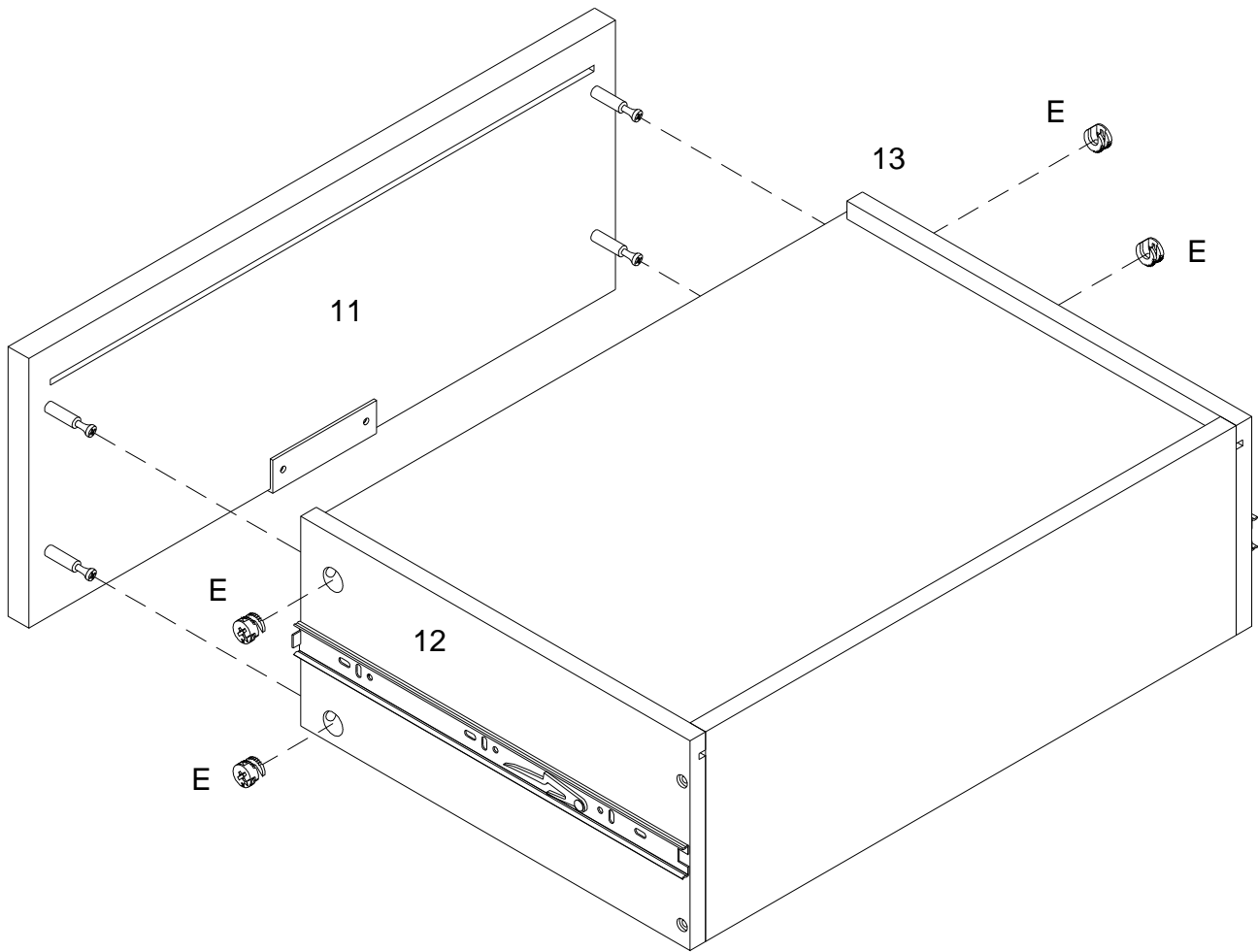
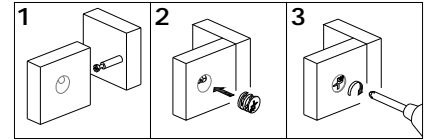
Using screw (J) secure parts (12,13) to part (15) with Philips head screwdriver as per diagram.

Step 22



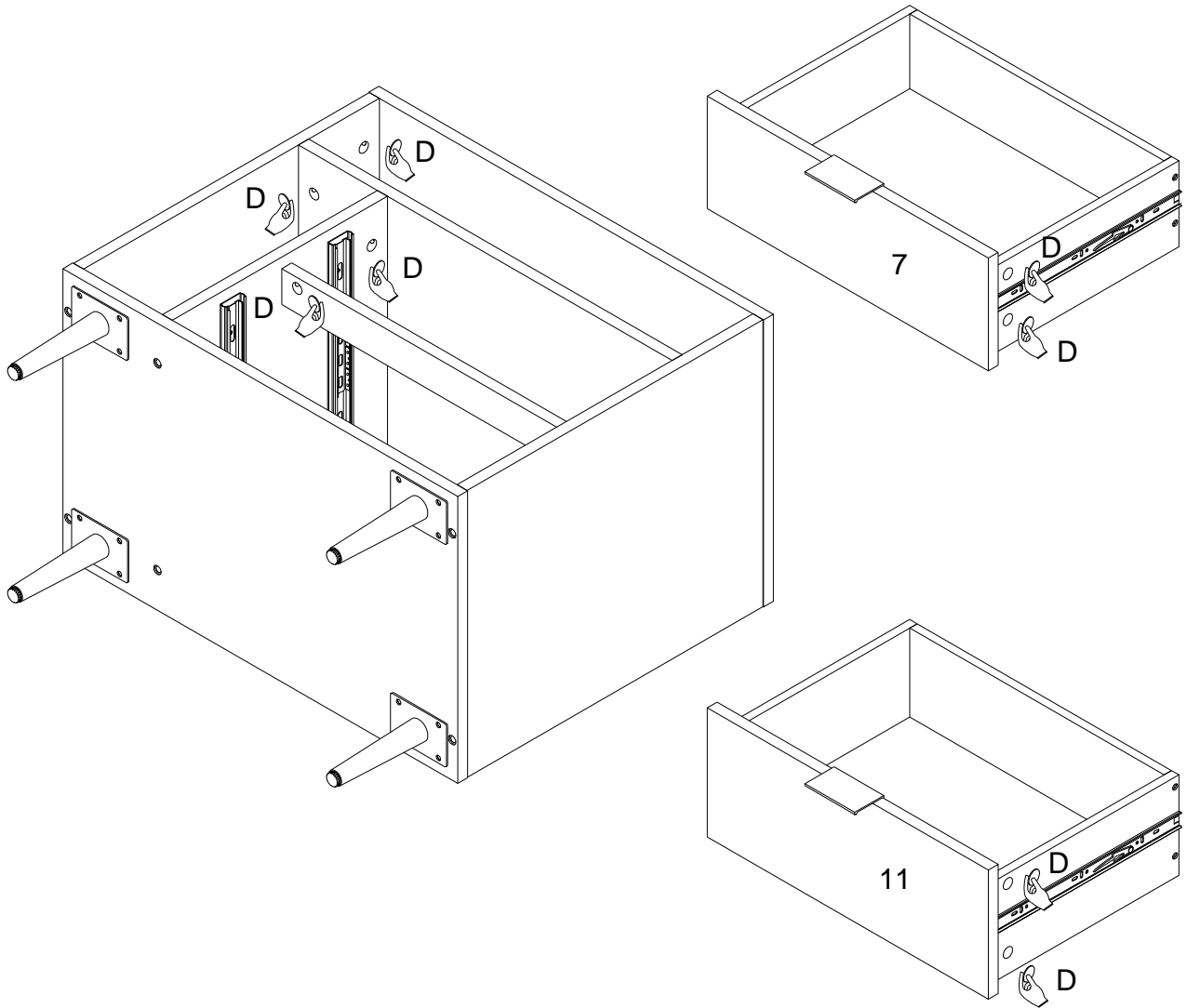
Put part (16) into parts (12,13,15) as per diagram.

Step 23



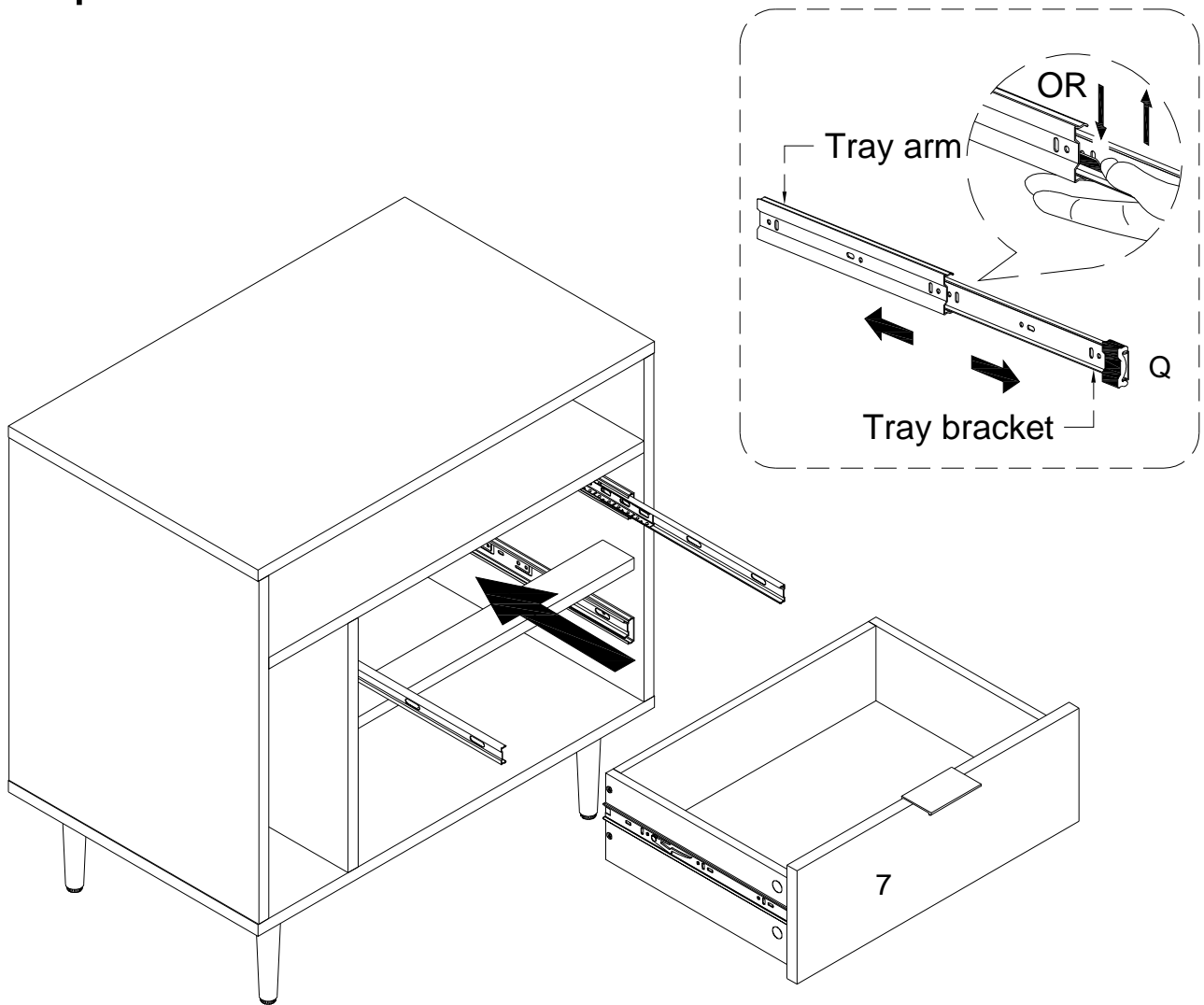
Using cam lock (E) secure part (11) into parts (12,13) with Philips head screwdriver as per diagram.

Step 24



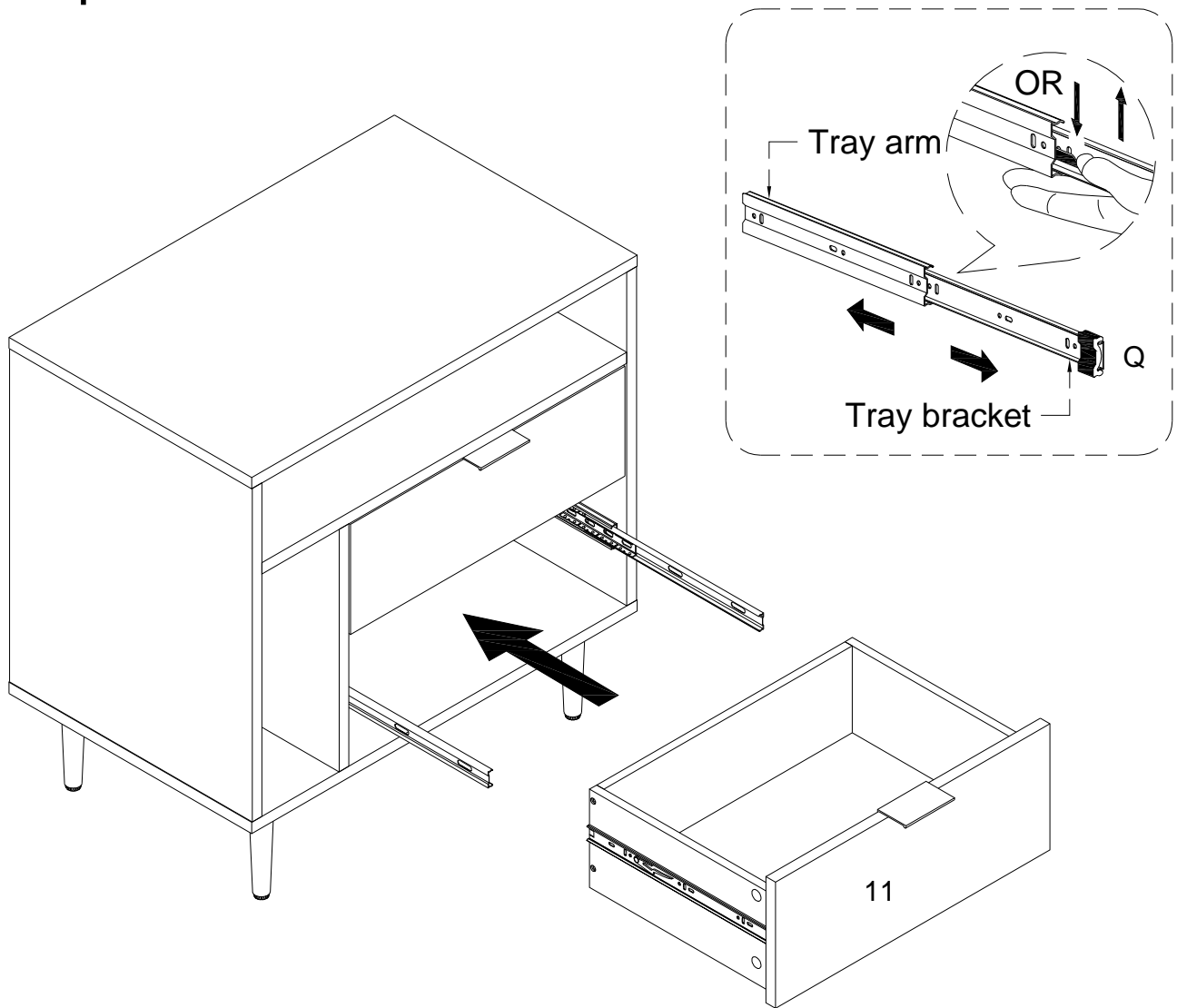
Place sticker (D) cover the holes as per diagram.

Step 25



Put tray bracket (Q) into tray arm as per diagram .

Step 26



Put tray bracket (Q) into tray arm as per diagram .

Step 27



Final Assembly