
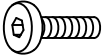



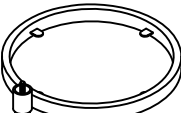
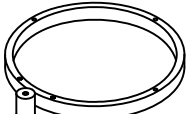
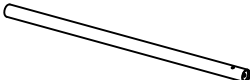
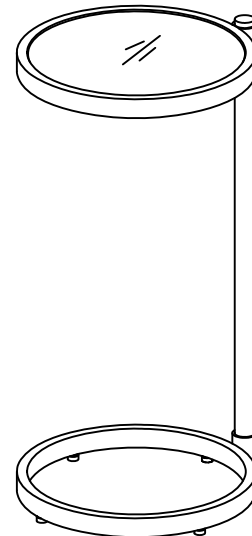


Step	Code	Hardware	QTY
	A	Allen Key 4mm 	1 Pc
2	B	Bolt 1/4" x 20 x 1" 	1 Pc
3	C	Leveler 	5 Pcs
4	D	Rubber Mat 	4 Pcs

Parts List

NO	Description	Sketch	QTY
①	Table Top (Glass)		1 Pc
②	Top Frame		1 Pc
③	Bottom Frame		1 Pc
④	Leg		1 Pc



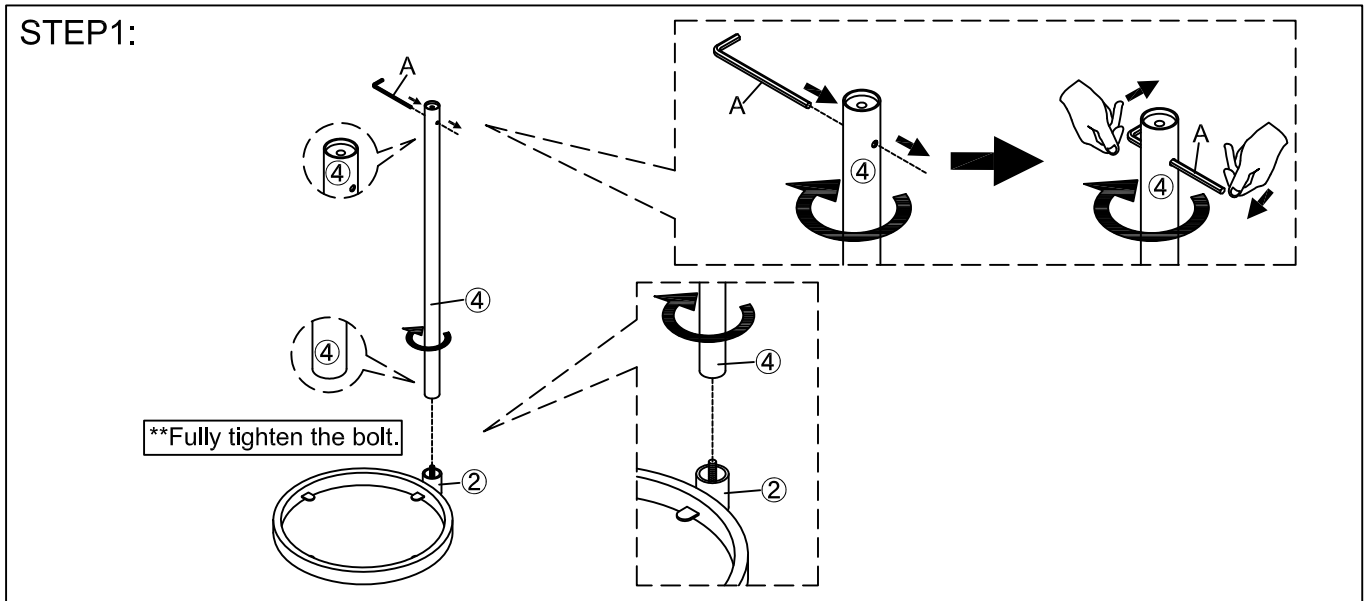
Hardware Pack Location(s):

A15795BK ROUND C TABLE, SKU# 20315760

Version #1 - 2026 / 01 / 07

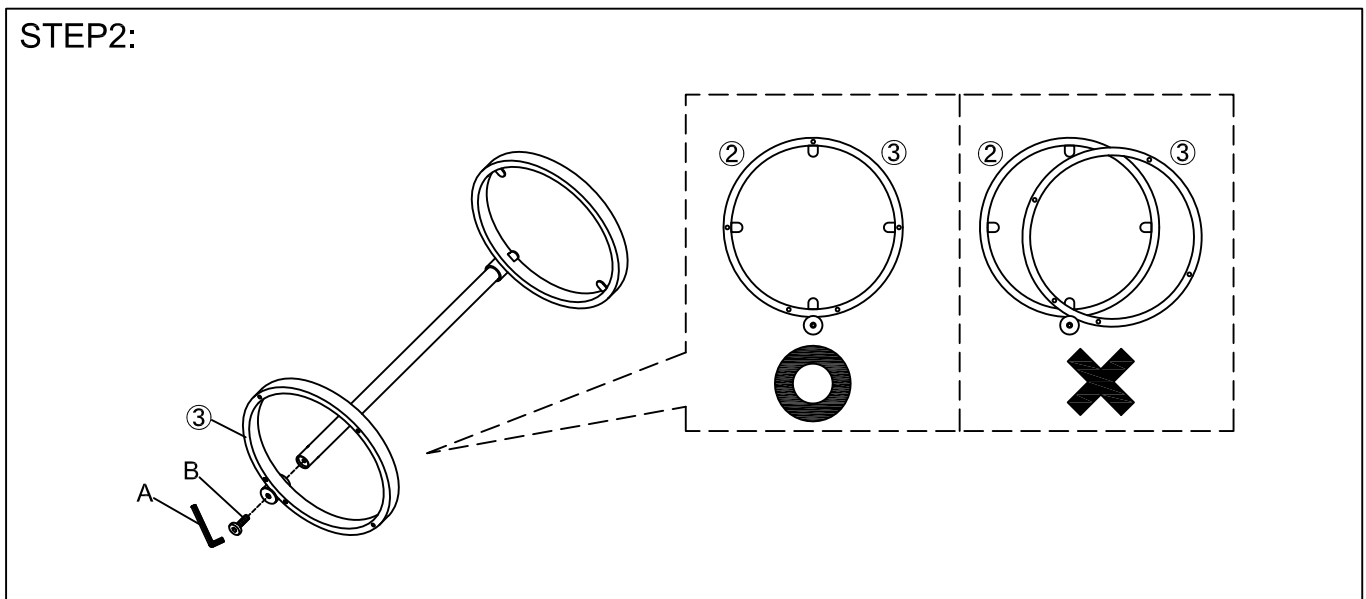
***Caution: Please read all instructions carefully before starting the assembly process. These parts are cumbersome and heavy. Therefore, two people are recommended in order to prevent personal injury and insure the parts are not damaged during the assembly.

STEP1:



Screw in leg (4) into full-thread bolt tighten on top frame (2), then, insert the Allen key (A) through the hole on leg (4). Finally, secure the leg (4) by hand.

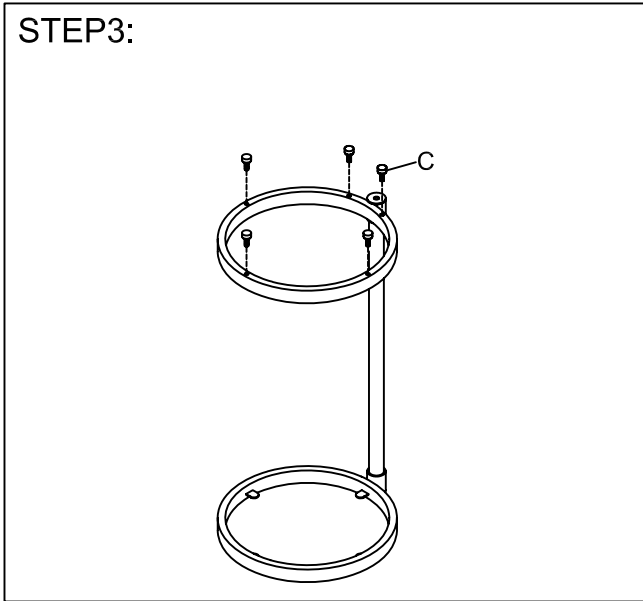
STEP2:



Place the assembled frame (2+4) on a working plane. Then assembly bottom frame (3) to leg (4) with bolt (B) by use of Allen key (A). Keep bottom frame (3) & top frame (2) being coaxial when assembly.

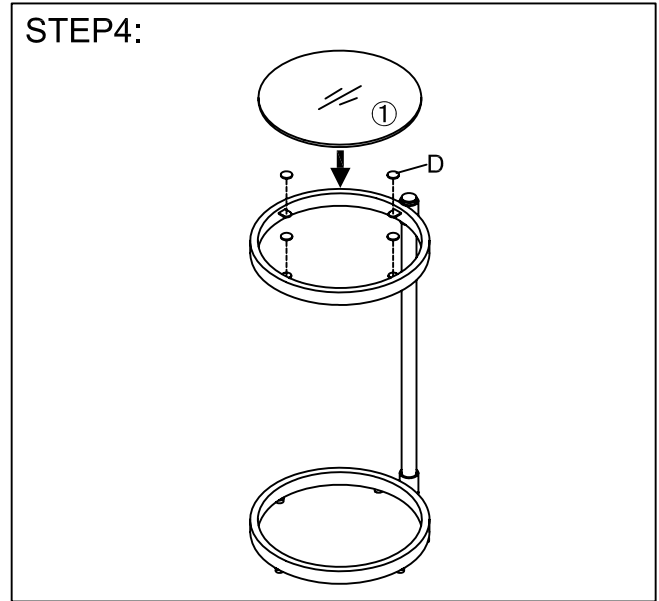
***Caution: Please read all instructions carefully before starting the assembly process. These parts are cumbersome and heavy. Therefore, two people are recommended in order to prevent personal injury and insure the parts are not damaged during the assembly.

STEP3:

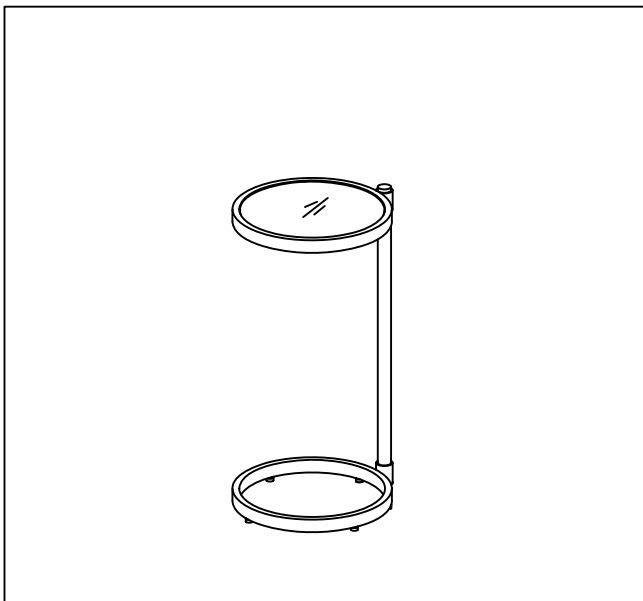


Screw the levelers (C) into the threaded holes on bottom frame (3).

STEP4:



Stick rubber mats (D) onto top frame (2), then, place the glass (1) onto the assembled table.



Assembly finish.