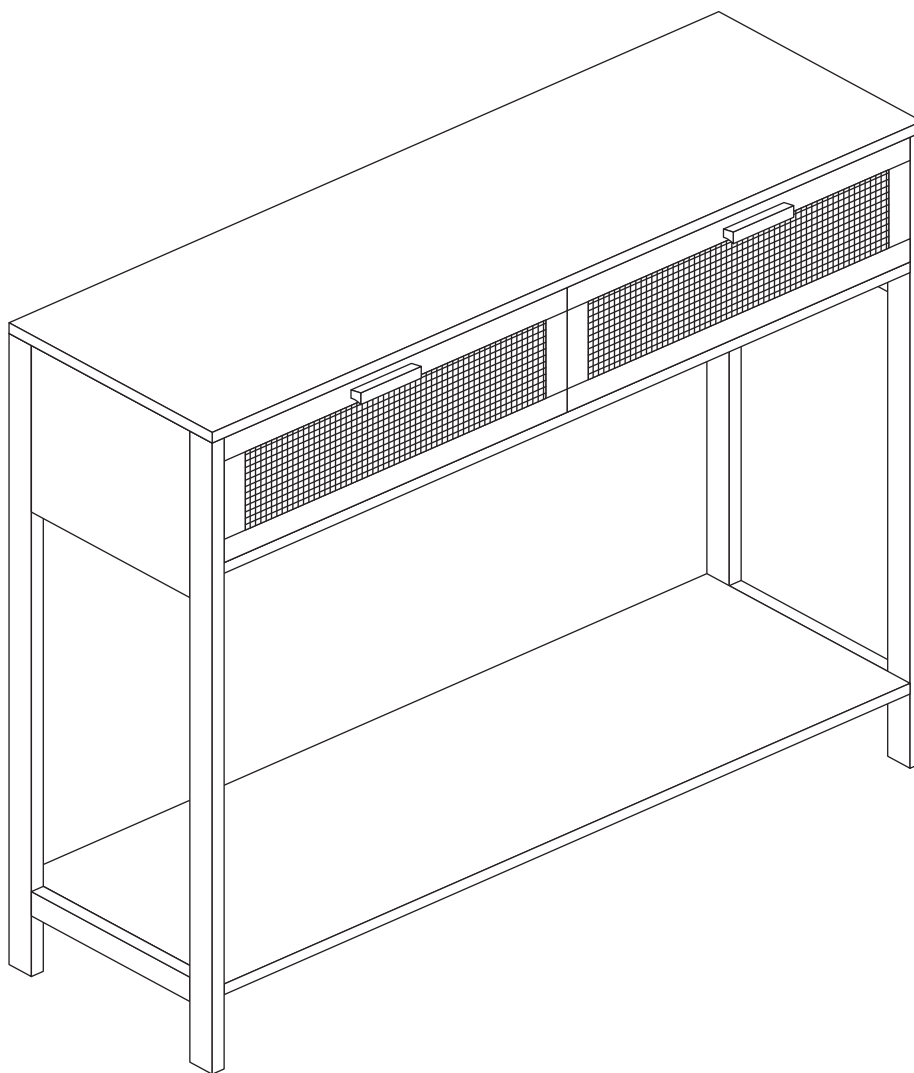


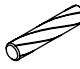
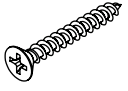
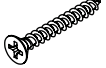

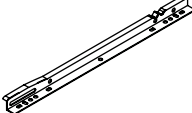
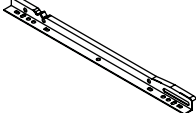
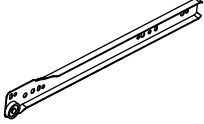
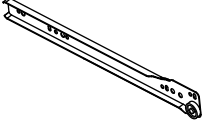
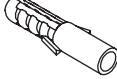


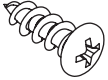



# Console Table

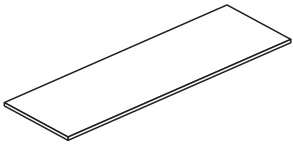


## ASSEMBLY INSTRUCTION

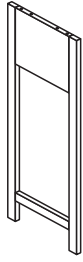
# HARDWARE LIST

a		b		c		d	
24 PCS		24 PCS		20 PCS		12 PCS	
e		f		g		h	
6 PCS		16 PCS		2 PCS		2 PCS	
i		j		k		l	
2 PCS		2 PCS		2 PCS		2 PCS	
m		n		o			
4 PCS		2 PCS		4 PCS			

**PARTS LIST**



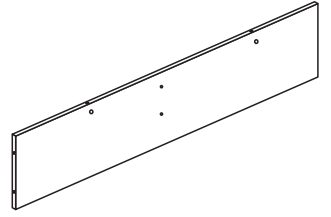
1 - 1 PC



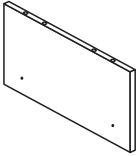
2 - 1 PC



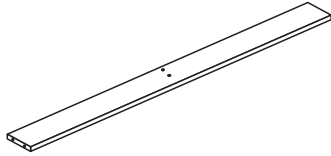
3 - 1 PC



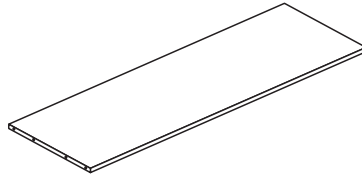
4 - 1 PC



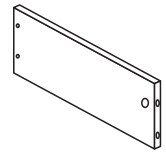
5 - 1 PC



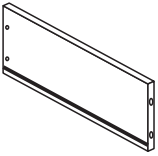
6 - 1 PC



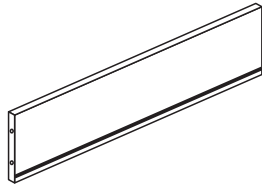
7 - 1 PC



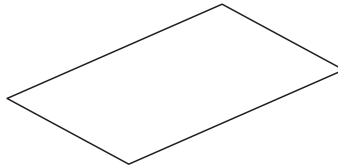
8 - 2 PCS



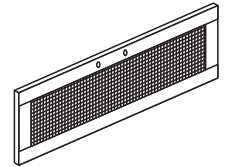
9 - 2 PCS



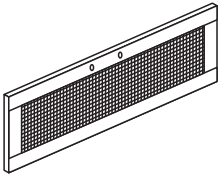
10 - 2 PCS



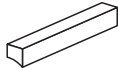
11 - 2 PCS



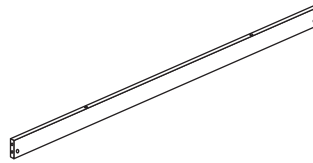
12 - 1 PC



13 - 1 PC



14 - 2 PCS

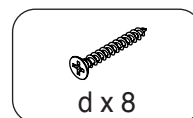


15 - 1 PC

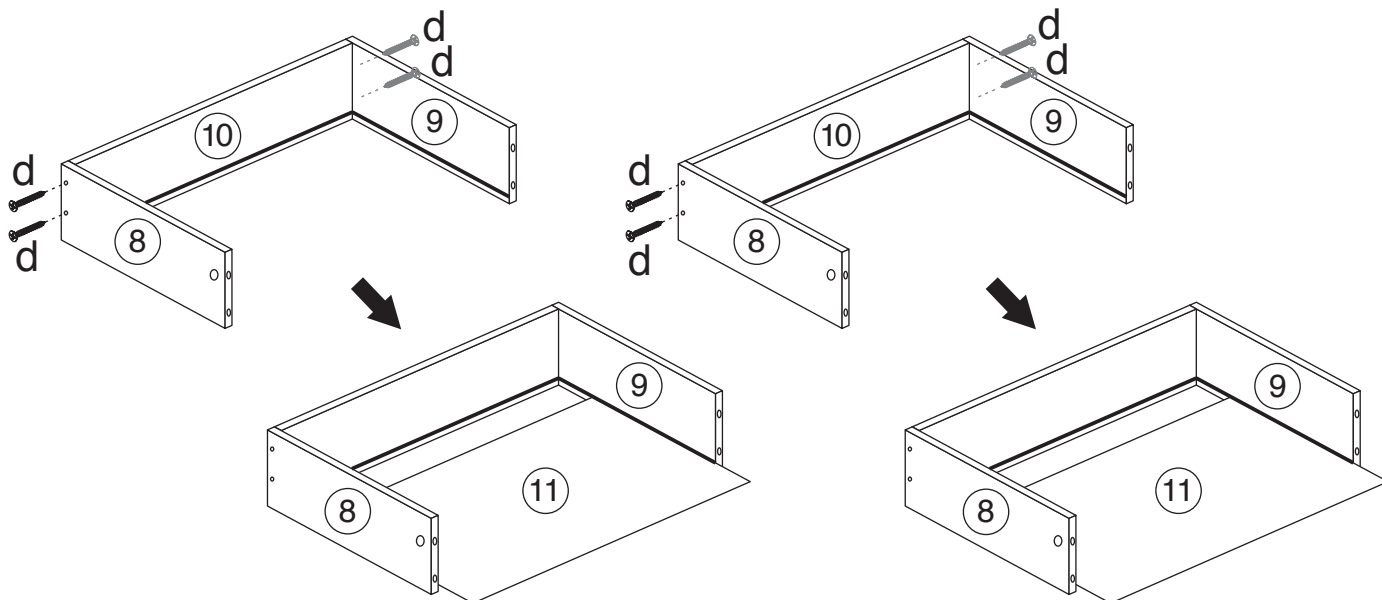
# ASSEMBLY STEPS

## STEP 1.

Fix parts 8 and 9 to part 10 using screws (d), as shown.

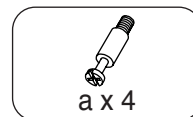


Slide part 11 into grooves between parts 8 and 9, as shown.

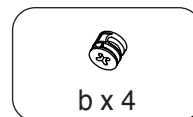


## STEP 2.

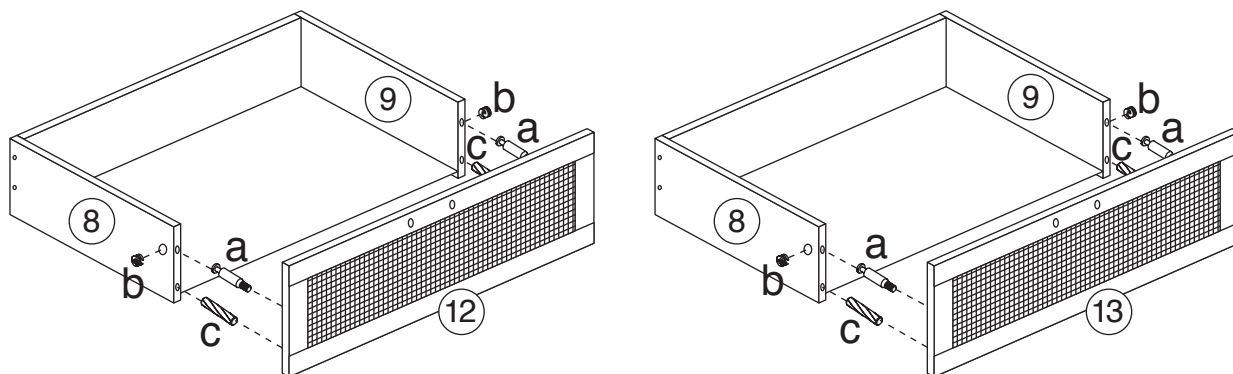
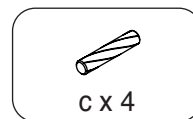
Insert quickfit screws (a) to parts 12 and 13.



Insert cam locks (b) and wooden dowels (c) to parts 8 and 9, as shown.



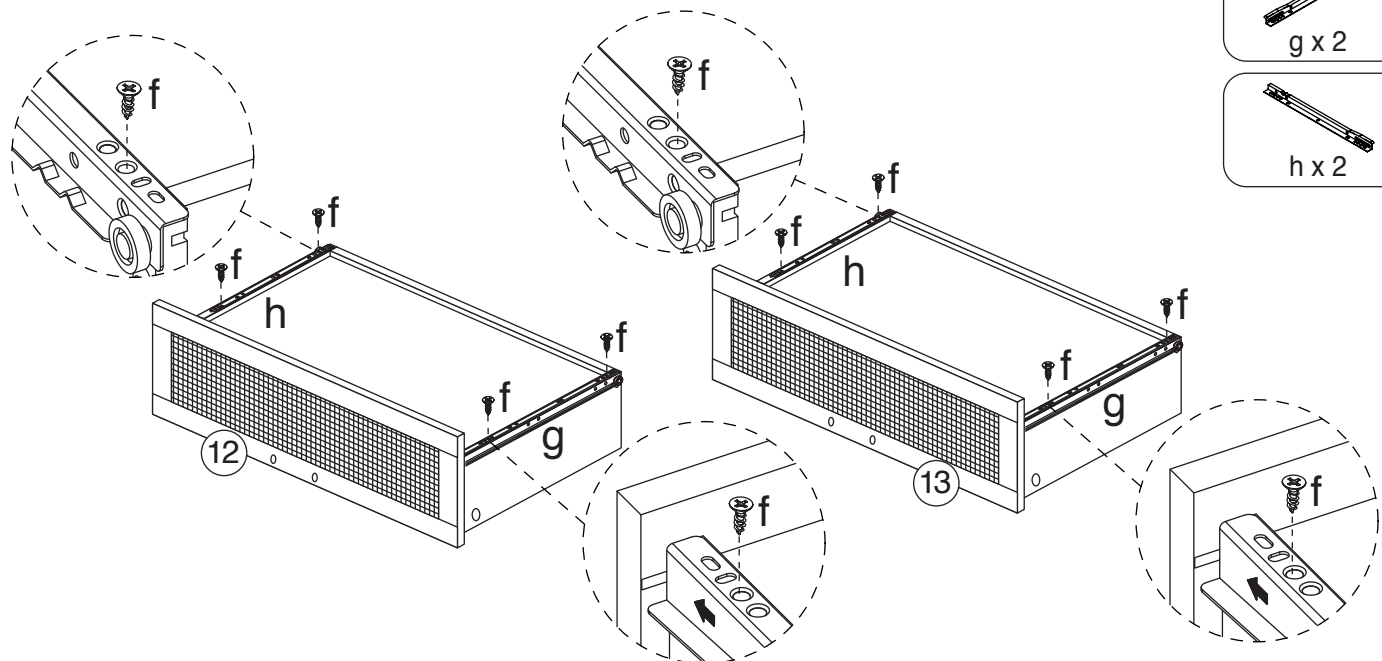
Fit parts 12 and 13 to parts 8 and 9, turn cam locks clockwise to tighten.



# ASSEMBLY STEPS

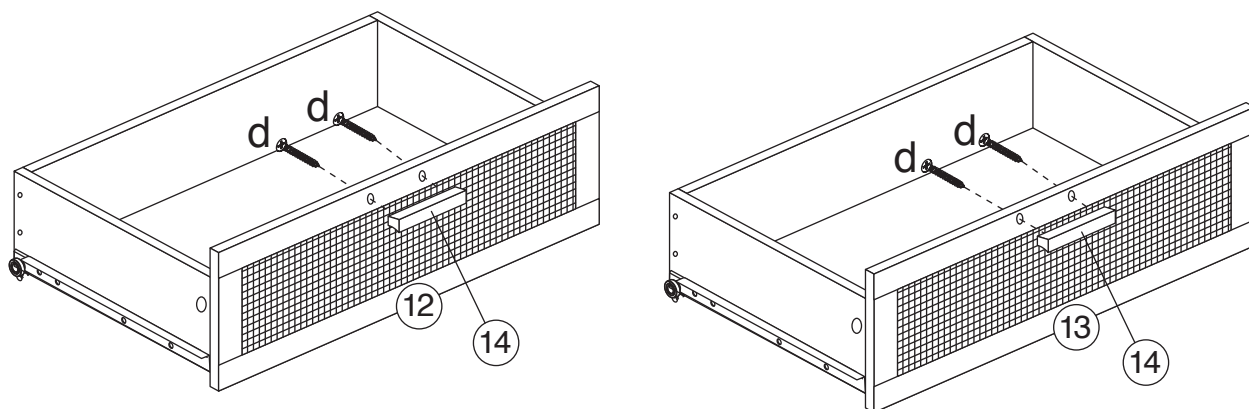
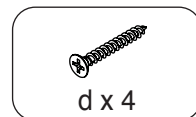
## STEP 3.

Fix outer drawer runners (g) and (h) to assembled drawers using screws (f), as shown.



## STEP 4.

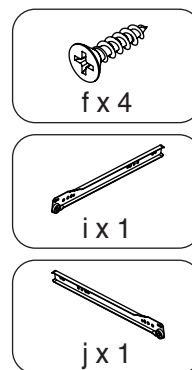
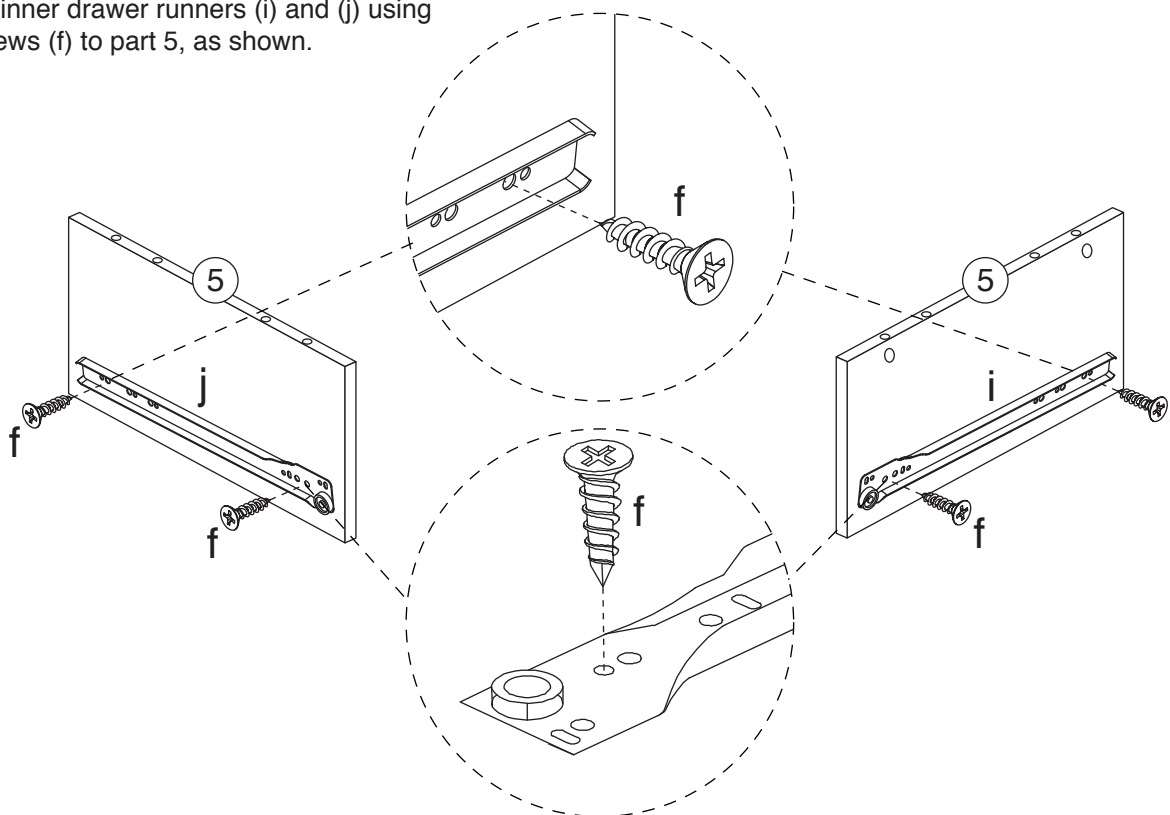
Fix handles 14 to parts 12 and 13 using screws (d), as shown.



# ASSEMBLY STEPS

## STEP 5.

Fix inner drawer runners (i) and (j) using screws (f) to part 5, as shown.

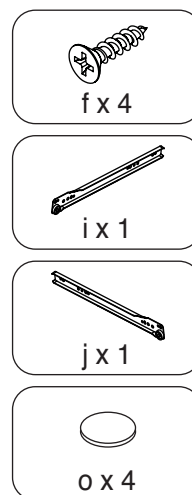
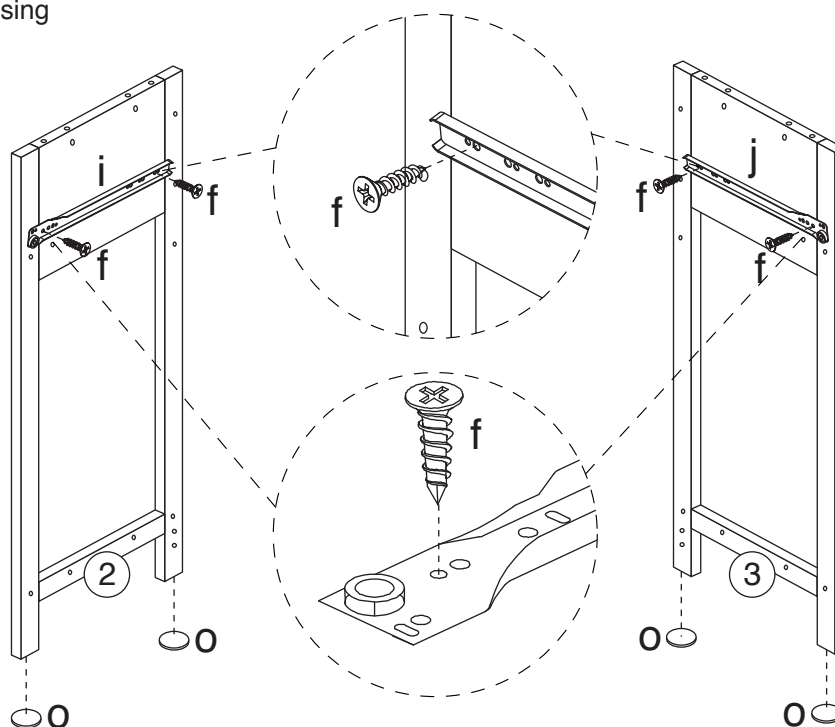


## STEP 6.

Fix left inner drawer runner (i) using screws (f) to part 2, as shown.

Fix right inner drawer runner (j) using screws (f) to part 3, as shown.

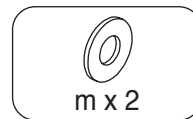
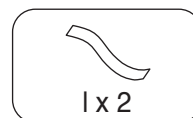
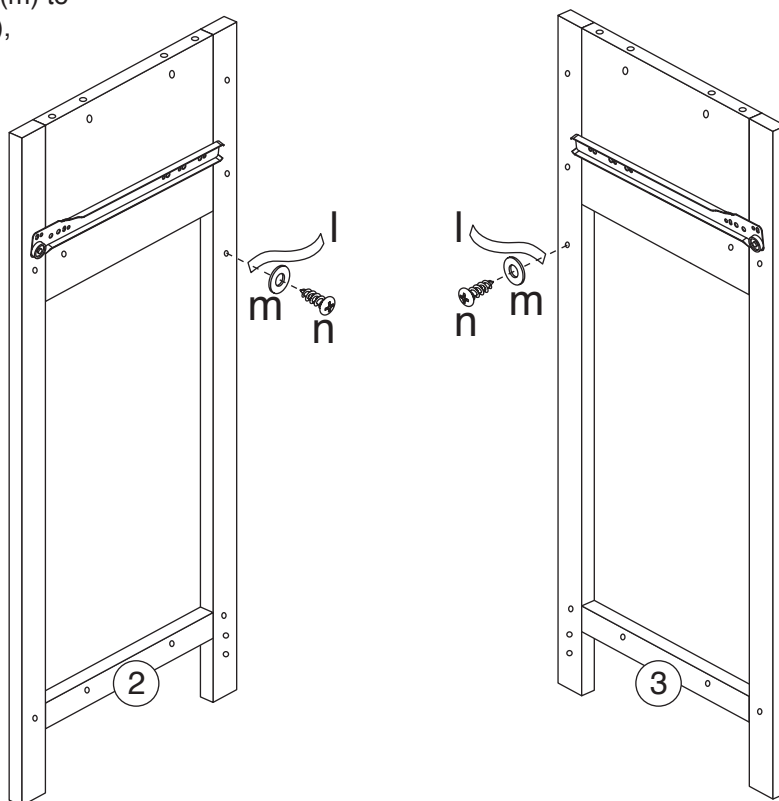
Fix rubber pads (o) to parts 2 and 3, as shown.



# ASSEMBLY STEPS

## STEP 7.

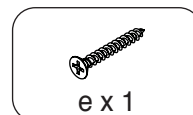
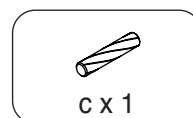
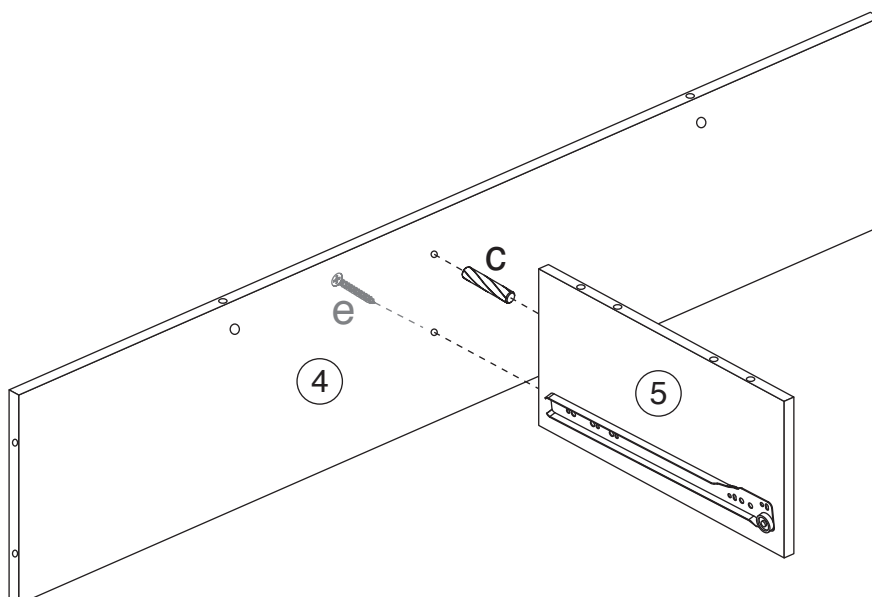
Fix wall straps (l) and washer (m) to parts 2 and 3 using screws (n), as shown.



## STEP 8.

Insert wooden dowels (c) to part 4.

Fix part 5 to part 4 using a screw (e), as shown.

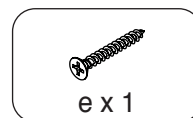
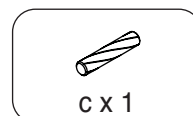
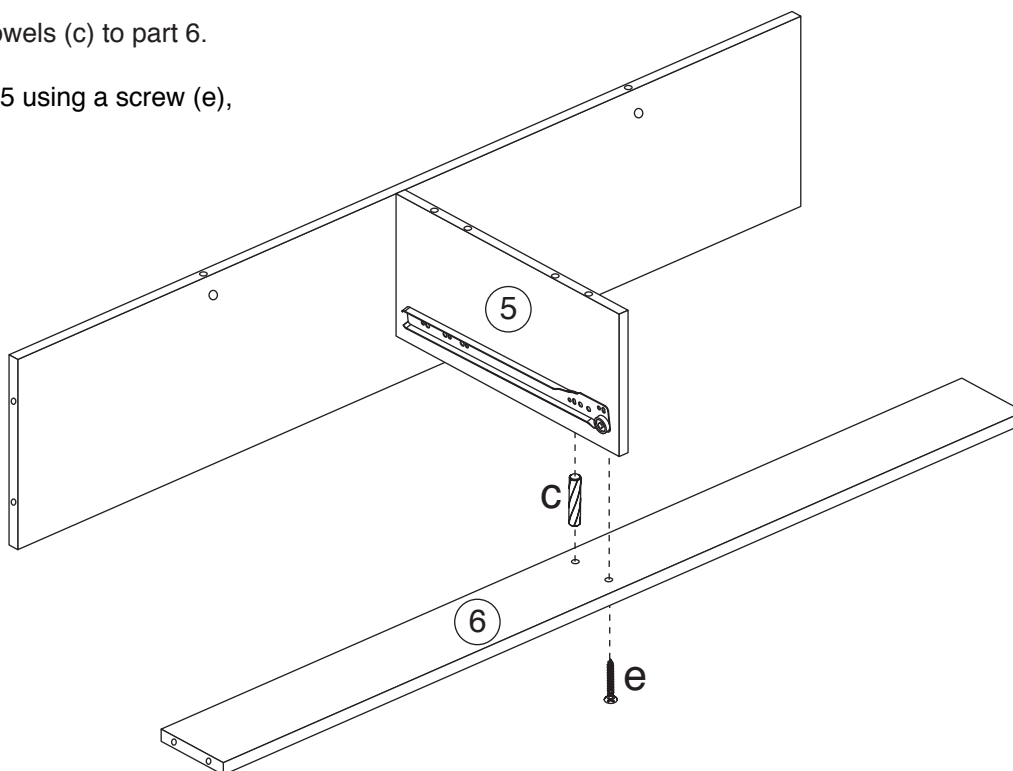


# ASSEMBLY STEPS

## STEP 9.

Insert wooden dowels (c) to part 6.

Fix part 6 to part 5 using a screw (e), as shown.



## STEP 10.

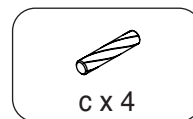
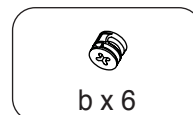
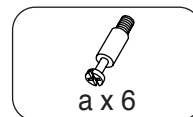
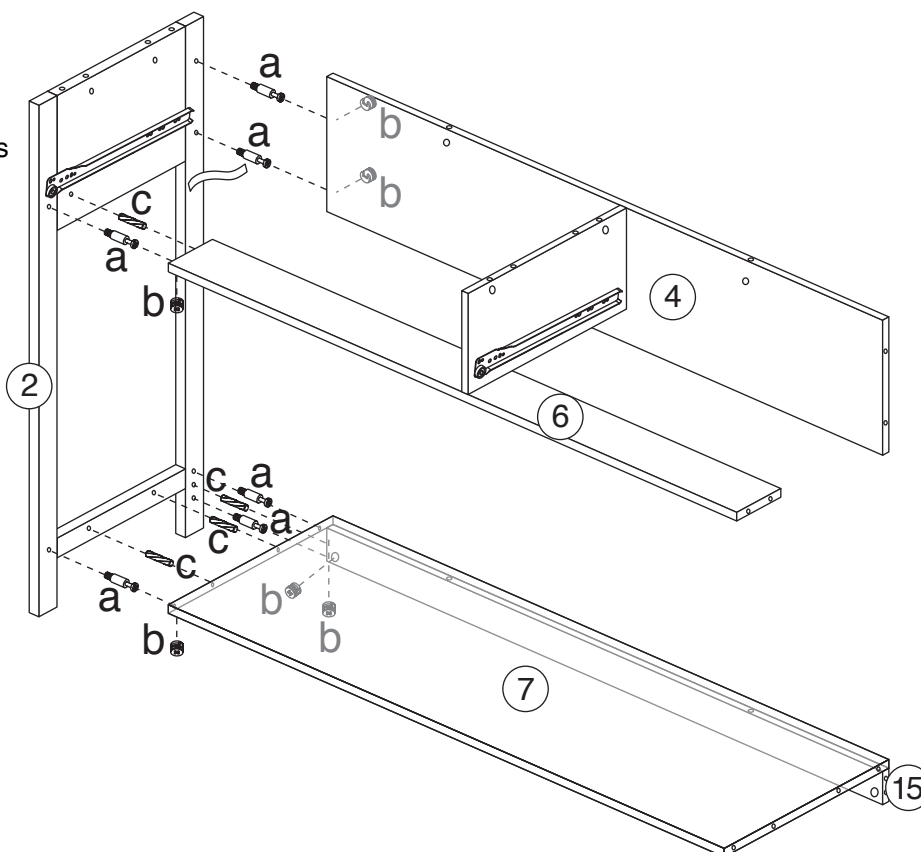
Fix wooden dowels (c) to part 2, as shown.

Insert cam locks (b) to parts 4, 6, 7 and 15.

Fix quickfit screws (a) to part 2.

Fix parts 4, 6, 7 and 15 to part 2, as shown.

Turn cam locks clockwise to tighten.





# ASSEMBLY STEPS

## STEP 11.

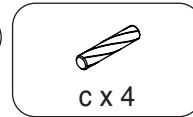
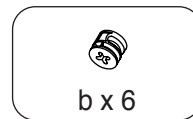
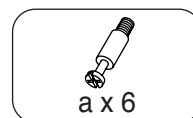
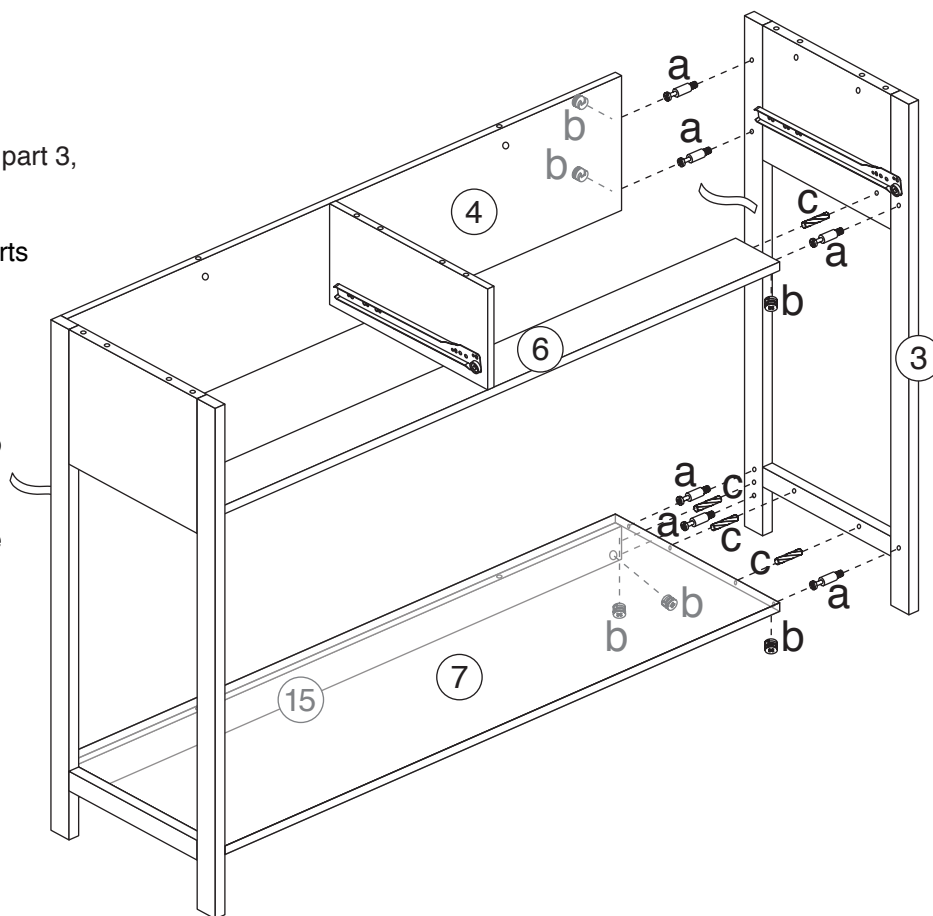
Fix wooden dowels (c) to part 3, as shown.

Insert cam locks (b) to parts 4, 6, 7 and 15.

Fix quickfit screws (a) to part 3.

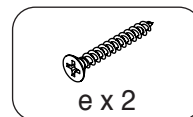
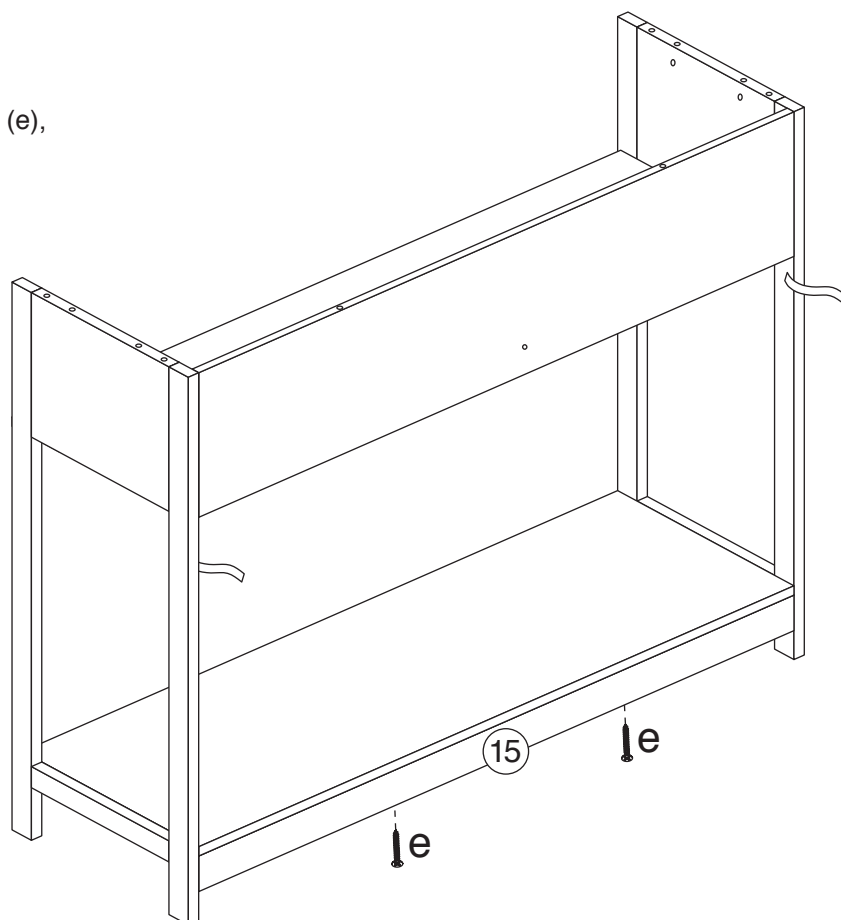
Fix parts 4, 6, 7 and 15 to part 3, as shown.

Turn cam locks clockwise to tighten.



## STEP 12.

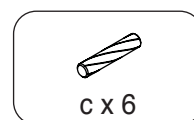
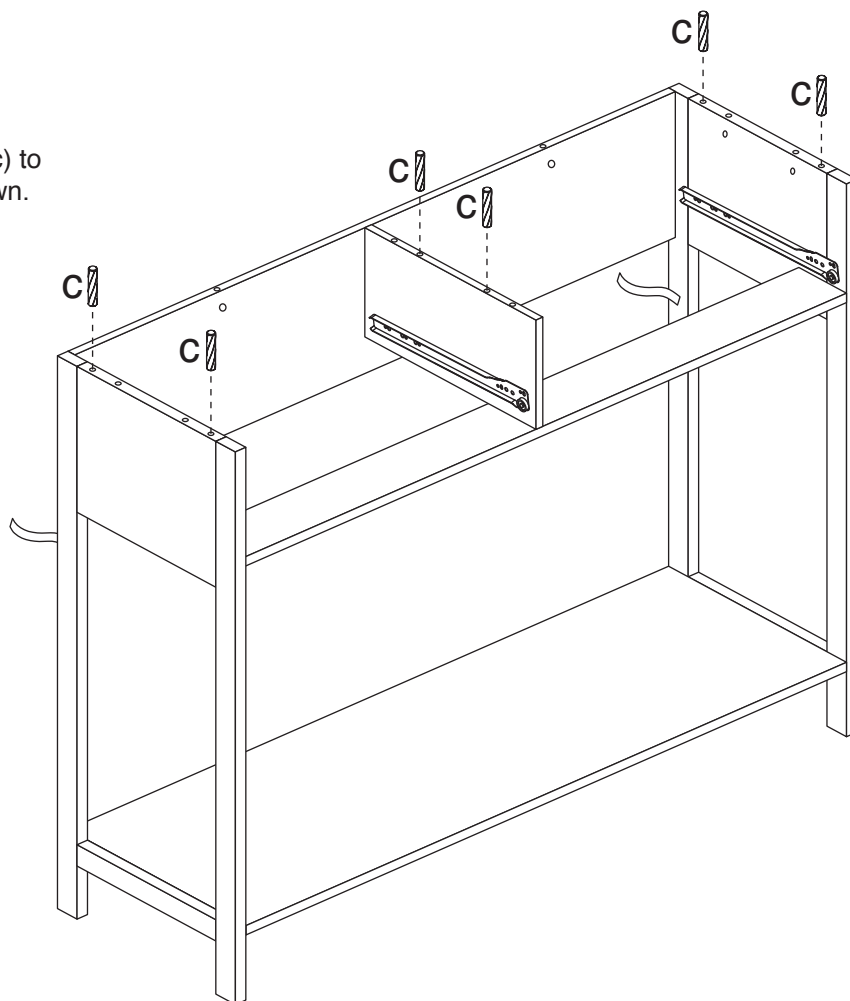
Fix part 15 using screws (e), as shown.



## ASSEMBLY STEPS

### STEP 13.

Insert wooden dowels (c) to assembled unit, as shown.

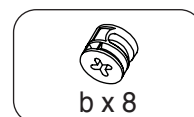
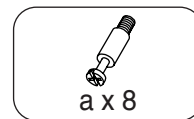
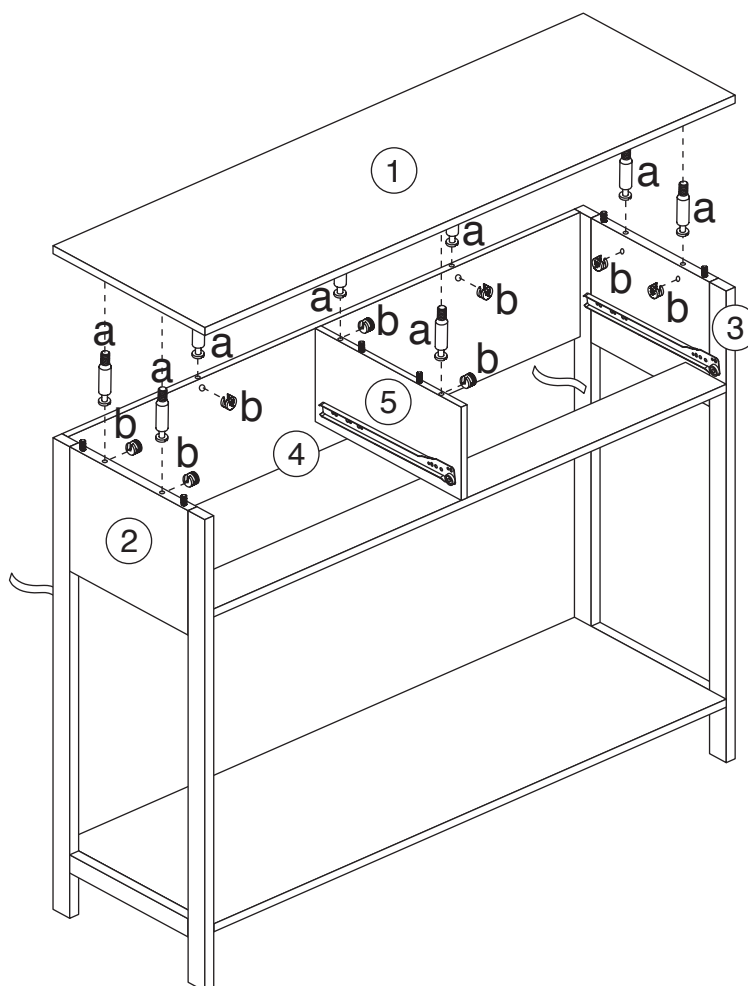


### STEP 14.

Insert cam locks (b) to parts 2, 3, 4 and 5, as shown.

Fix quickfit screws (a) to part 1.

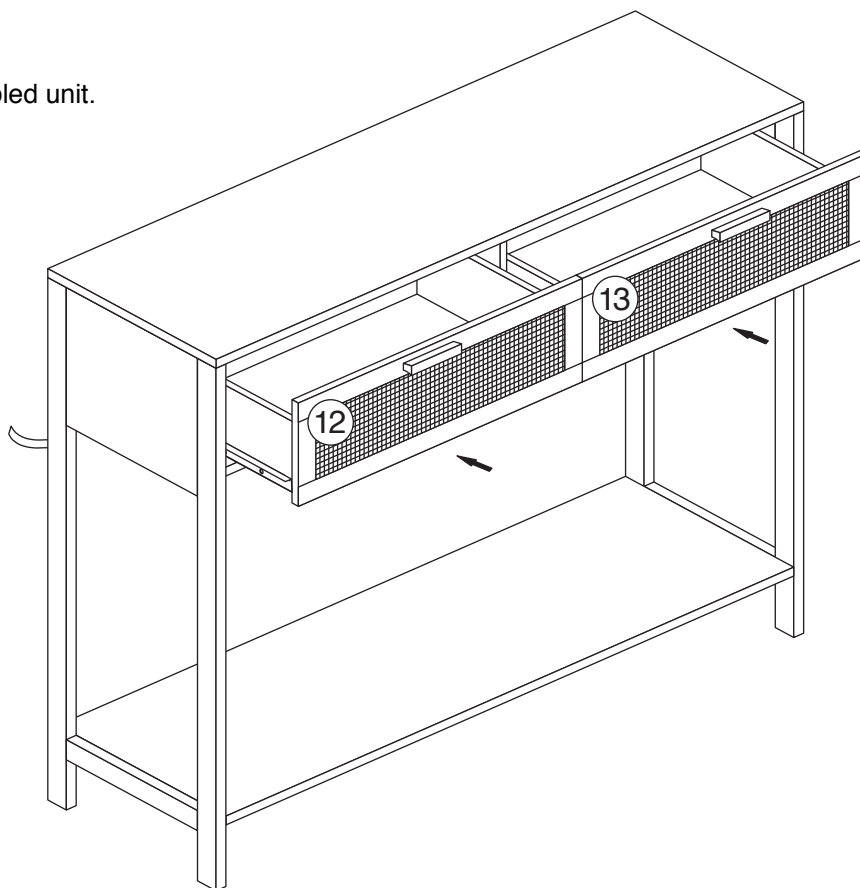
Fit part 1 to parts 2, 3, 4 and 5, turn cam locks clockwise to tighten.



## ASSEMBLY STEPS

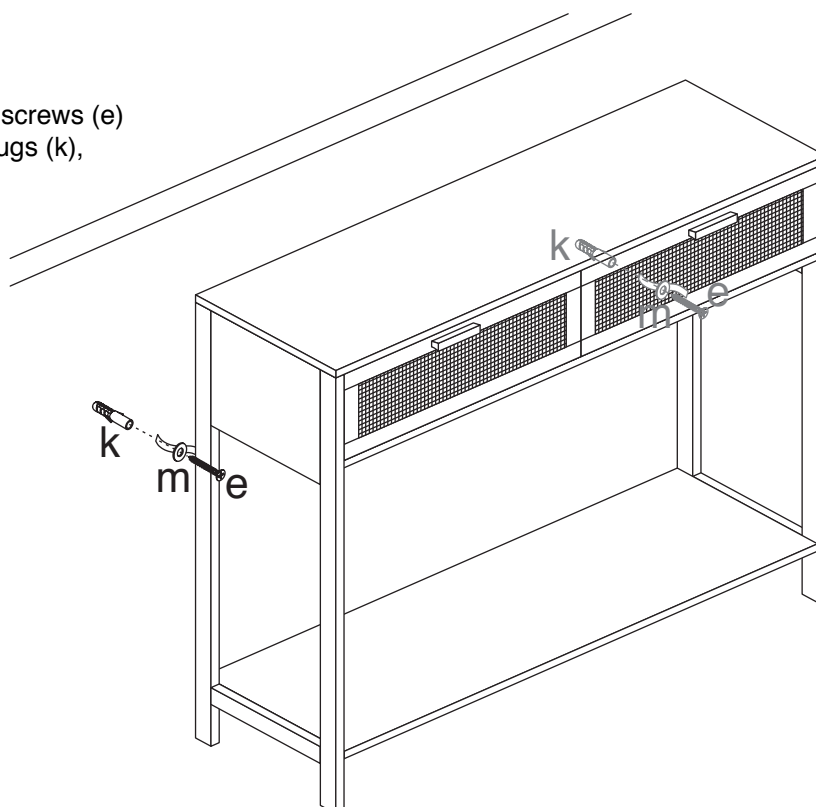
### STEP 15.

Fit drawers into assembled unit.

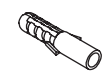


### STEP 16.

Fix assembled unit by using screws (e) and washers (m) into wall plugs (k), as shown.



e x 2



k x 2



m x 2