



# MANHATTAN COMFORT

888-230-2225

*help@manhattancomfort.com*

*319 Ridge Rd. Dayton, NJ 08810, New Jersey - United States*

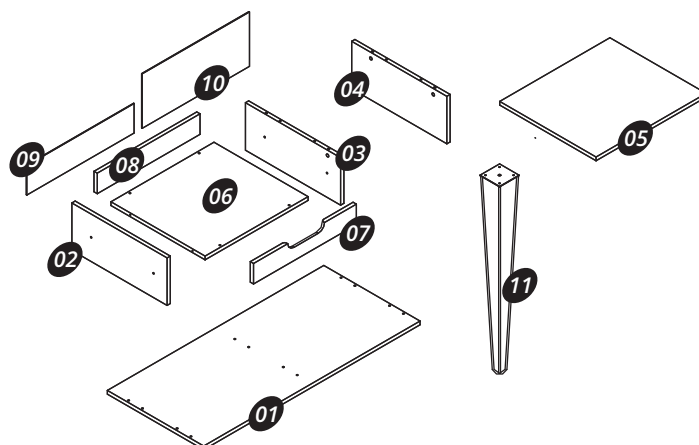


# ***Rockefeller***

**39.37" Entryway / Console**

# Included in the package

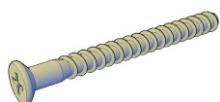
Part	Description	Qty	Box
01	Base	01	01
02	Left Lateral Panel	01	01
03	Partition Panel	01	01
04	Right Lateral Panel	01	01
05	Top Panel	01	01
06	Bottom Panel	01	01
07	Frontal	01	01
08	Rear	01	01
09	Smaller Rear Panel	01	01
10	Bigger Rear Panel	01	01
11	Feet	04	01



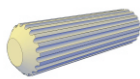
## Hardware



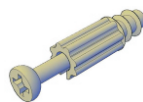
A = 16x



B = 14x



C = 10x



D = 04x



E = 04x



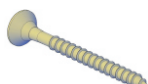
F = 02x



G = 25x



H = 2x



I = 01x



J = 01x



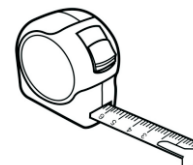
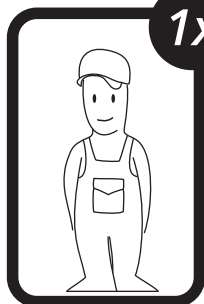
K = 01x

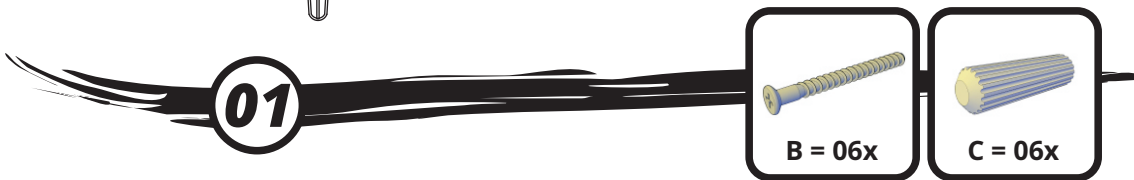
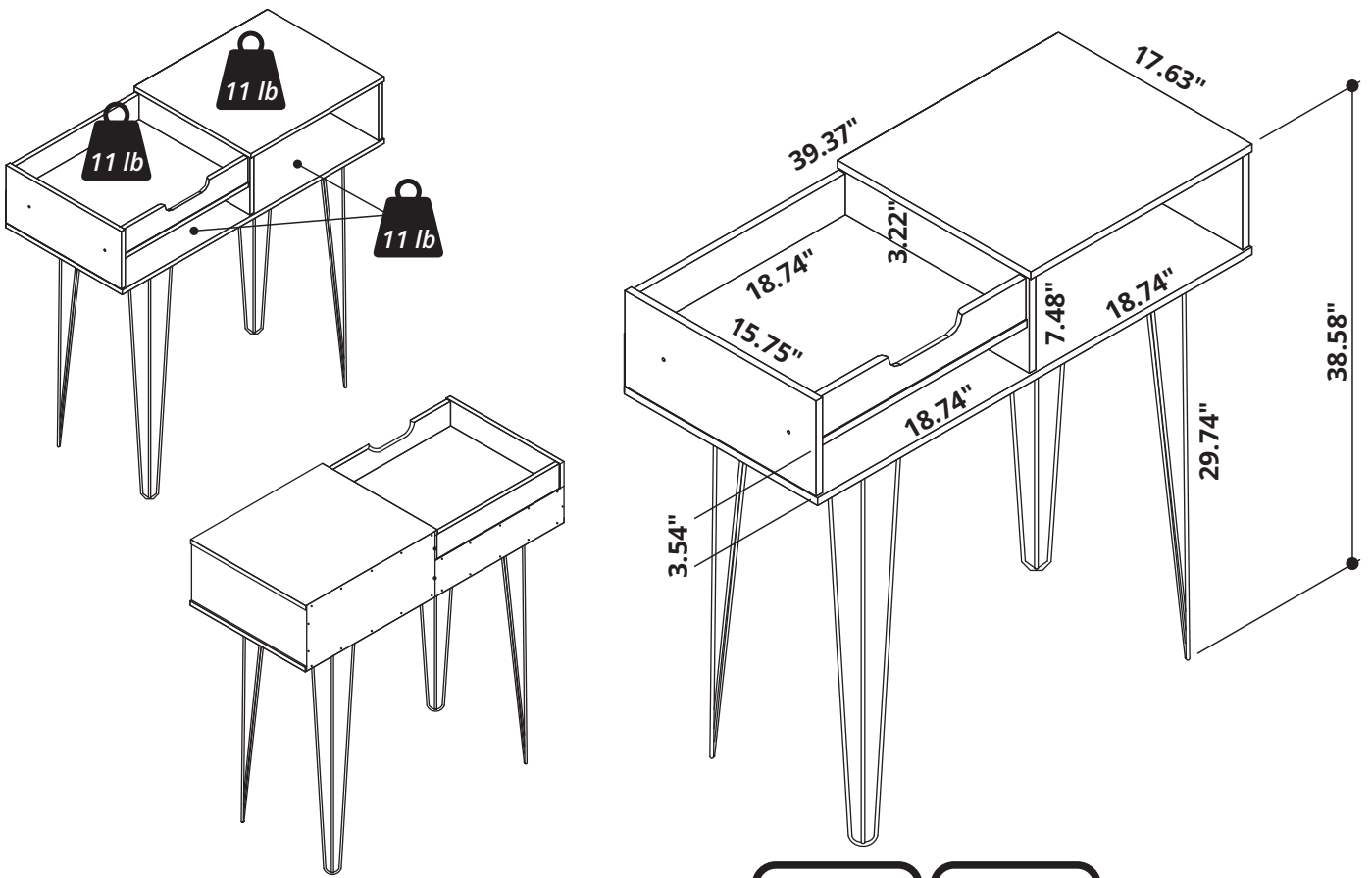


L = 04x

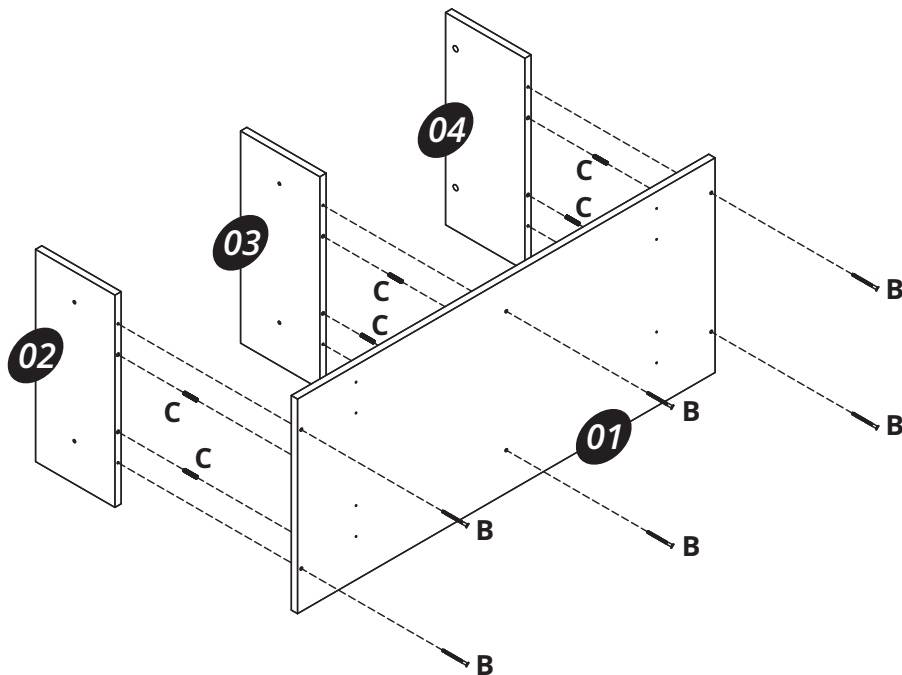
Tools needed (not included)

1x

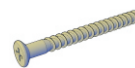




Connect the parts (02, 03, 04) onto the part (01) with the hardware (B + C).

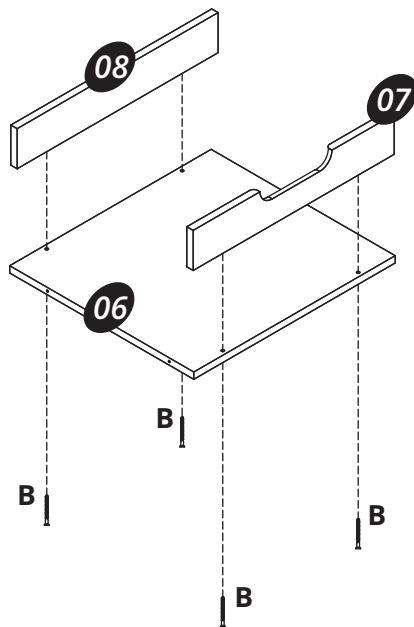


**02**

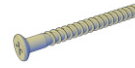


**B = 04x**

Connect the parts (07, 08) onto the part (06) using the hardware (B).

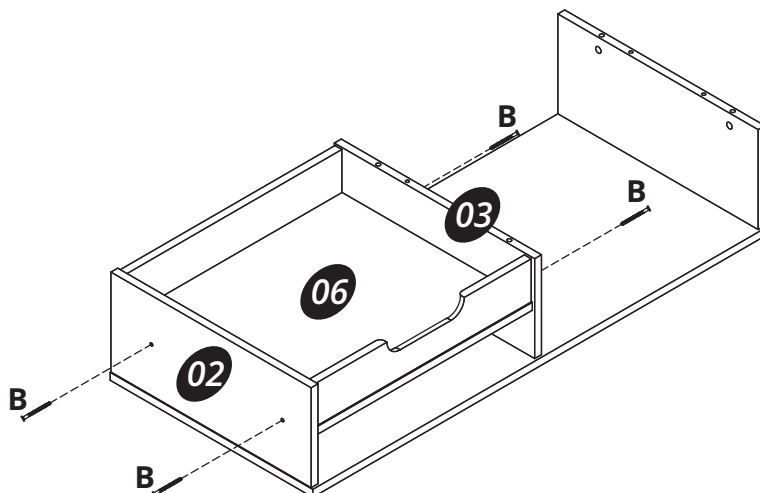


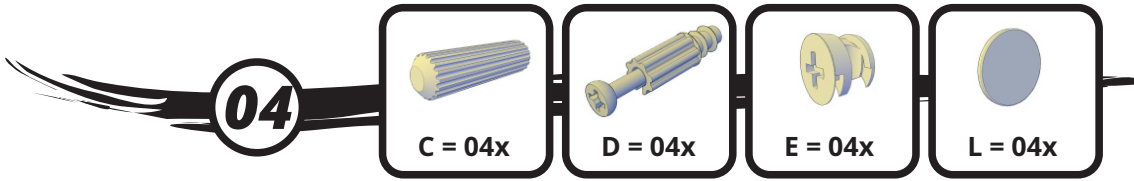
**03**



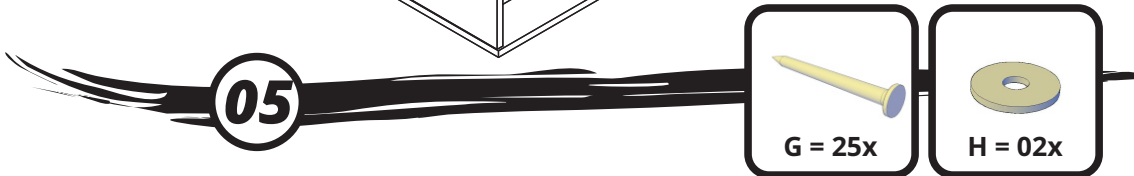
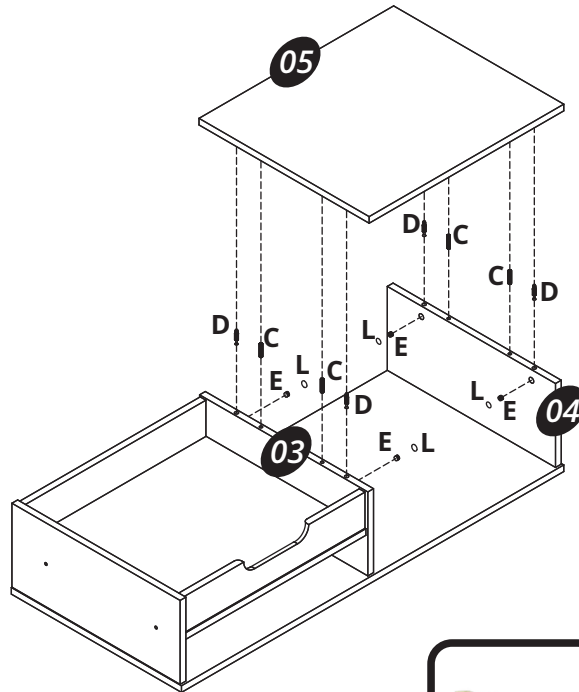
**B = 04x**

Connect the part (06) onto the parts (02, 03) using the hardware (B).

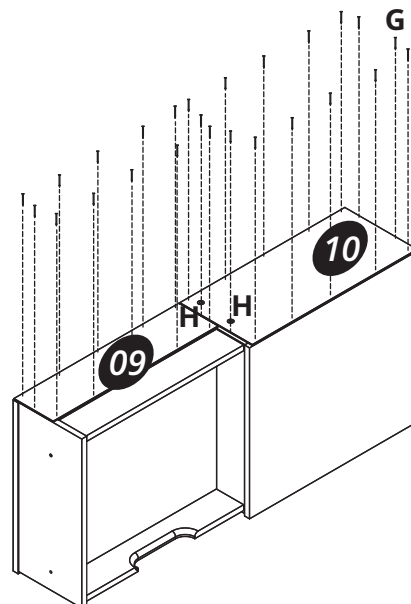
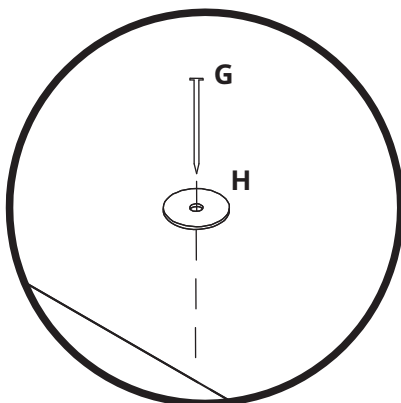




Connect the part (05) onto the parts (03, 04) with the hardware (C + D + E). Apply the hardware (L) on the hardware (E).



Connect the parts (09, 10) using the hardware (G + H).

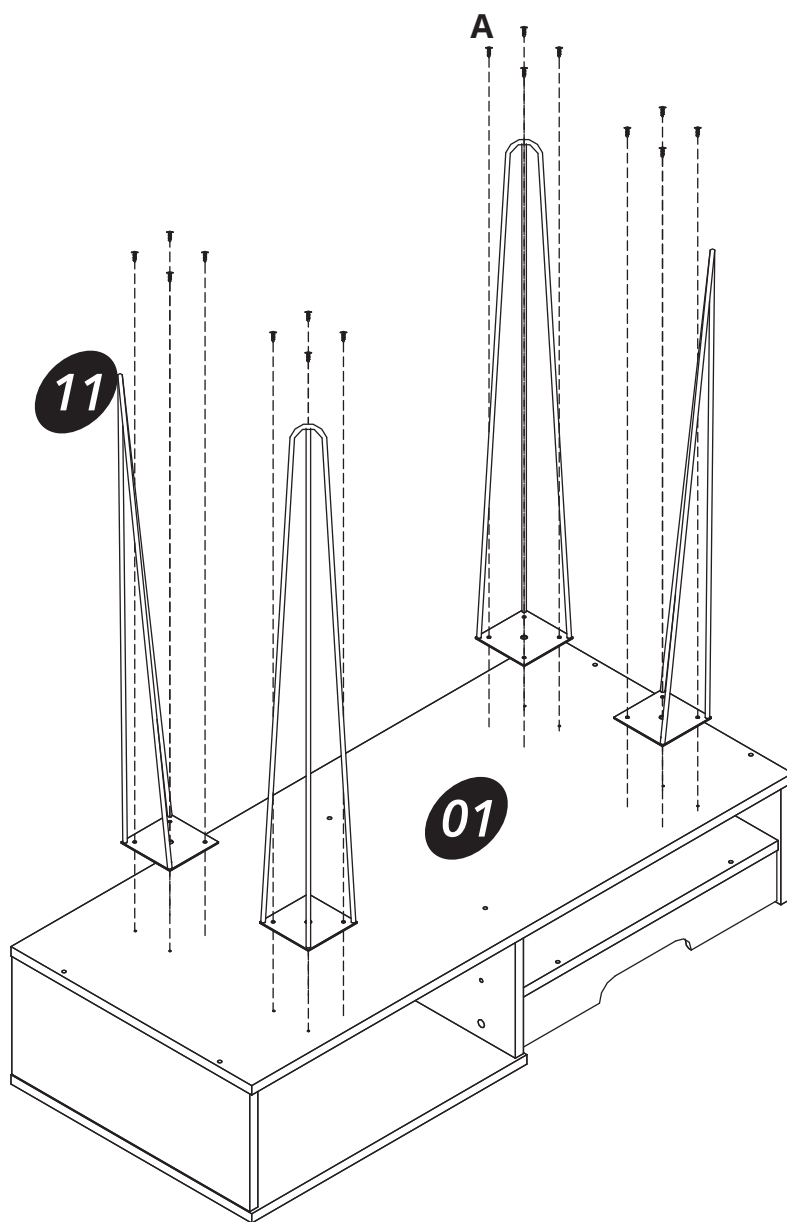


06

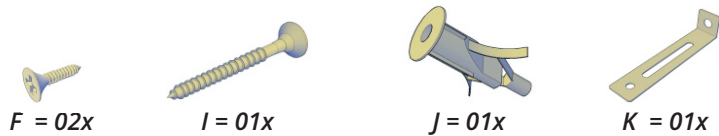


A = 16x

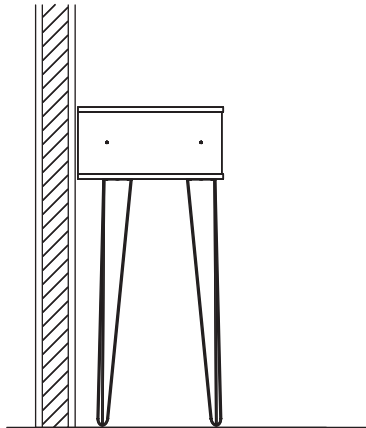
Connect the parts (11) onto the part (01) with the hardware (A).



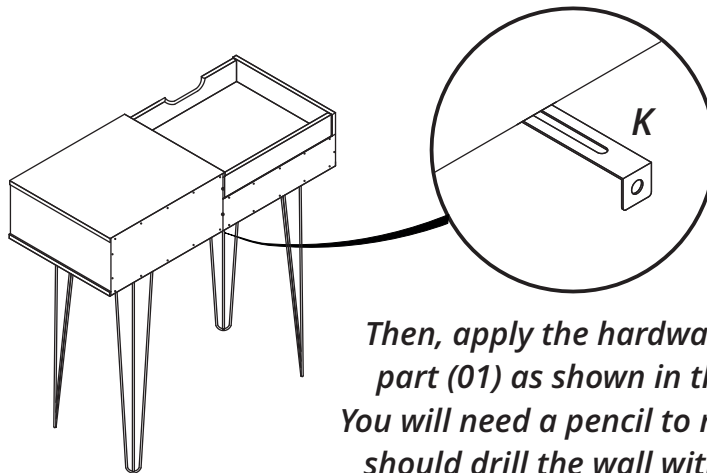
## Attention! Tipover System



wall

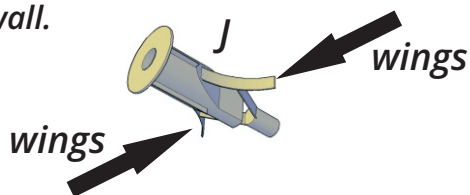


First, approach as close as possible to the wall

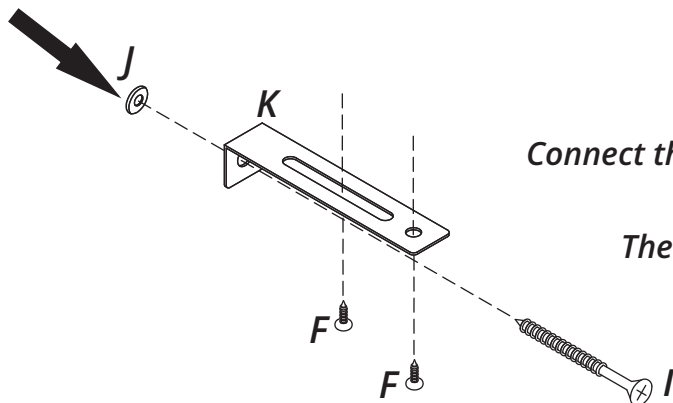


Then, apply the hardware (K) below the part (01) as shown in the figure above. You will need a pencil to mark where you should drill the wall with a 3/8" drill bit to put in the hardware (J).

\*press the hardware wings (J) to put in the hole that you drilled in the wall.



Hardware (J), plugged in the wall.



Connect the hardware (K) onto the wall with the hardware (I). Then fasten with the hardware (F) the hardware (K) on the part (01)