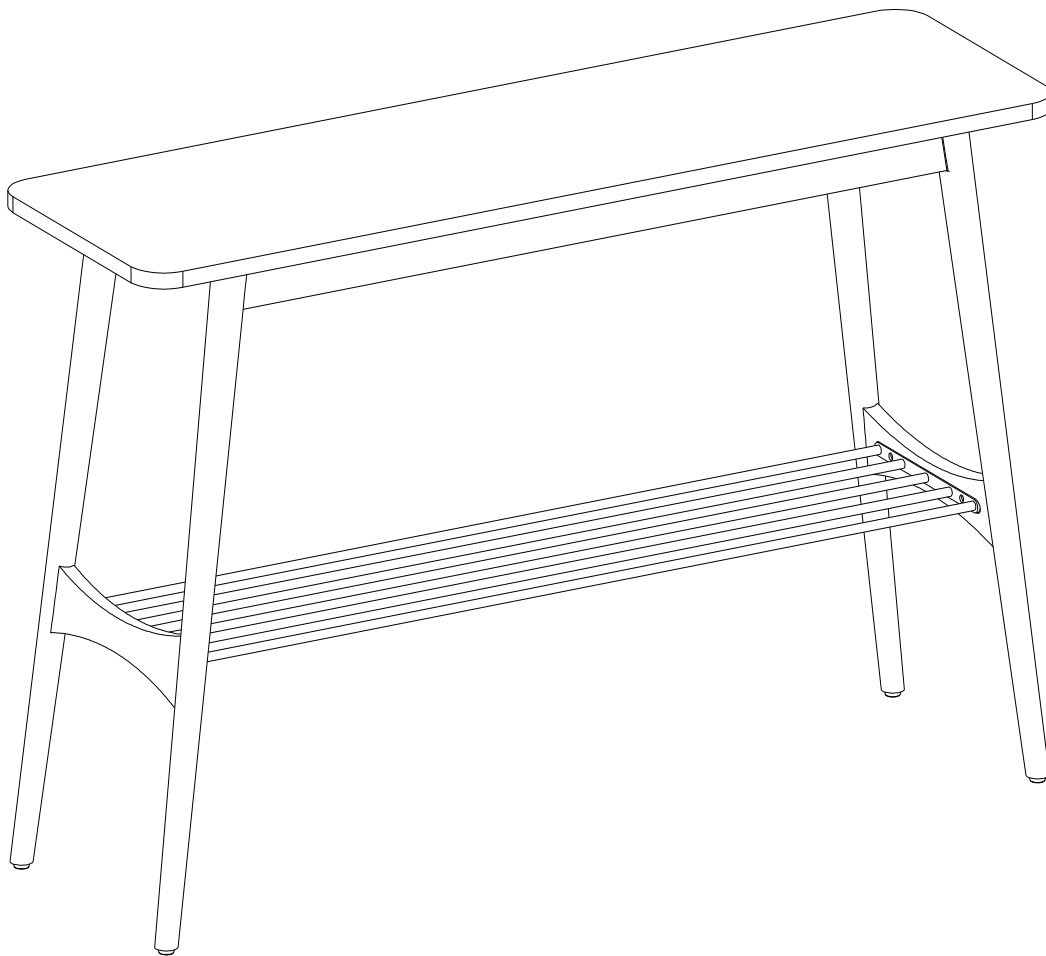


Item # : AF44JAMET

Assembly Instructions



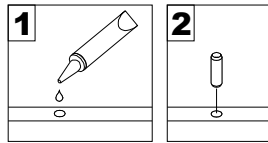
Walker Edison®

Please visit our website for the most current instructions, assembly tips, report damage, or request parts. www.walkeredison.com

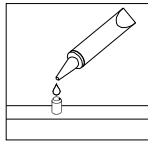
Revised 11/05/2020 (1)

General Assembly Guidelines

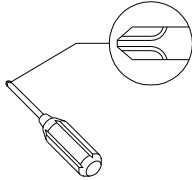
- I. Ensure that all parts and hardware are available before beginning assembly.
- II. Follow each step carefully to ensure the proper assembly of this product.
- III. Two people are recommended for ease in the assembly of this product.
- IV. The three main types of hardware used to assemble this product are : wood dowels , screws and bolts.
- V. The provided glue is to secure wood dowels in place . When first inserting dowels , locate the appropriate hole for the dowel , place a small amount of glue in the hole and insert the dowel . Wipe away excess glue immediately.



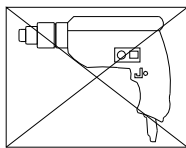
In future assembly steps when dowels are necessary to attach assembly parts together , place a small amount of glue on the end of the dowel before attaching parts together . Wipe away excess glue immediately.



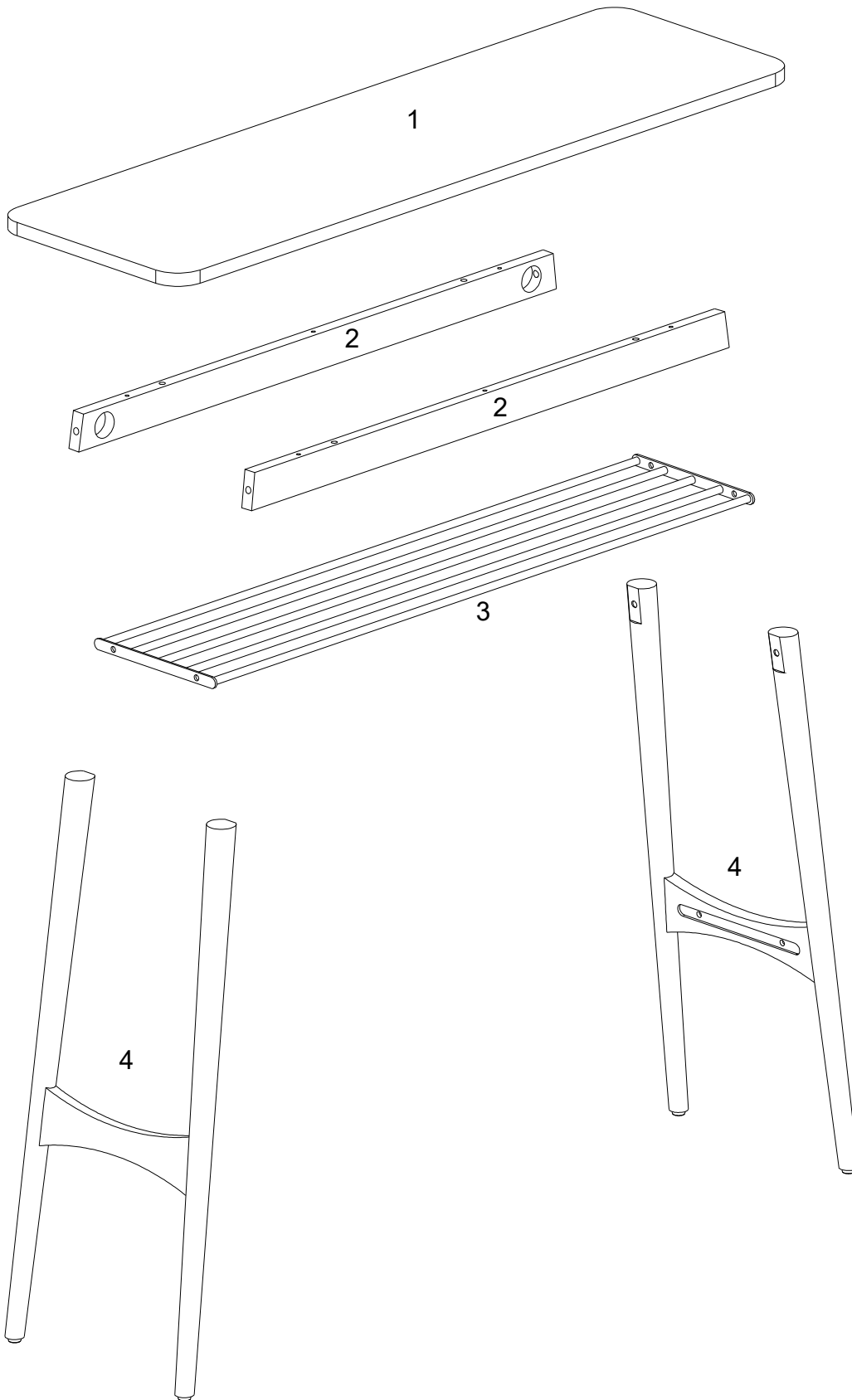
- VI. A Phillips head screwdriver is required for the assembly of this product .







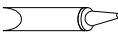








- VII. Power tools should not be used to assemble this product .

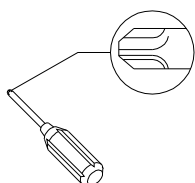


Parts List



Hardware List

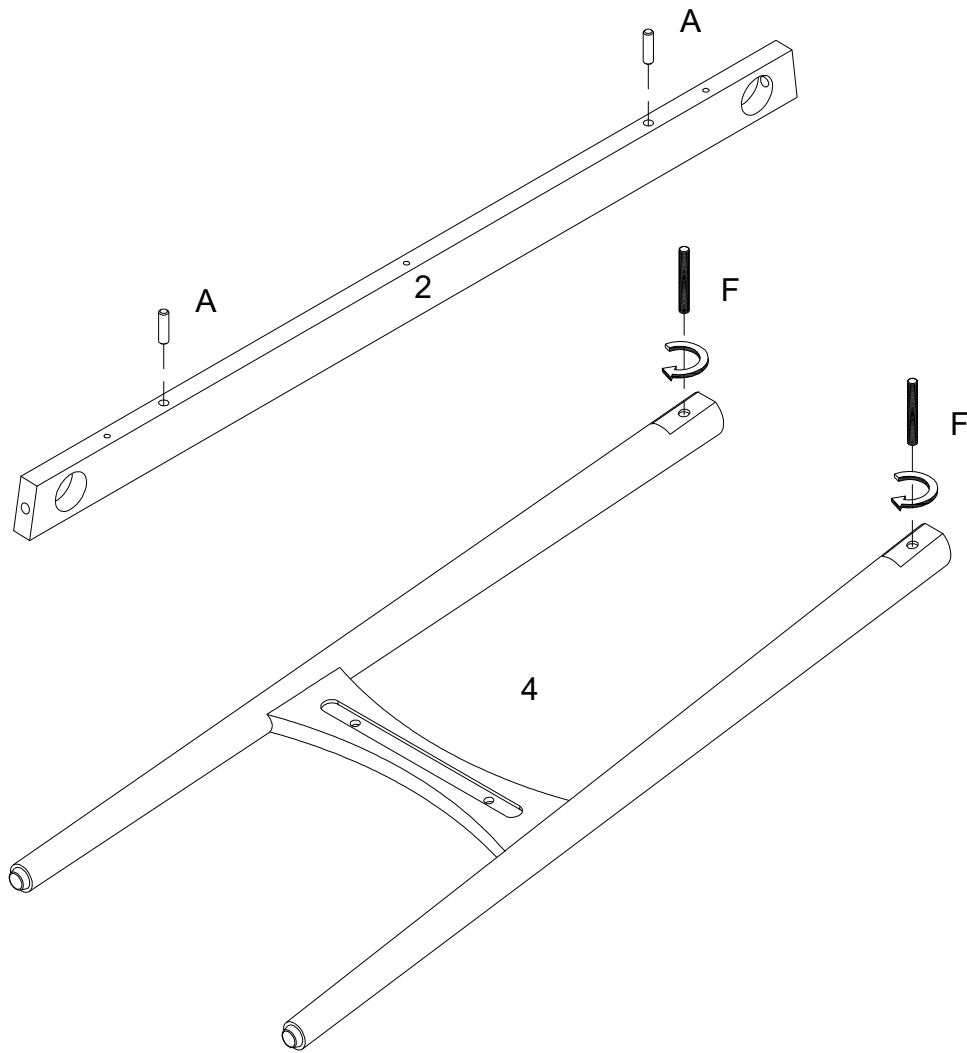
| | | | | | |
|---|-------------------------------------------------------------------------------------|---------|---------------|---|-----|
| A |  | Ø8x30mm | Wooden dowel | 4 | pcs |
| B |  | Ø4x38mm | Flat head | 6 | pcs |
| C |  | Ø6x15mm | Bolt | 4 | pcs |
| D |  | M 4 | Hex key | 1 | pc |
| E |  | | Glue tube | 1 | pc |
| F |  | Ø8x60mm | Bolt | 4 | pcs |
| G |  | Ø5/16 | Washer | 4 | pcs |
| H |  | Ø5/16 | Nut | 4 | pcs |
| J |  | Ø5/16 | Wrench | 1 | pc |
| K |  | Ø4x12mm | Screw | 1 | pc |
| L |  | Ø4x25mm | Screw | 1 | pc |
| M |  | | Plastic strap | 1 | pc |
| N |  | | Nut | 1 | pc |



Philips head screwdriver required for assembly
(not included)

*The hardware quantities listed above are required for proper assembly.
Some extra hardware may also have been included.*

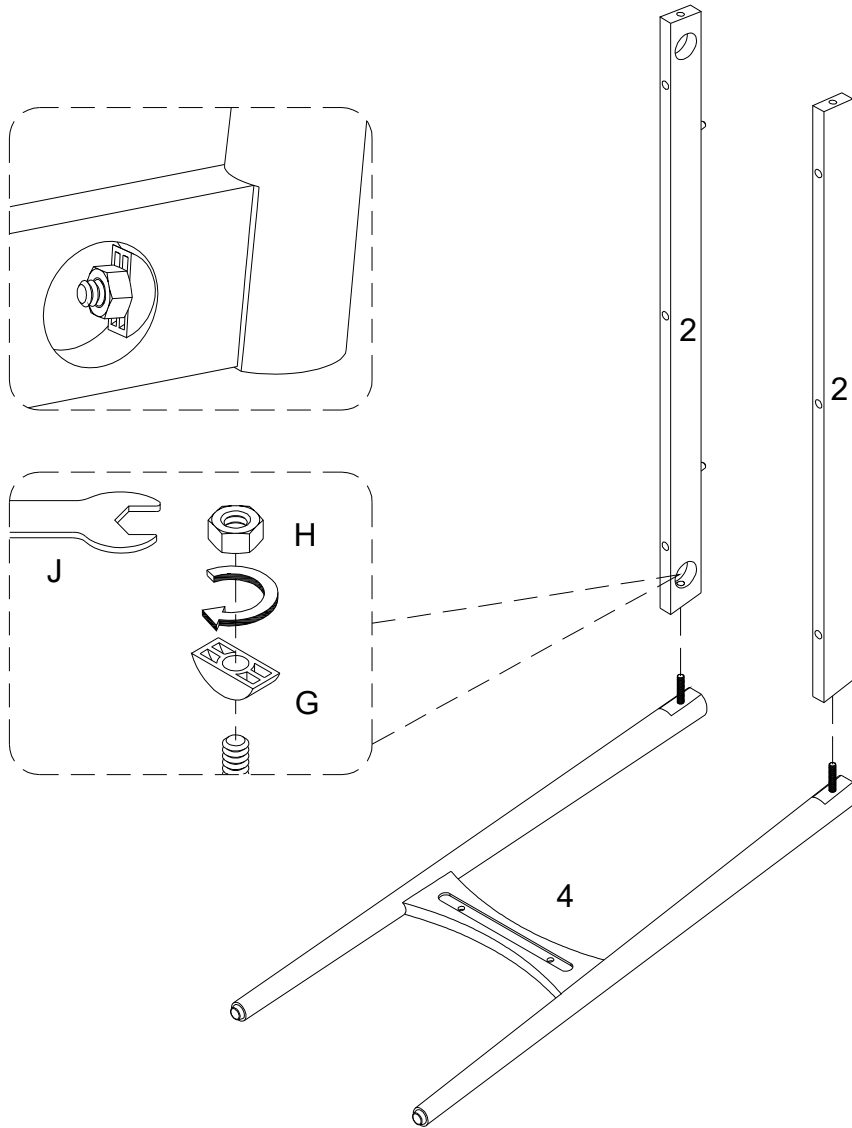
Step 1



2 x

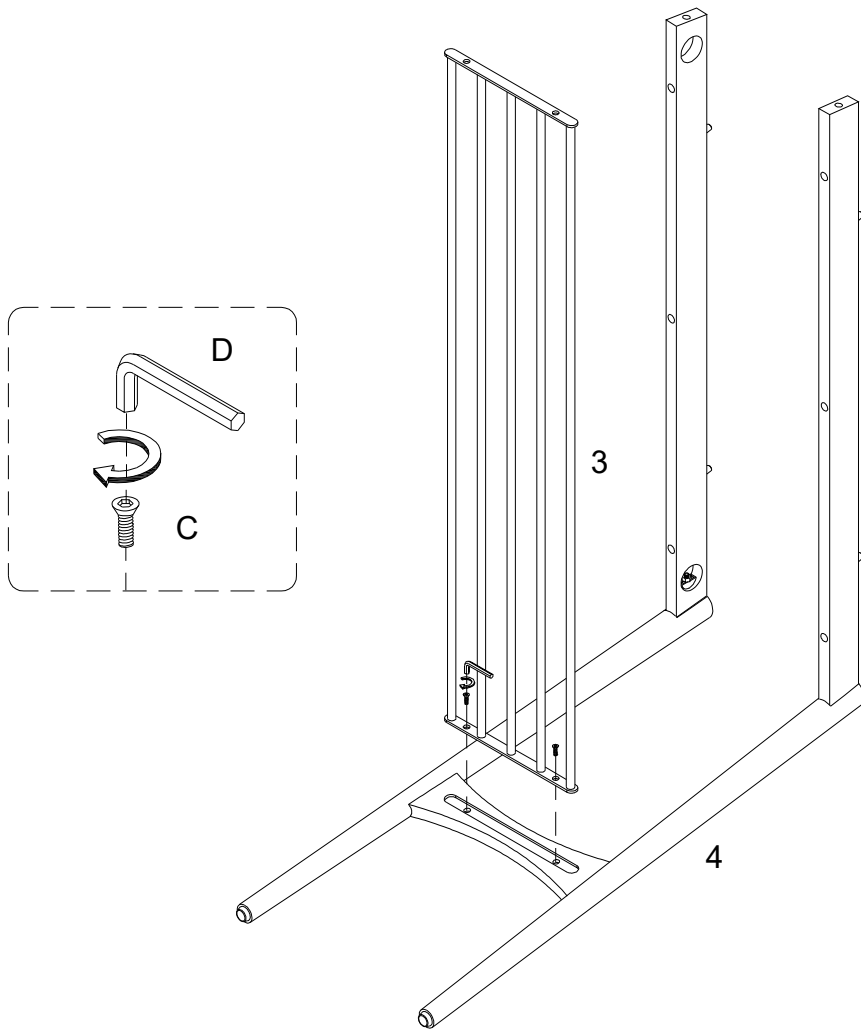
Insert wooden dowel (A) into part (2) and secure bolt (F) into part (4) as per diagram.

Step 2



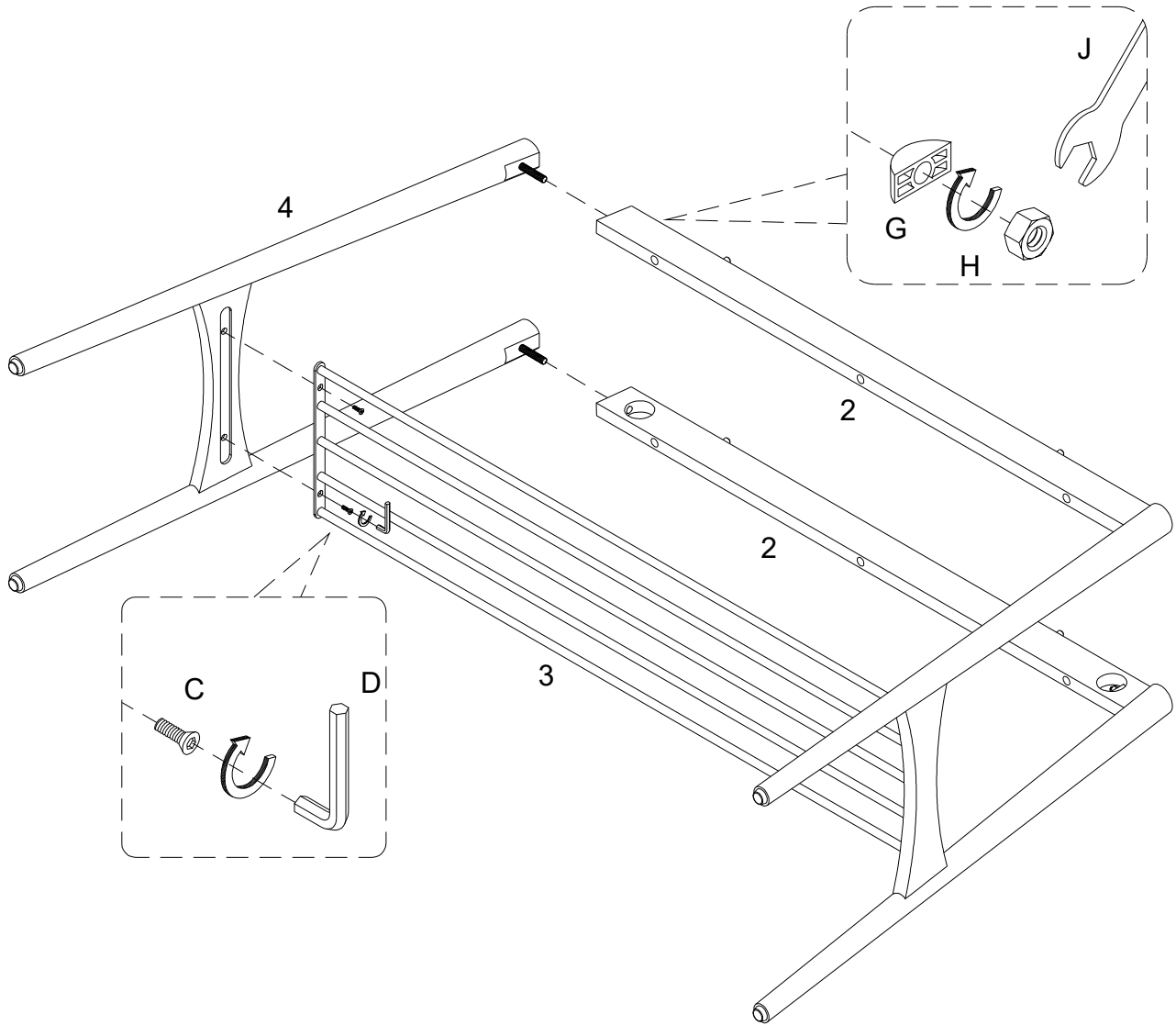
Using washer (G) and Nut (H) secure part (2) into part (4) with Wrench (J) as per diagram.

Step 3



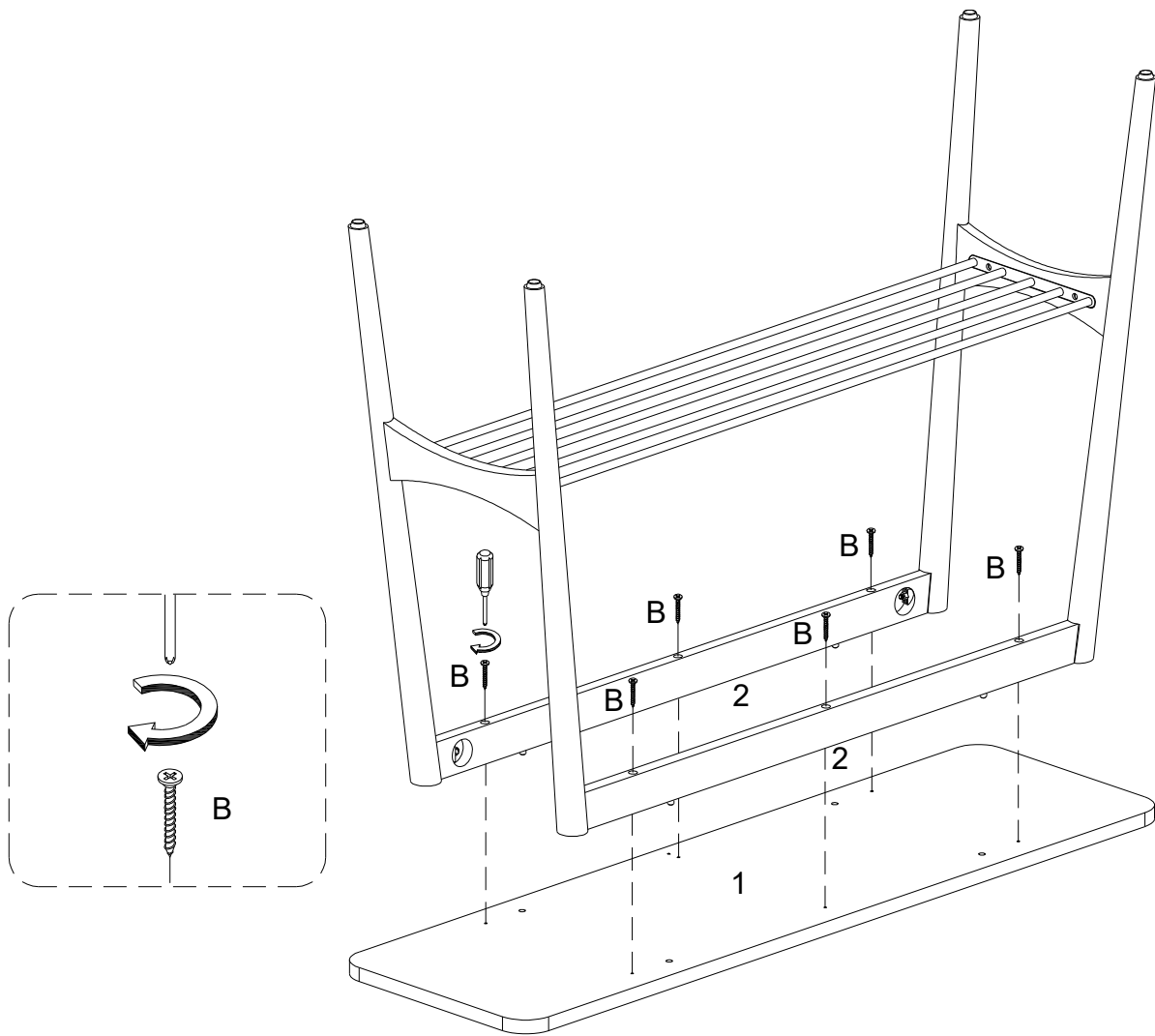
Using bolt (C) attach part (3) to part (4) with Hex key (D) as per diagram.
Note: Do not fully tighten all bolts.

Step 4



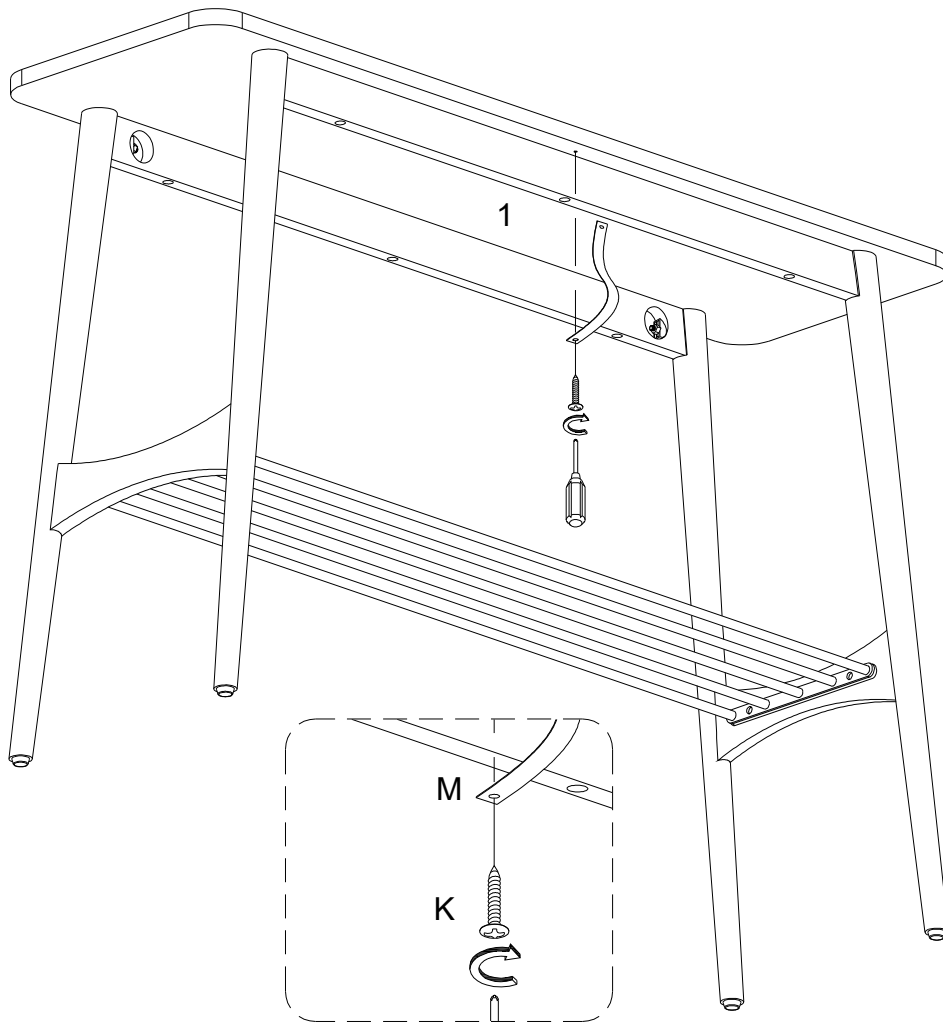
Using washer (G) and Nut (H) secure part (2) into part (4) with Wrench (J) ,then using bolt (C) attach part (3) to part (4) with Hex key (D) as per diagram.

Step 5



Using Flat head screw(B) secure part (2) to part (1) with Philips head screwdriver as per diagram.
Note: Fully tighten all bolts.

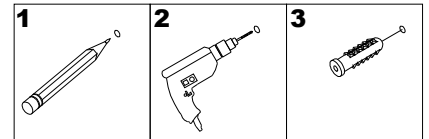
Step 6



Using screw (K) attach Velcro strap (M) into part (1) with Philips head screwdriver as per diagram.

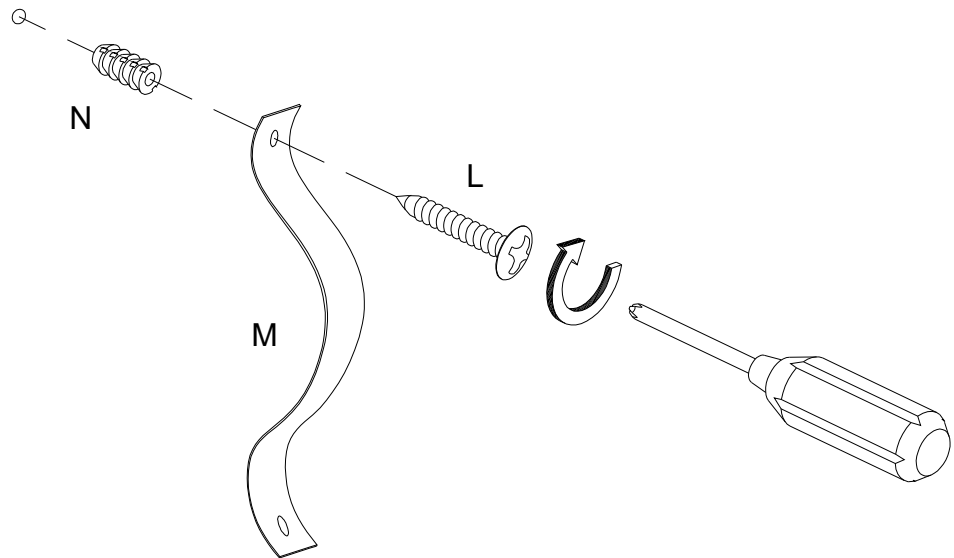
Step 7

WARNING



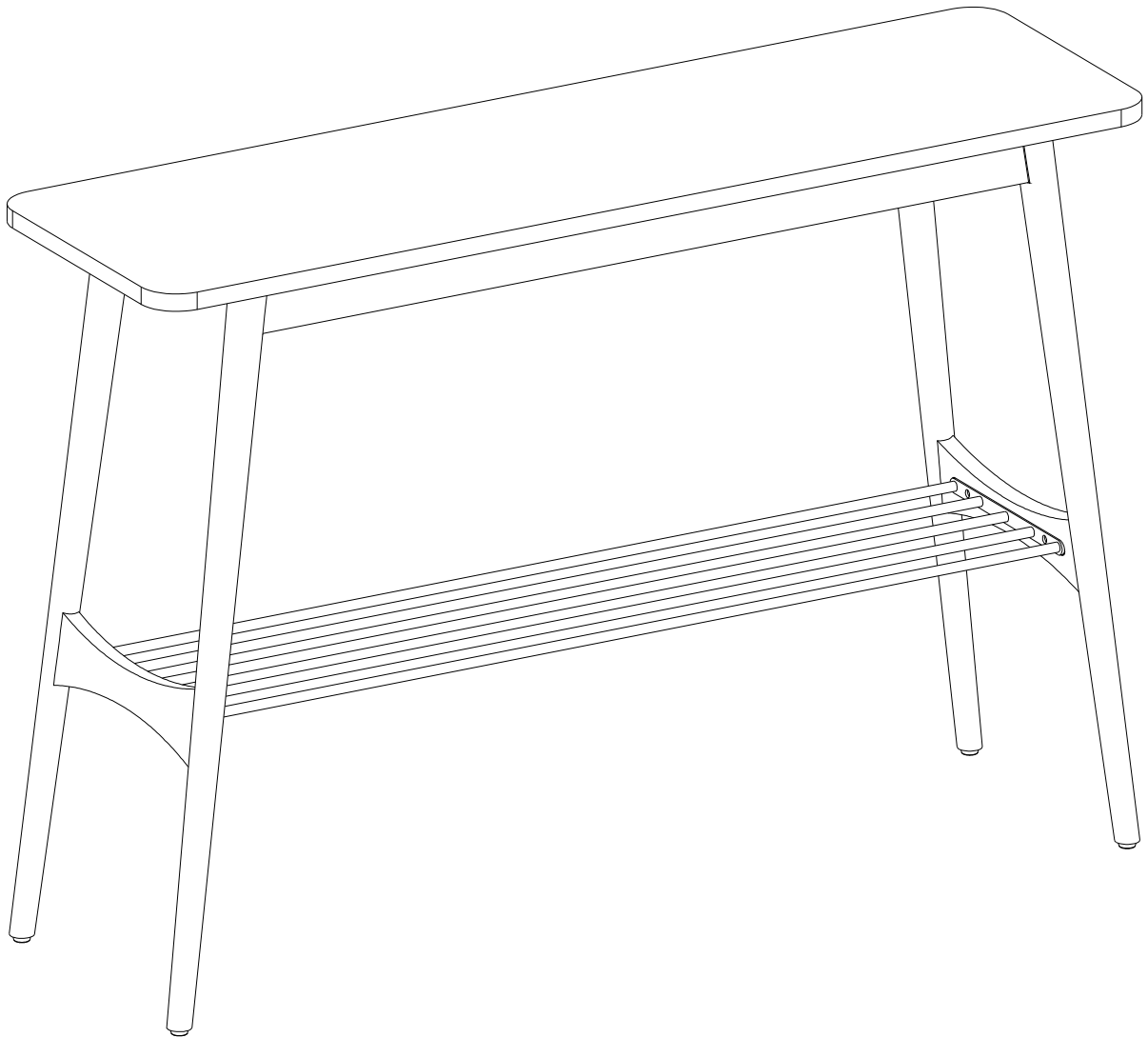
Serious or fatal injuries can occur from furniture tipping over. To prevent the furniture from tipping over we recommend that it is permanently fixed to the wall. Wall anchor and hardware are included with this product. Please make sure hardware is suitable for your walls before installing, as different wall materials may require different types of anchors.

Wall



Using screw (L) attach Velcro strap (M) into Nut (N) to wall with Philips head screwdriver as per diagram.

Step 8



Final Assembly