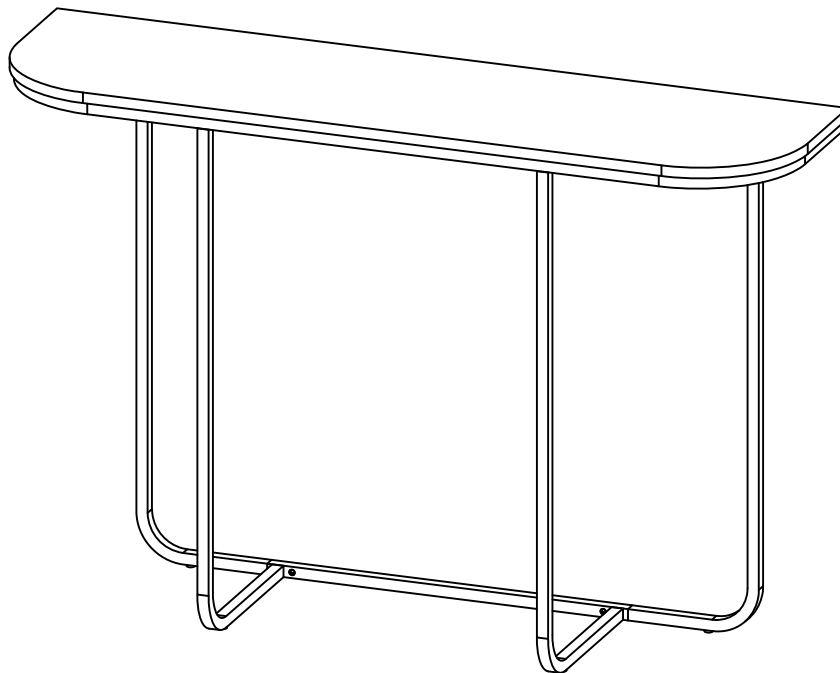


Item # : AF44HARET

Assembly Instructions



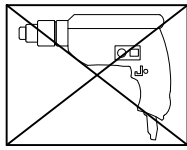
Walker Edison®

Please visit our website for the most current instructions, assembly tips, report damage, or request parts. www.walkeredison.com

Revised 15/04/2019

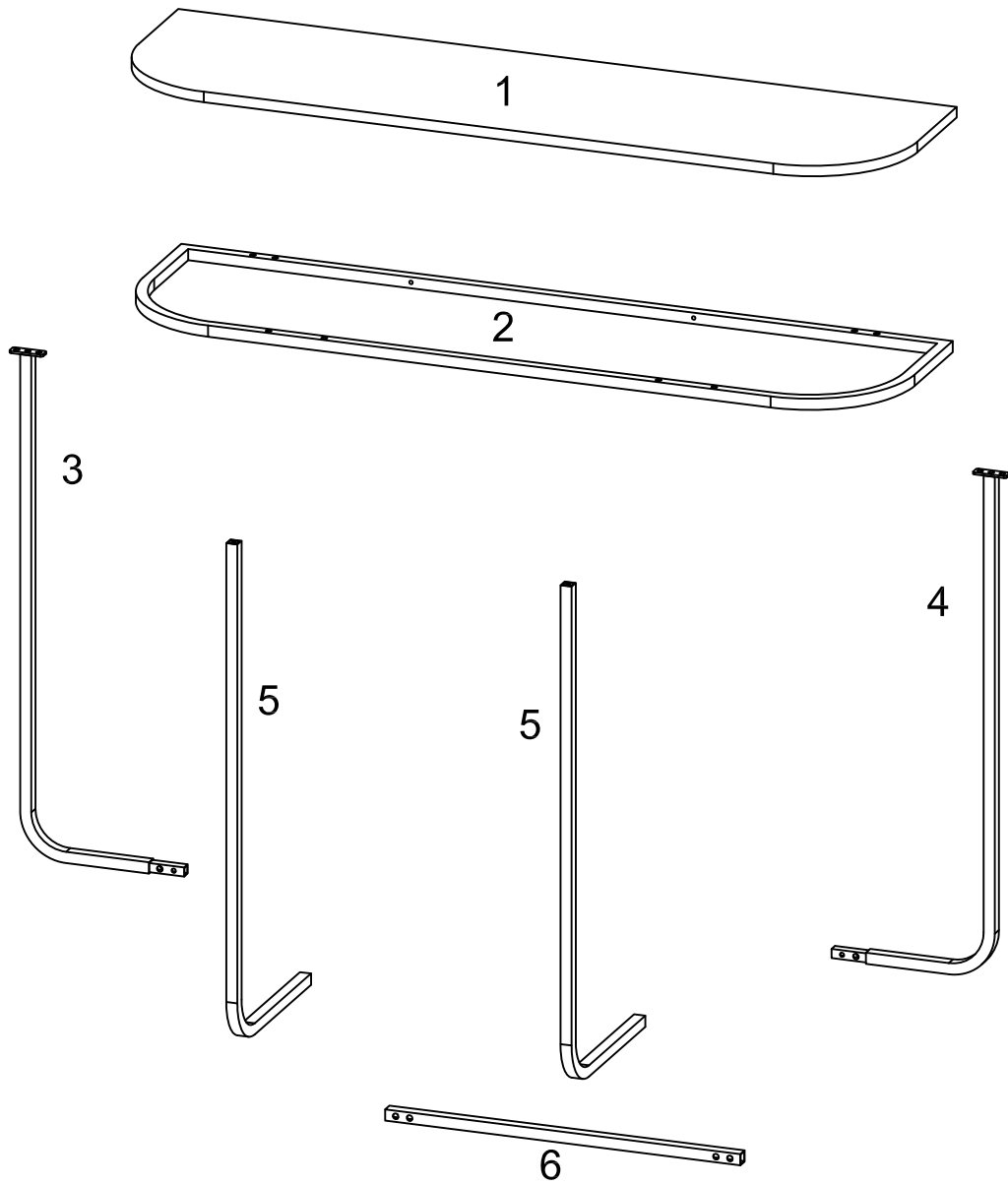
General Assembly Guidelines

- I. Ensure that all parts and hardware are available before beginning assembly.
- II. Follow each step carefully to ensure the proper assembly of this product.
- III. Two people are recommended for ease in the assembly of this product.
- IV. The main type of hardware used to assemble this product are: bolts and screws.
- V. Power tools should not be used to assemble this product.





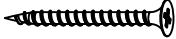



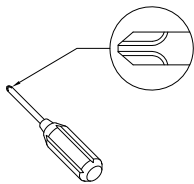
- VI. Drill may be needed for securing product to wall.

Parts List



Hardware List

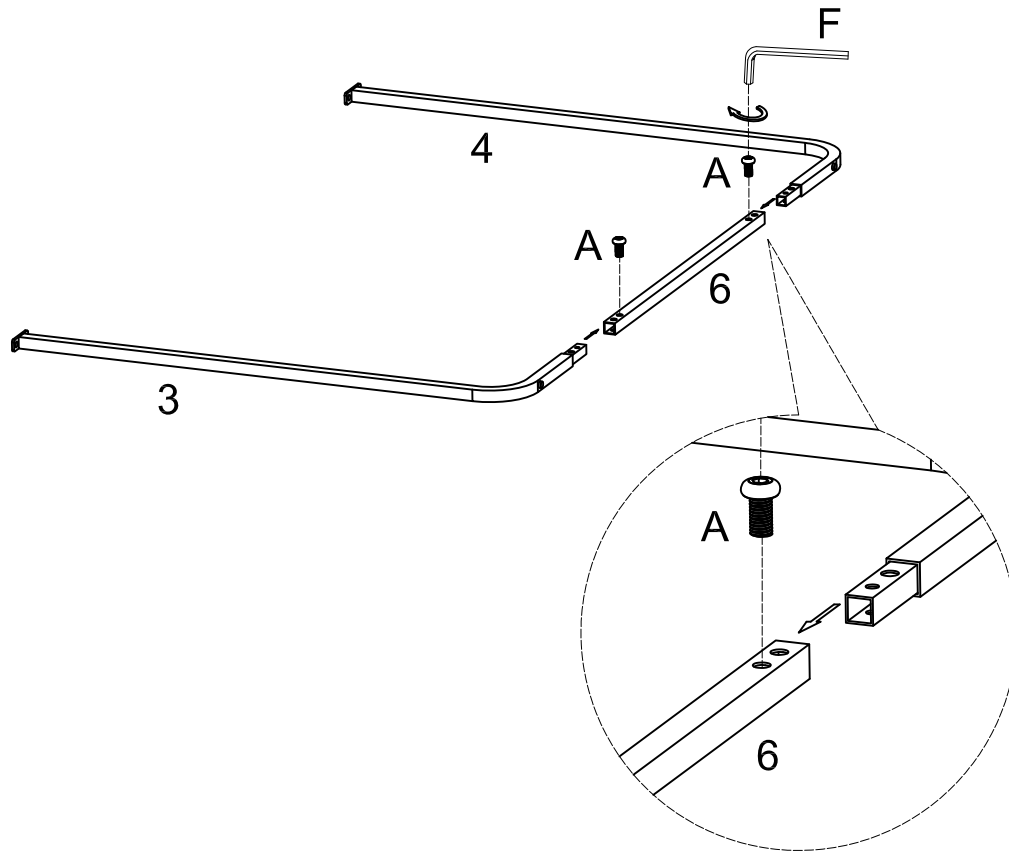
A		Ø6x12mm	Bolt	2 pcs
B		Ø6x25mm	Bolt	4 pcs
C		Ø6x28mm	Bolt	6 pcs
D				2 pcs
E		Ø4x38mm	Screw	2 pcs
F		M4	Hex key	1 pc



Philips head screwdriver required for assembly
(not included)

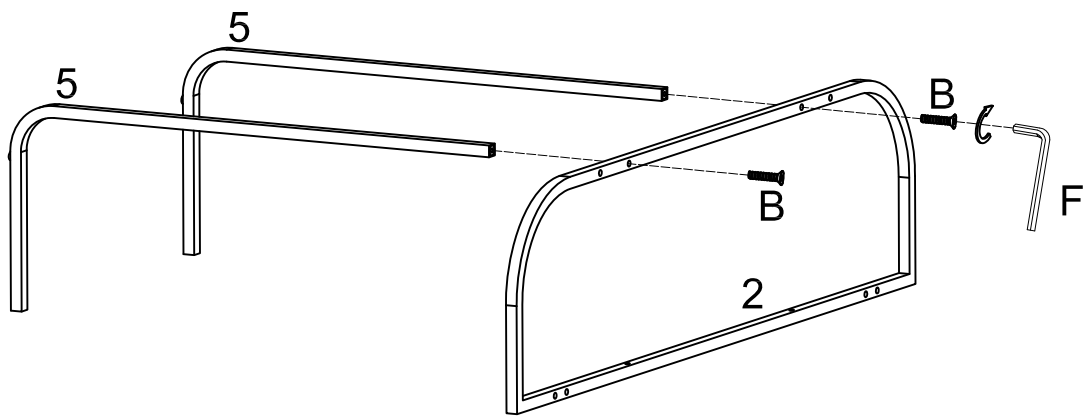
*The hardware quantities listed above are required for proper assembly.
Some extra hardware may also have been included.*

Step 1



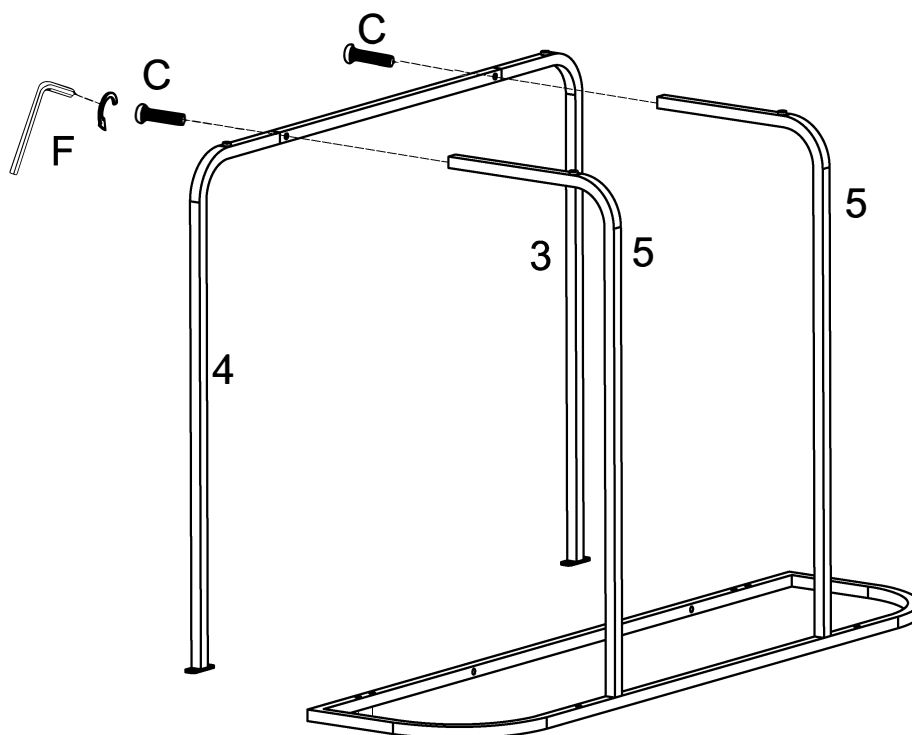
Using bolt (A) secure parts (6) to parts (3,4) with hex key (F) as per diagram.

Step 2



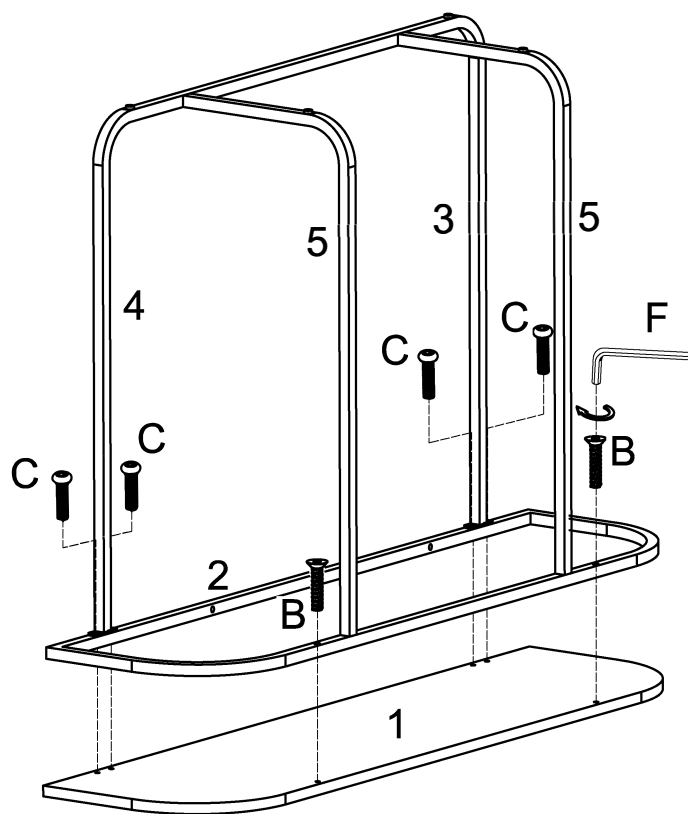
Using bolt (B) secure part (2) to parts (5) using hex key (F) as per diagram .

Step 3



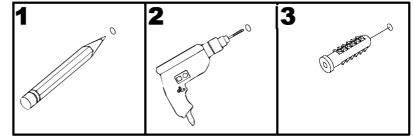
Using bolt (C) secure part (4) to parts (3,5) with hex key (F).

Step 4



Secure part (2) to part (1) using bolt (B,C) and hex key (F).

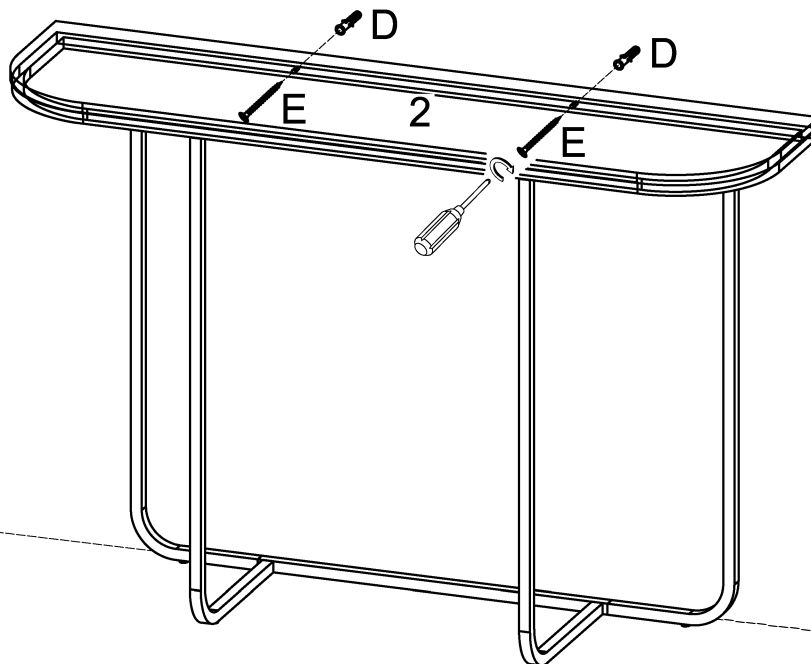
Step 5



WARNING

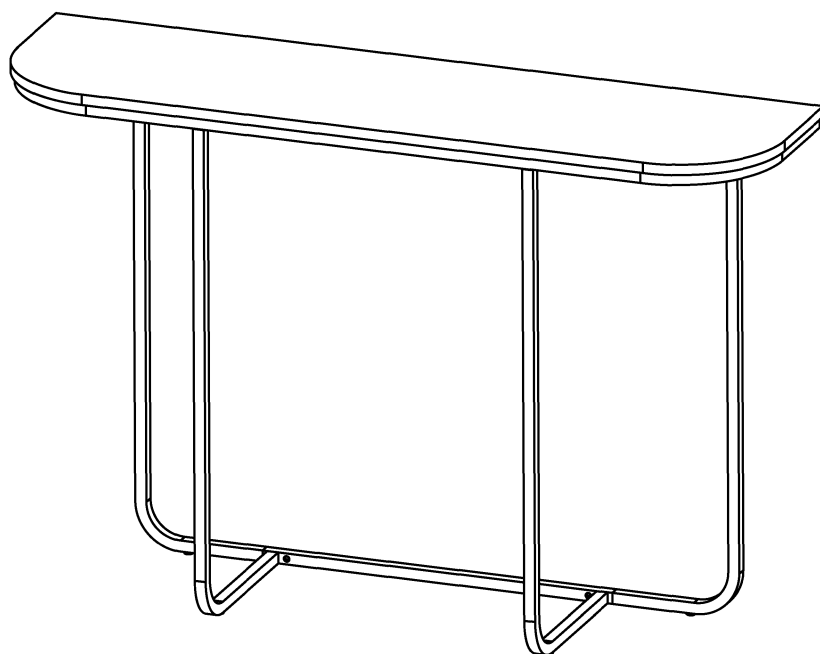
Serious or fatal injuries can occur from furniture tipping over. To prevent the furniture from tipping over we recommend that it is permanently fixed to the wall. Wall anchor and hardware are included with this product. Please make sure hardware is suitable for your walls before installing, as different wall materials may require different types of anchors.

Wall



Using screw (E) insert part (D) with Philips head screwdriver.

Step 6



Final Assembly