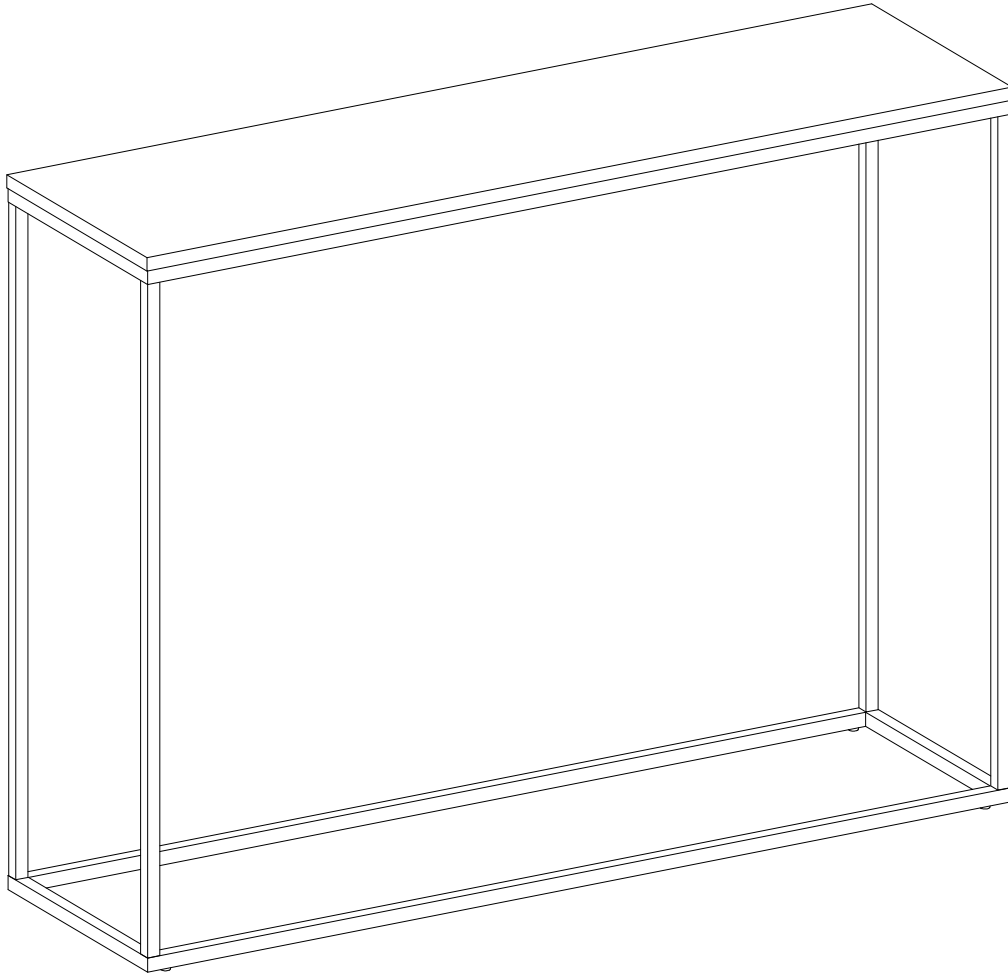


Item # : AF42LWET

Assembly Instructions



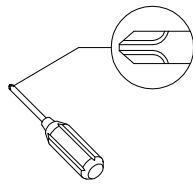
Walker Edison®

Please visit our website for the most current instructions, assembly tips, report damage, or request parts. www.walkeredison.com

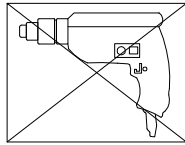
Revised 25/12/2019 (I)

General Assembly Guidelines

- I. Ensure that all parts and hardware are available before beginning assembly.
- II. Follow each step carefully to ensure the proper assembly of this product.
- III. Two people are recommended for ease in the assembly of this product.
- IV. The main type of hardware used to assemble this product are: bolts and screws.
- V. A Phillips head screwdriver is required for the assembly of this product .

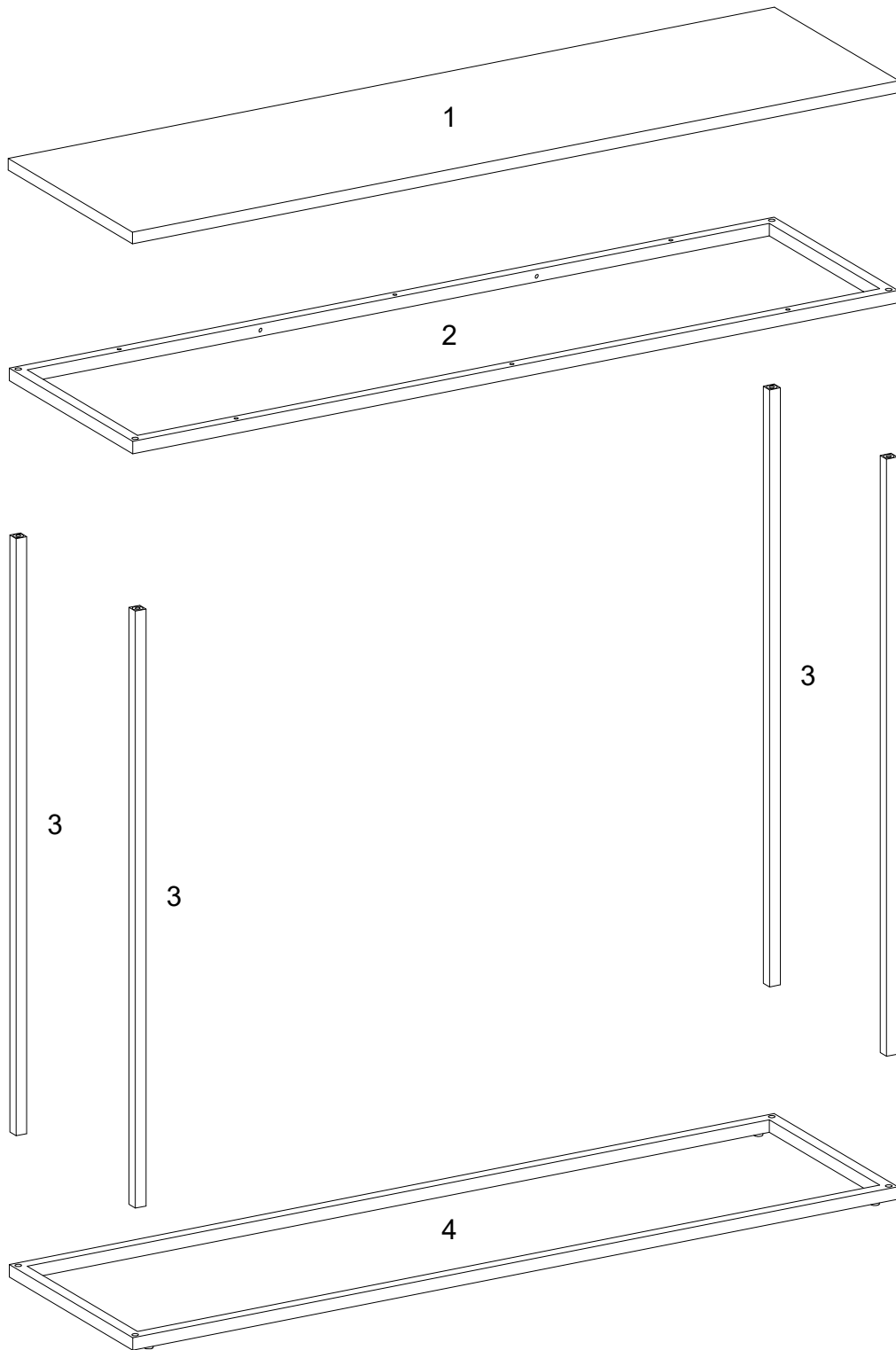


- VI. Power tools should not be used to assemble this product.




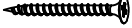



- VII. Drill may be needed for securing product to wall.

Parts List

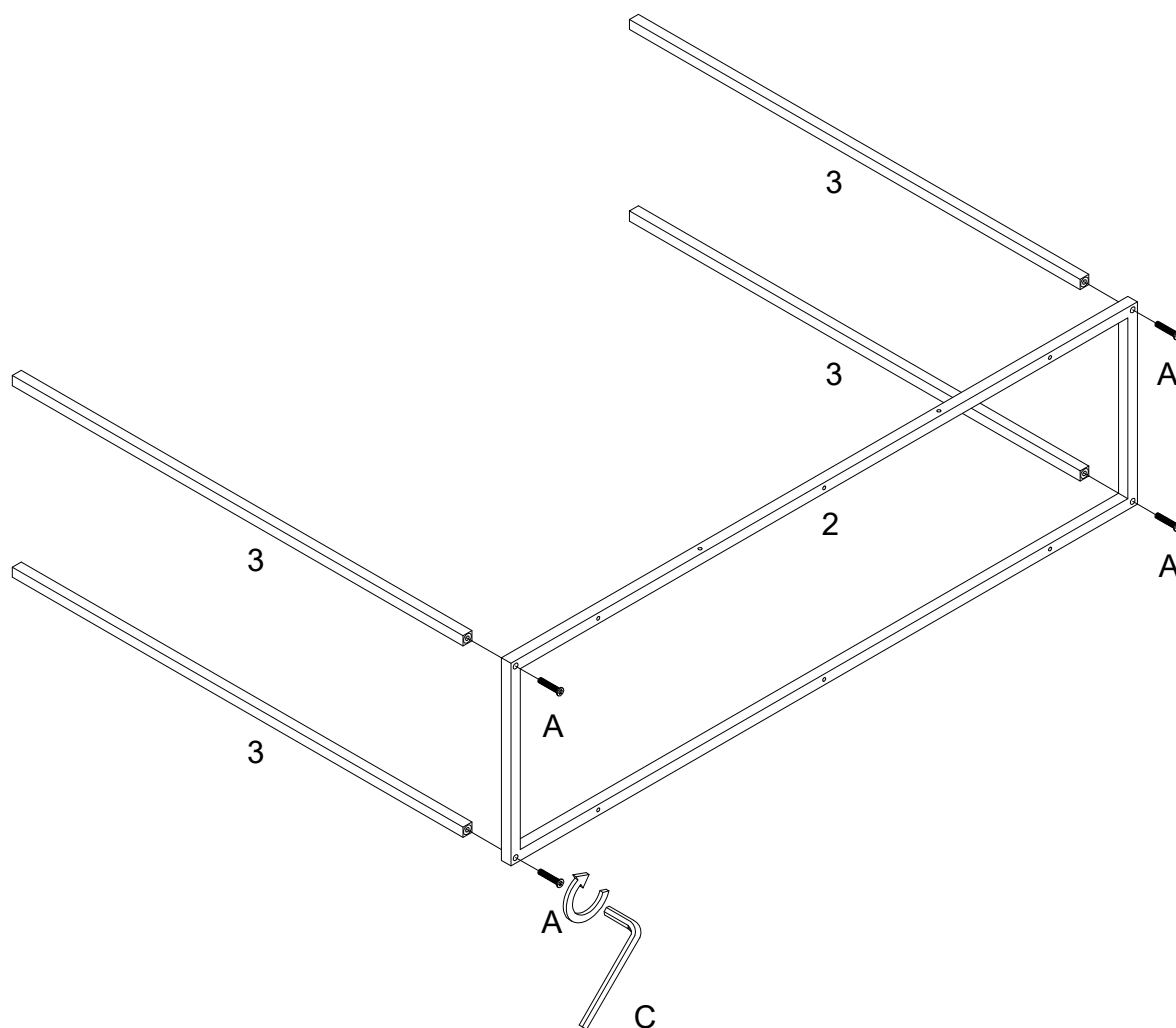


Hardware List

| | | | | | |
|---|---|---------|---------|---|-----|
| A |  | M6x27mm | Bolt | 8 | pcs |
| B |  | Ø4x27mm | Screw | 6 | pcs |
| C |  | M4 | Hex Key | 1 | pc |
| D |  | Ø4x38mm | Screw | 2 | pcs |
| E |  | | Nut | 2 | pcs |

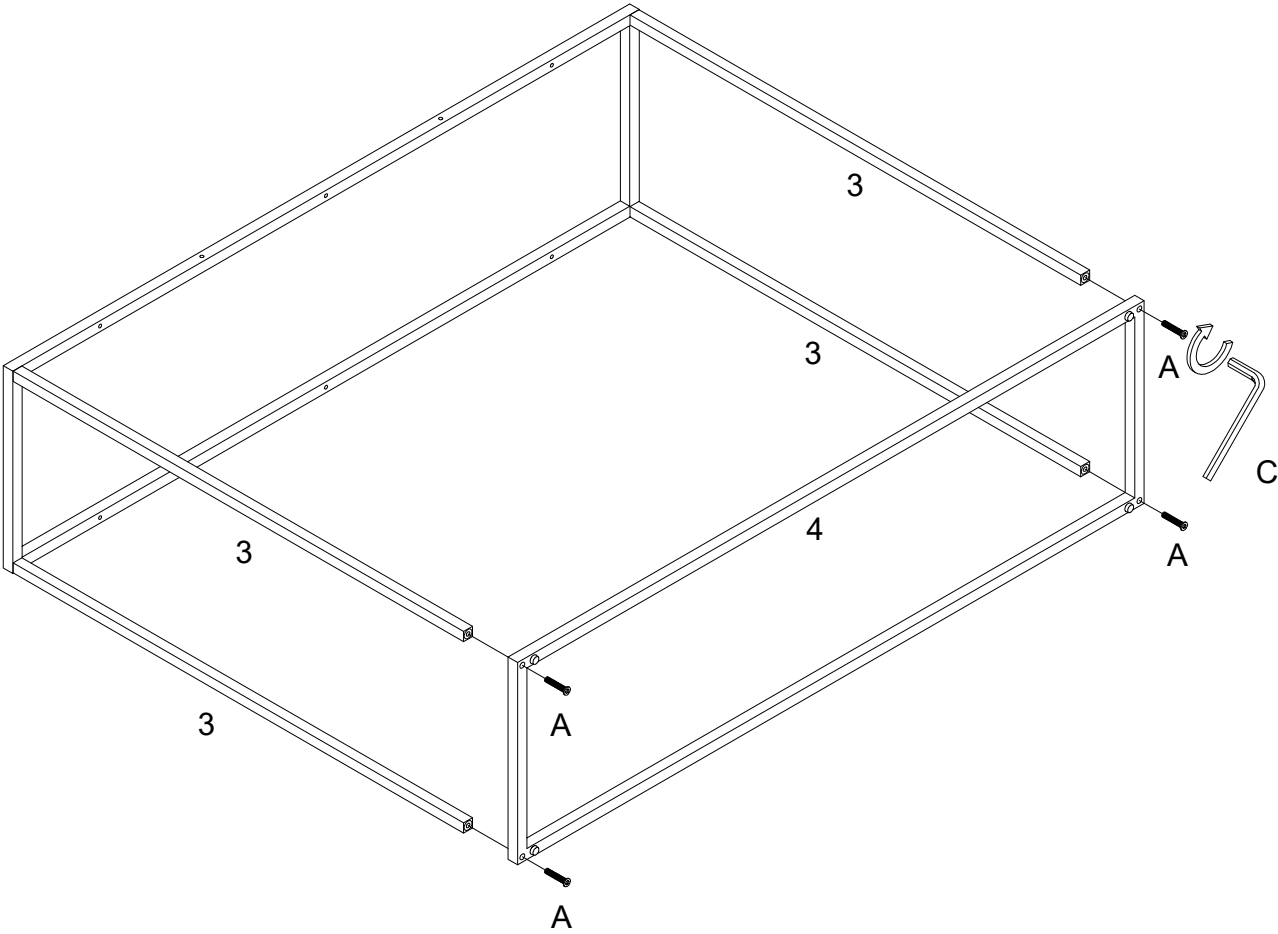
*The hardware quantities listed above are required for proper assembly.
Some extra hardware may also have been included.*

Step 1



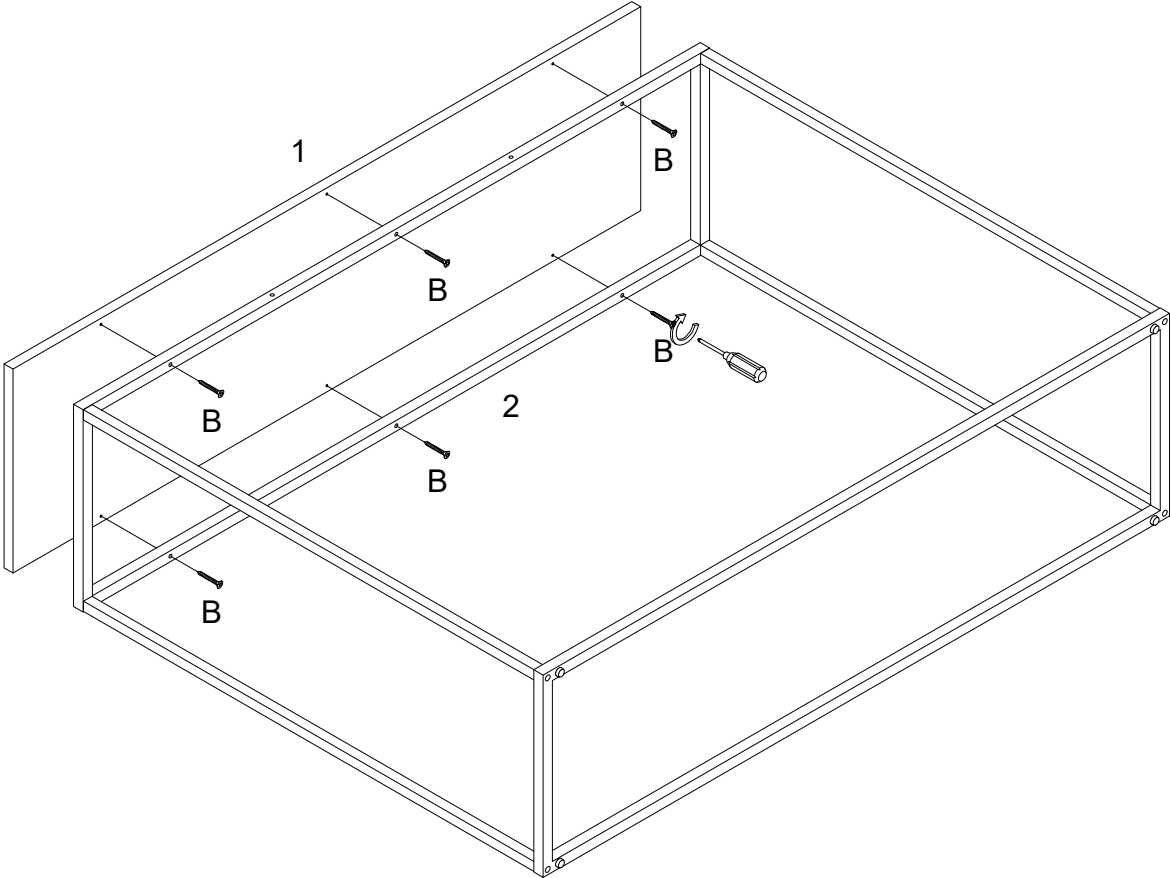
Using Bolt (A) attach part (2) to part (3) with Hex key (C) as per diagram.
Note : Do not fully tighten all the bolts.

Step 2



Using Bolt (A) attach part (4) to part (3) with Hex key (C) as per diagram.
Note: Fully tighten all the bolts.

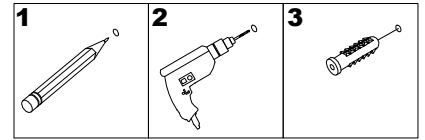
Step 3



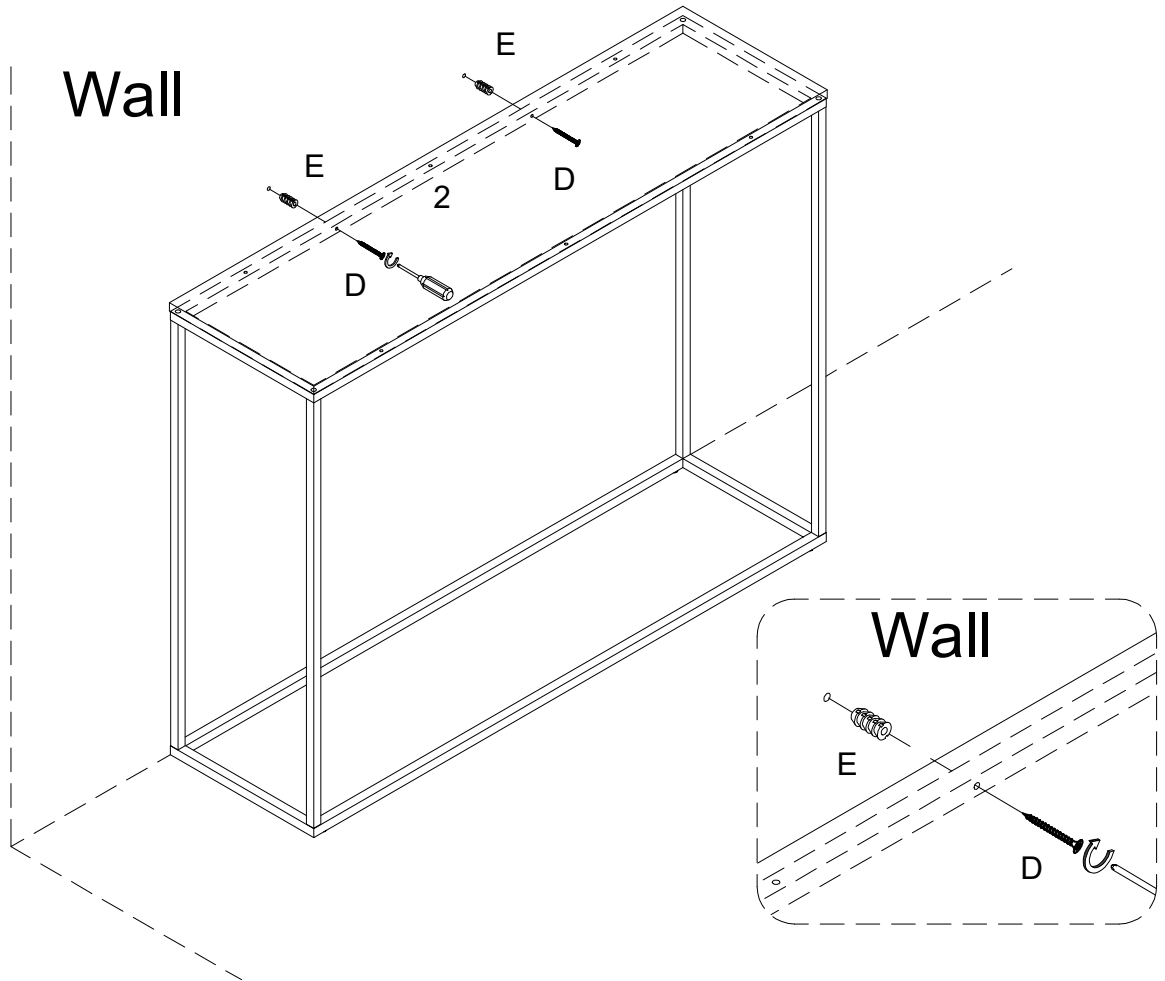
Using Screw (B) attach part (2) to part (1) with Philips head screwdriver as per diagram.

Step 4

WARNING

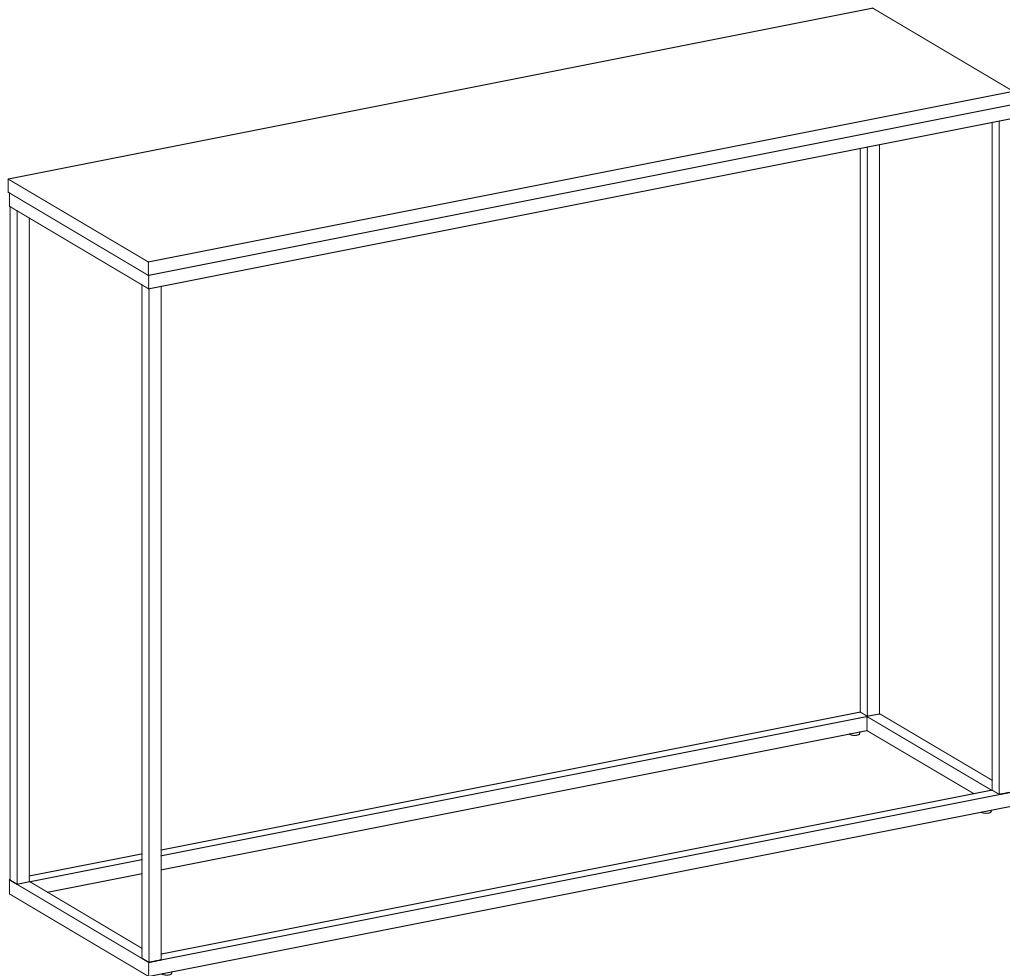


Serious or fatal injuries can occur from furniture tipping over. To prevent the furniture from tipping over we recommend that it is permanently fixed to the wall. Wall anchor and hardware are included with this product. Please make sure hardware is suitable for your walls before installing, as different wall materials may require different types of anchors.



Using screw (D) attach part (2) to Nut (E) to Wall with Philips head screwdriver as per diagram.

Step 5



Final Assembly