

# ASSEMBLY INSTRUCTION

## SKU #49528


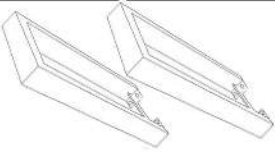
**Before beginning:**

- ! Unpack all parts and hardware to ensure you have all needed components for assembly.
- ! Read this guide cover to cover before beginning assembly.
- ! Assembly this item on a soft surface, such as carpet to protect finish.
- ! Proper assembly of this item requires 2 people & 20 minutes to assemble

**CARE INSTRUCTIONS**

Wipe with a soft, dry cloth. To protect finish, avoid the use of chemicals and household cleaners, Any liquid spilled on the table should be cleaned up immediately with a damp cloth.

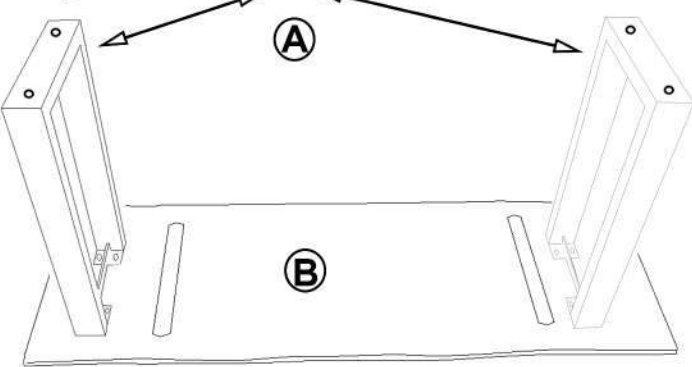
**PARTS LIST :**

No.	Description	Sketch	Quantity
A	Top		1
B	Leg		2

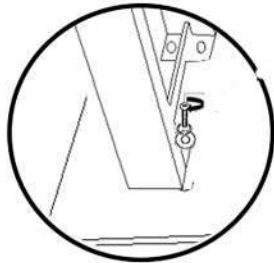
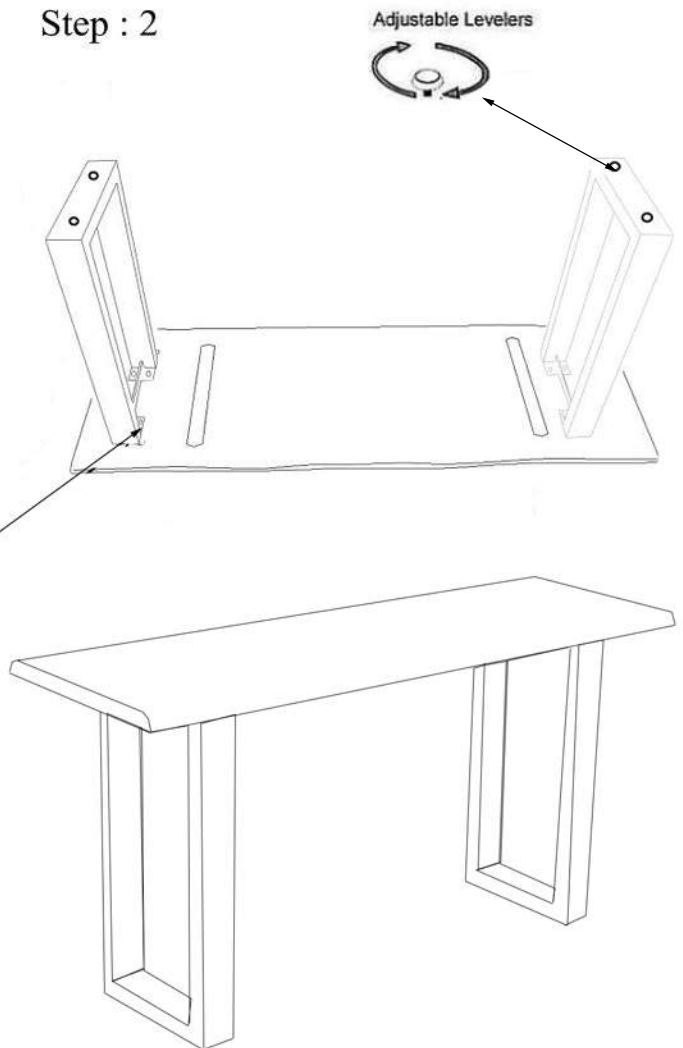
**HARDWARE LIST :**

No.	Sketch	Description	Size	Quantity
C		Allen Bolt	0.3" x 1"	8 + 1
D		Spring Washer	0.35 x 0.5"	8 + 1
E		Washer	0.35 x 1"	8 + 1
F		Allen Key	0.2"	1

Step : 1



Step : 2



FINISH