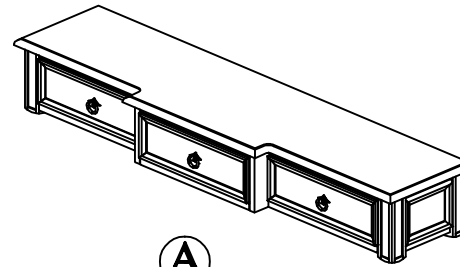
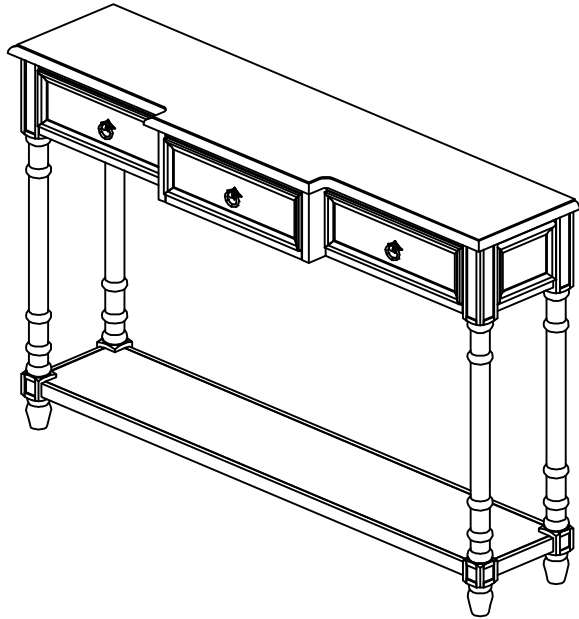


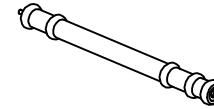


PARTS LIST / LISTE DES PIÈCES / LISTA DE PIEZAS
ITEM NO. /ARTICLE NO. /ARTICULO NO. : DS-517126-1A, DS-517126-2A
DESCRIPTION /DESCRIPCIÓN : CONSOLE TABLE / CONSOLE / CONSOLA,



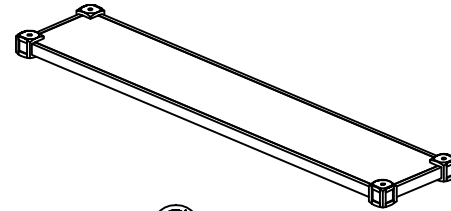
A

x 1 Table Top *
x 1 Dessus de table
x 1 Tablero de mesa



B

x 4 Leg *
x 4 Jambes
x 4 Piernas



C

x 1 Wood Shelf *
x 1 Étagère
x 1 Estante



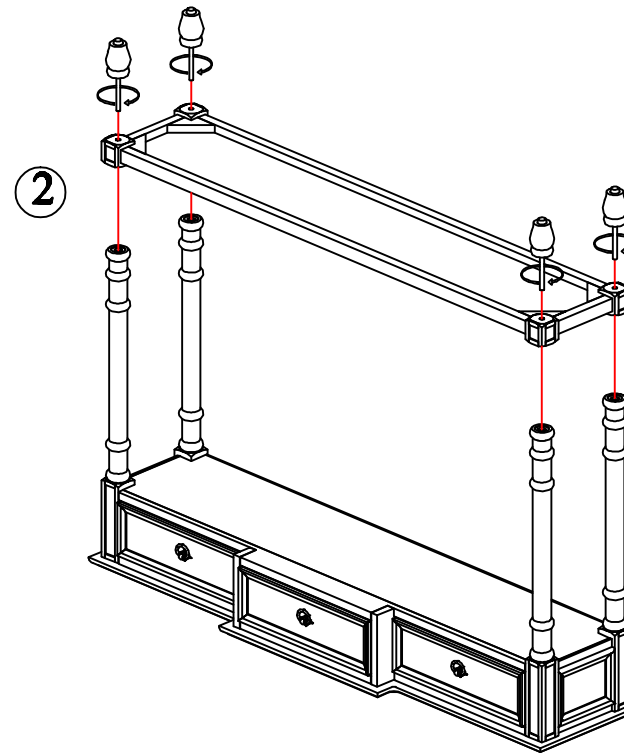
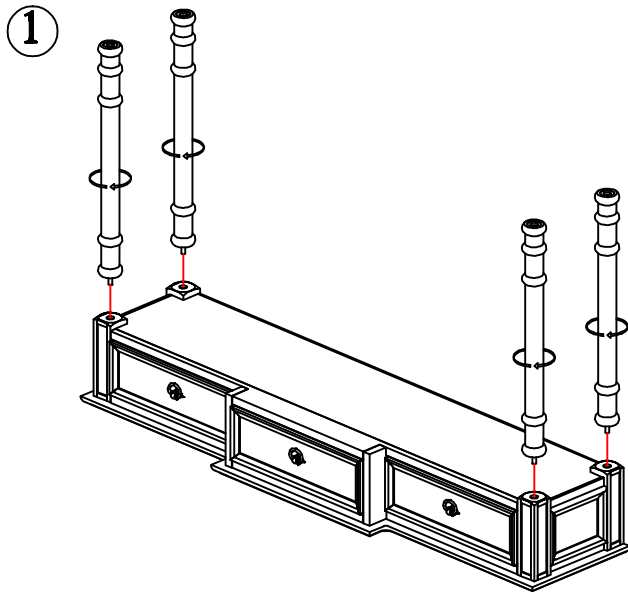
D

x 4 Bun Foot *
x 4 Pied en forme d'oignon
x 4 Pata redonda

* Replaceable part



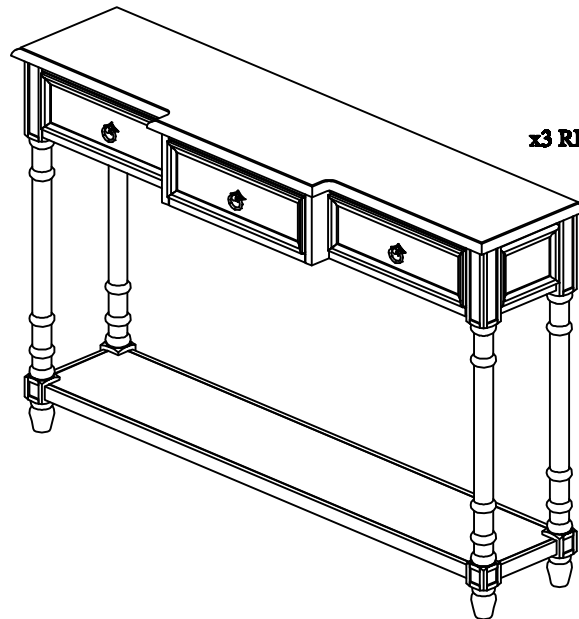
ASSEMBLY INSTRUCTIONS /NOTICE DE MONTAGE /INSTRUCCIONES DE MONTAJE
ITEM NO. /ARTICLE NO. /ARTICULO NO. : DS-517126-1A, DS-517126-2A
DESCRIPTION /DESCRIPCIÓN : CONSOLE TABLE / CONSOLE / CONSOLA,



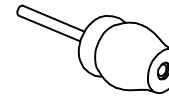
* Replaceable part



REPLACEABLE PART / PARTIE REMPLAÇABLE / PARTE REEMPLAZABLE
ITEM NO. /ARTICLE NO. /ARTICULO NO. : DS-517126-1A, DS-517126-2A
DESCRIPTION /DESCRIPCIÓN : CONSOLE TABLE / CONSOLE / CONSOLA,



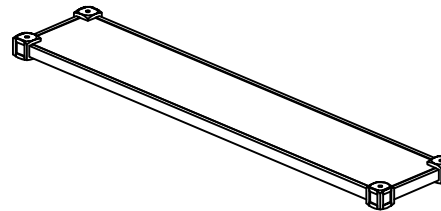
x3 RDS517126-1A/2A-PULL-Pull with Screw*
Tirer + vis
Tire + Tornillo



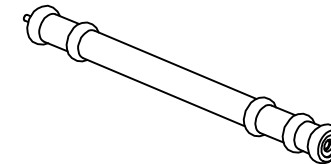
x4 RDS517126-1A/2A-FOOT-Bun Foot*
Pied en forme d'oignon
Pata redonda



x4 RC-FG-BLACK-Black Leveler*
Patin réglable
Nivelador



x1 RDS517126-1A/2A-SHELF- Wood Shelf*
Étagère
Estante



x4 RDS51617126-1A/2A-LEG-Legs*
Jambes
Piernas

*** Replaceable part**