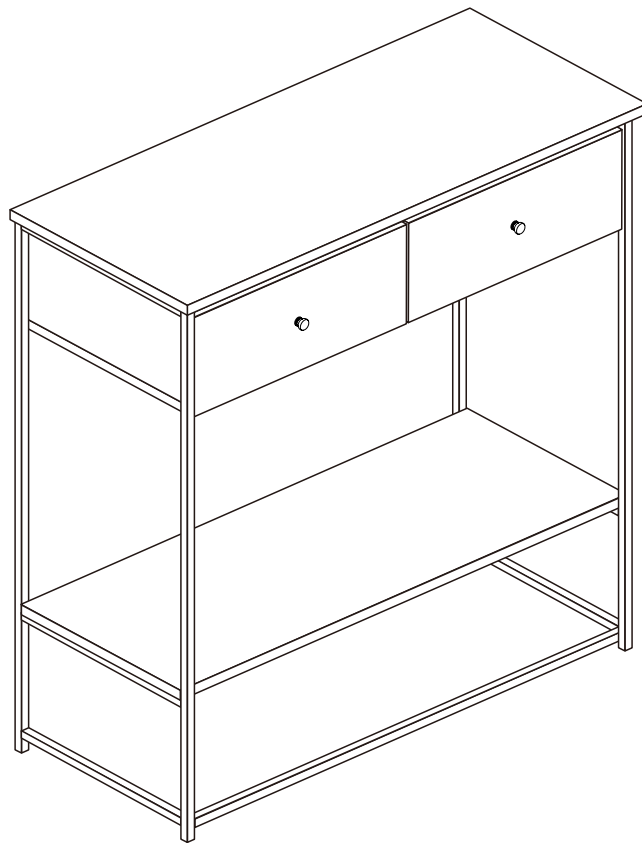


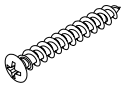
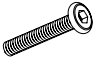
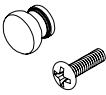
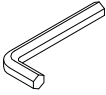

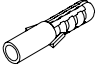


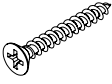
# Console Table

Model: 12491

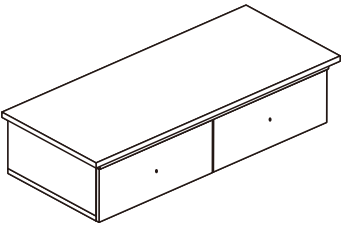


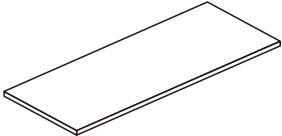
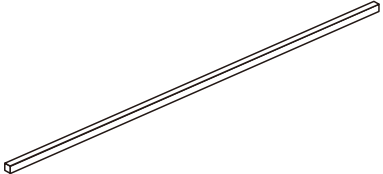


## ASSEMBLY INSTRUCTION

## HARDWARE LIST

A		B		C		D		E	
8 PCS		4 PCS		2 PCS		1 PC		2 PCS	
F		G		H		J			
2 PCS		2 PCS		4 PC		2 PCS			

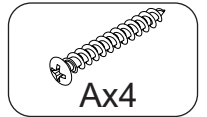
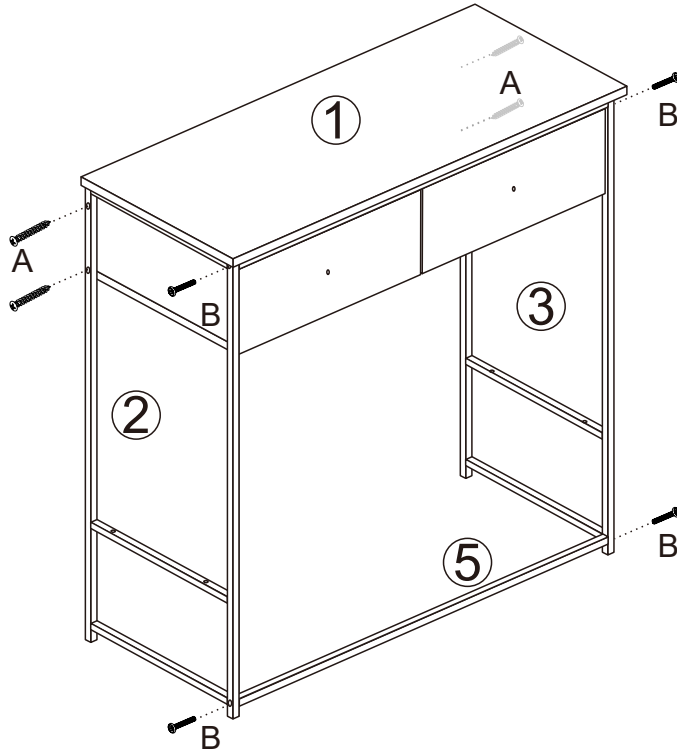
## PARTS LIST

		
1—1PC	2—1PC	3—1PC
		
4—1PC	5—1PC	

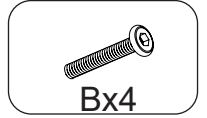
# ASSEMBLY STEPS

## STEP 1.

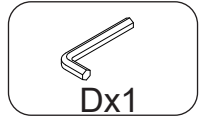
Fix parts 2 and 3 to parts 1 and 5 using screws (A) and (B), as shown.



Ax4



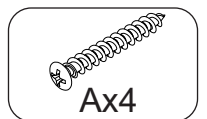
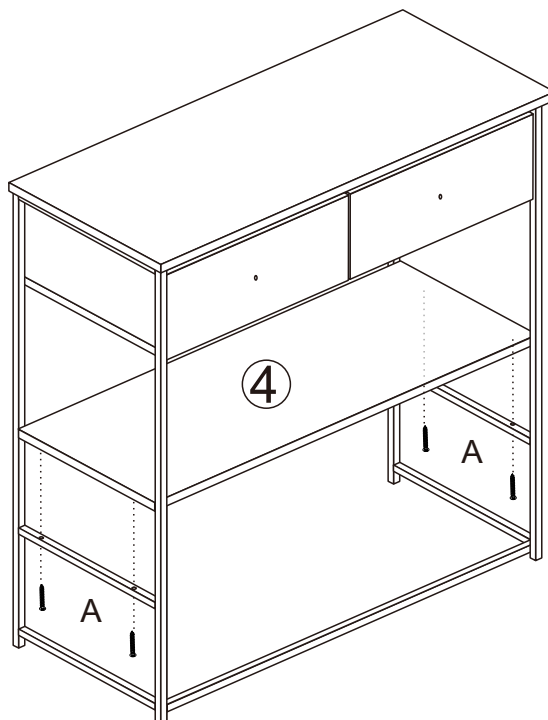
Bx4



Dx1

## STEP 2.

Insert part 4 into assembled parts.  
Secure part 4 to part 2 and 3 using screws (A), as shown.



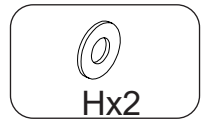
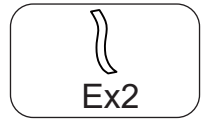
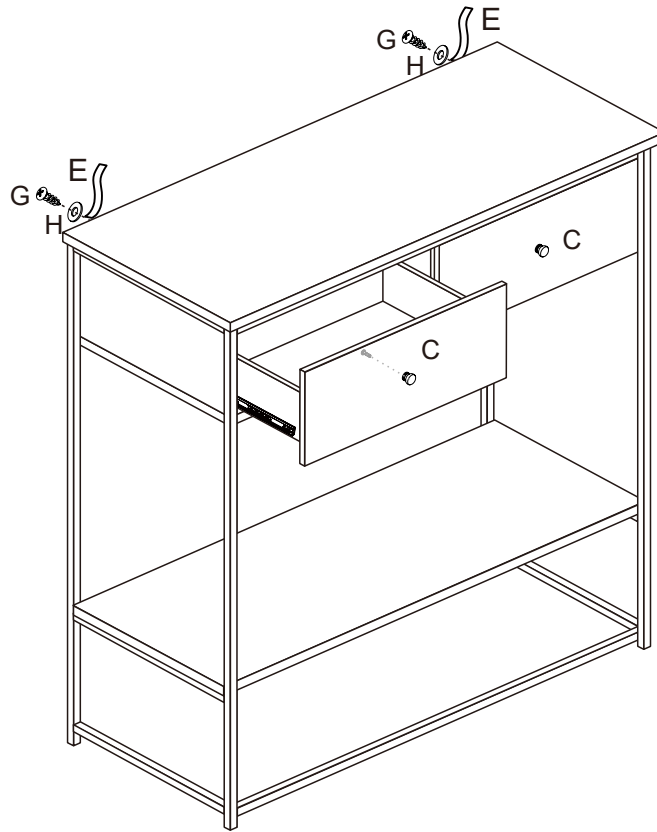
Ax4

## ASSEMBLY STEPS

### STEP 3.

Fix handles to drawers using screws (C), as shown.

Fix wall strap (E) to assembled unit using screws (G) and washers (H), as shown.



### STEP 4.

For extra stability, it is recommended that you fix your table to the wall using the screws (J) and washers (H) into wall plugs (F), as shown.

Should you choose not to affix the product to the wall, serious injury may be caused if the product tips over.

