

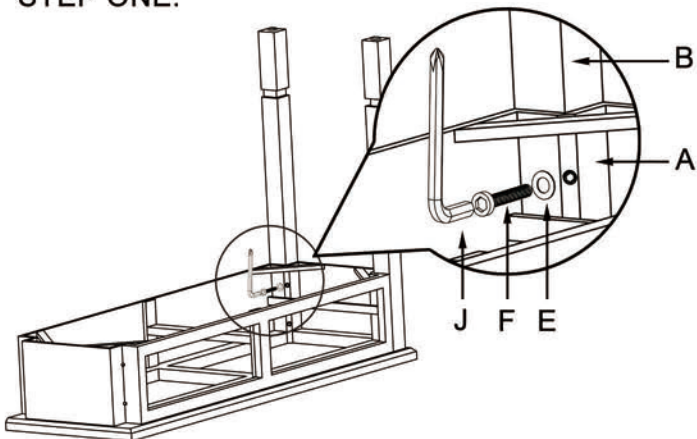
# ASSEMBLY INSTRUCTIONS

## ITEM NO:55613

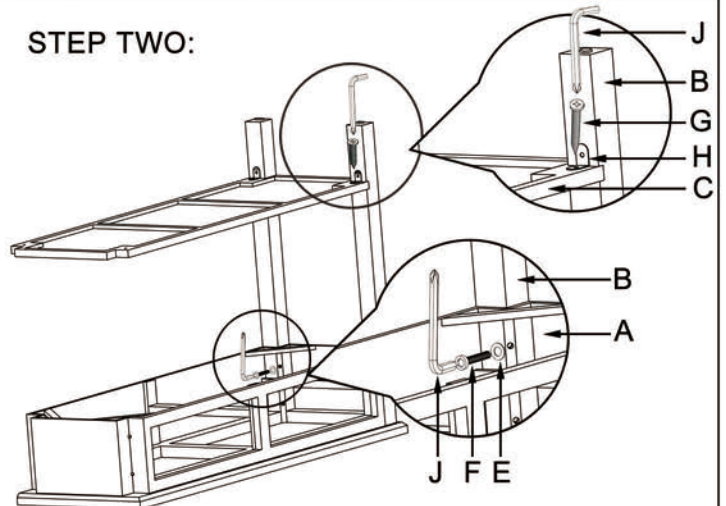
Thank you for purchasing this quality product. Be sure to check all packing material carefully for small parts that may have come loose inside the carton during shipment. (Note: Loosely thread all screws/bolts first. Once the item is assembled then completely tighten. )

PARTS LIST				HARDWARE LIST				
NO.	Description	Sketch	Quantity	NO.	Description	Sketch	Size	Quantity
A	Tops		1	E	Lock washer		Φ1/5 " *1/50 "	8
B	Legs		4	F	Blots		Φ1/5 " *1/2 "	8
C	Boards		1	G	Blots		3/25 "	8
D	Board		2	H	Angle iron		1/5 "	4
				J	Allen wrench		Φ4/25 "	1

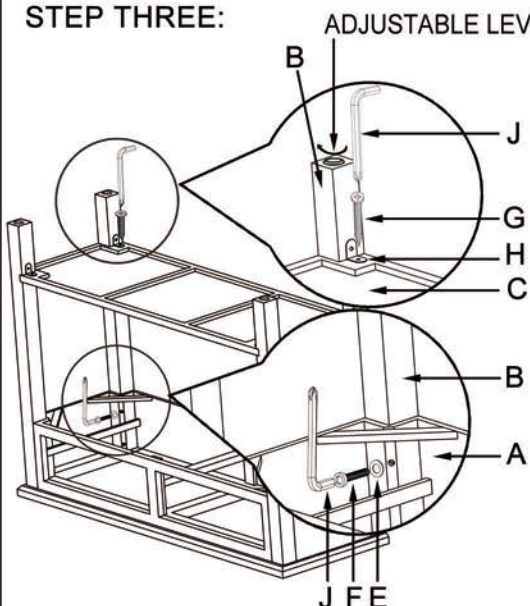
### STEP ONE:



### STEP TWO:



### STEP THREE:



#### ADJUSTABLE LEVELERS

#### Tips for aligning doors:

Tip A: Sometimes the doors will not line up because of an uneven floor surface, try adjusting the levelers found on the bottom of each foot to aid in correcting.

### STEP FOUR:

