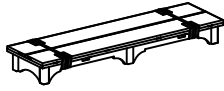
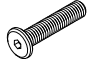
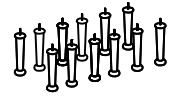







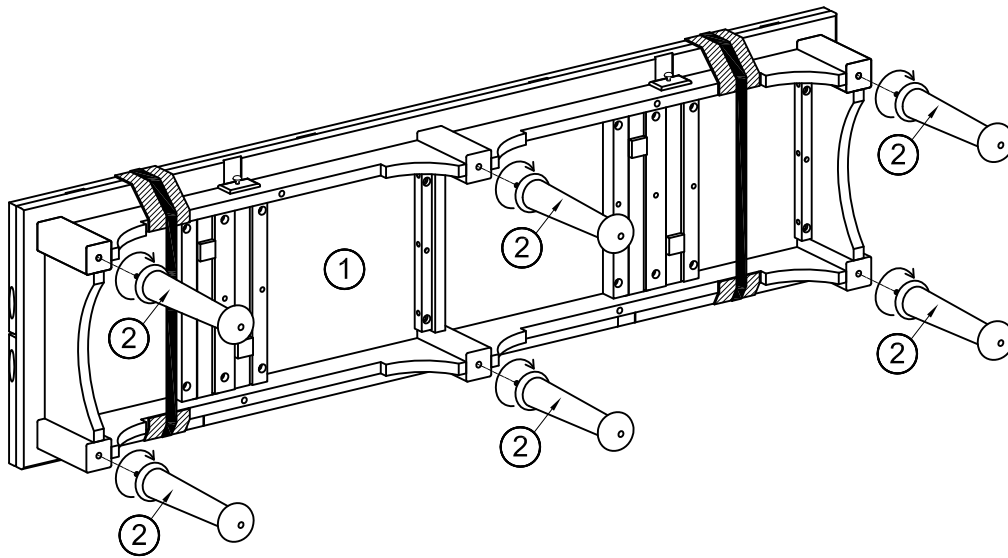
Assembly Instructions

ITEM NO: 55670

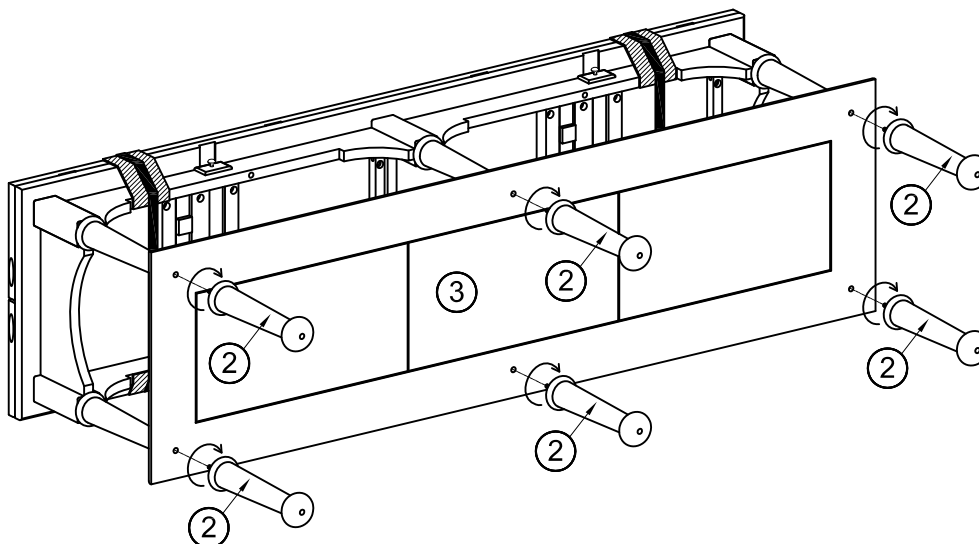
Thank you for purchasing this quality product. Be sure to check all packing material carefully for small parts that may have come loose inside the carton during shipment. (Note: Loosely thread all screws/bolts first. Once the item is assembled then completely tighten.)

PARTS LIST:				HARDWARE LIST:				
No.	Description	Sketch	Quality	No.	Sketch	Description	Size	Quality
1	Table Top		1 Pc	A		Allen Head Bolt	Ø8x40mm	6 Pcs
2	Legs		12 Pcs	B		Lock Washer	Ø9xØ13mm	6 Pcs
3	Shelf		1 Pc	C		Flat Washer	Ø8xØ20mm	6 Pcs
4	Shelf		1 Pc	D		Allen Key	4x110mm	1 Pc

STEP 1



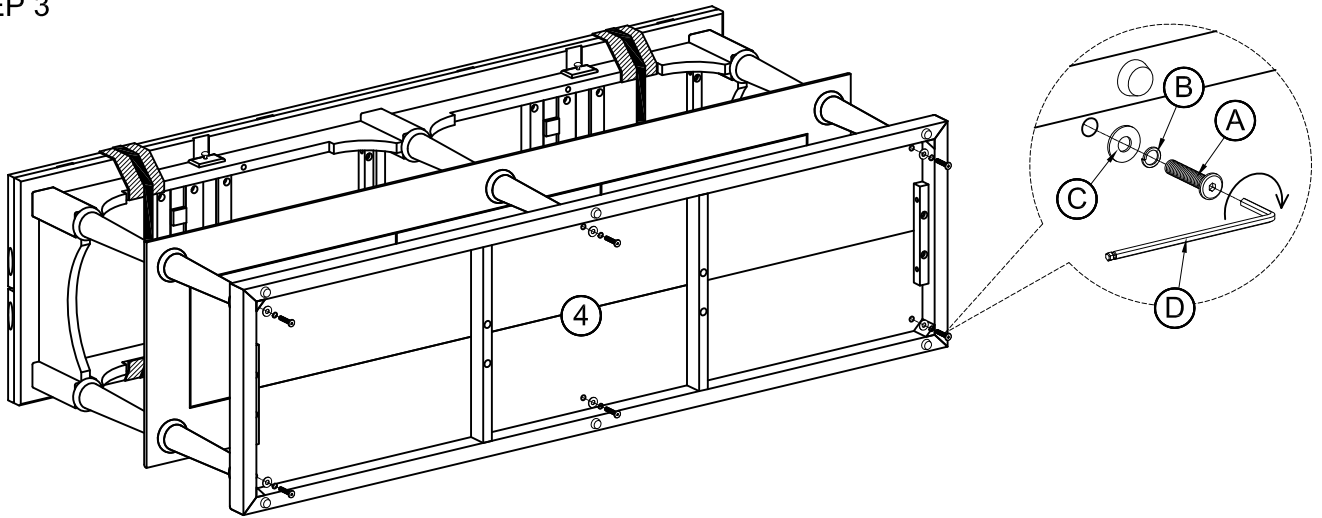
STEP 2



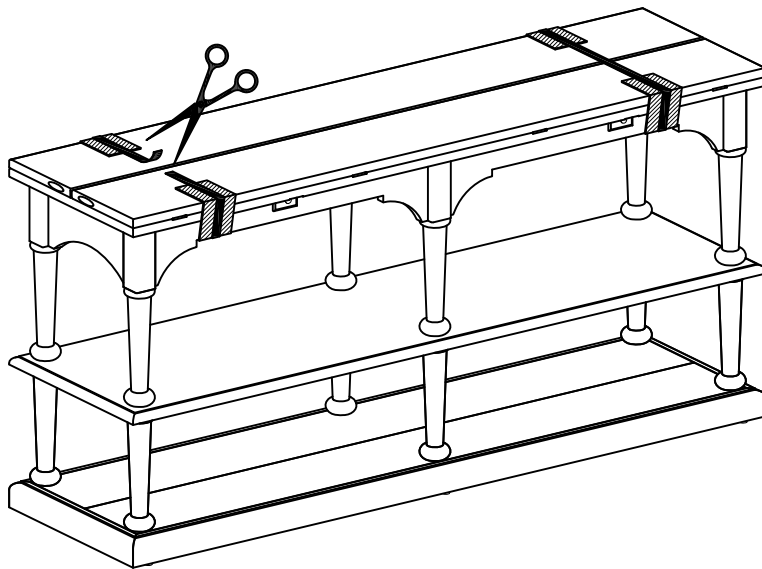
Assembly Instructions

ITEM NO: 55670

STEP 3



STEP 4



STEP 5

