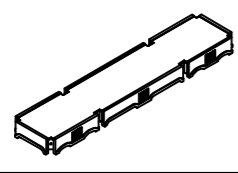
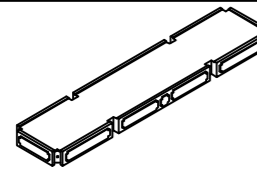




Assembly Instructions

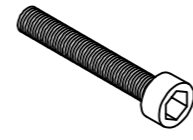


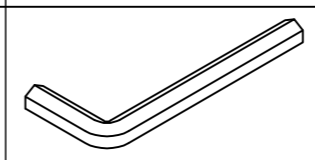
Item No. 55667

Thank you for Purchasing this quality product. Be sure to check all packing material carefully for small parts that may have come loose inside the carton during shipment. Note! Loosely thread all screws/bolts first. Once the item is assembled then completely tighten.)

Parts List

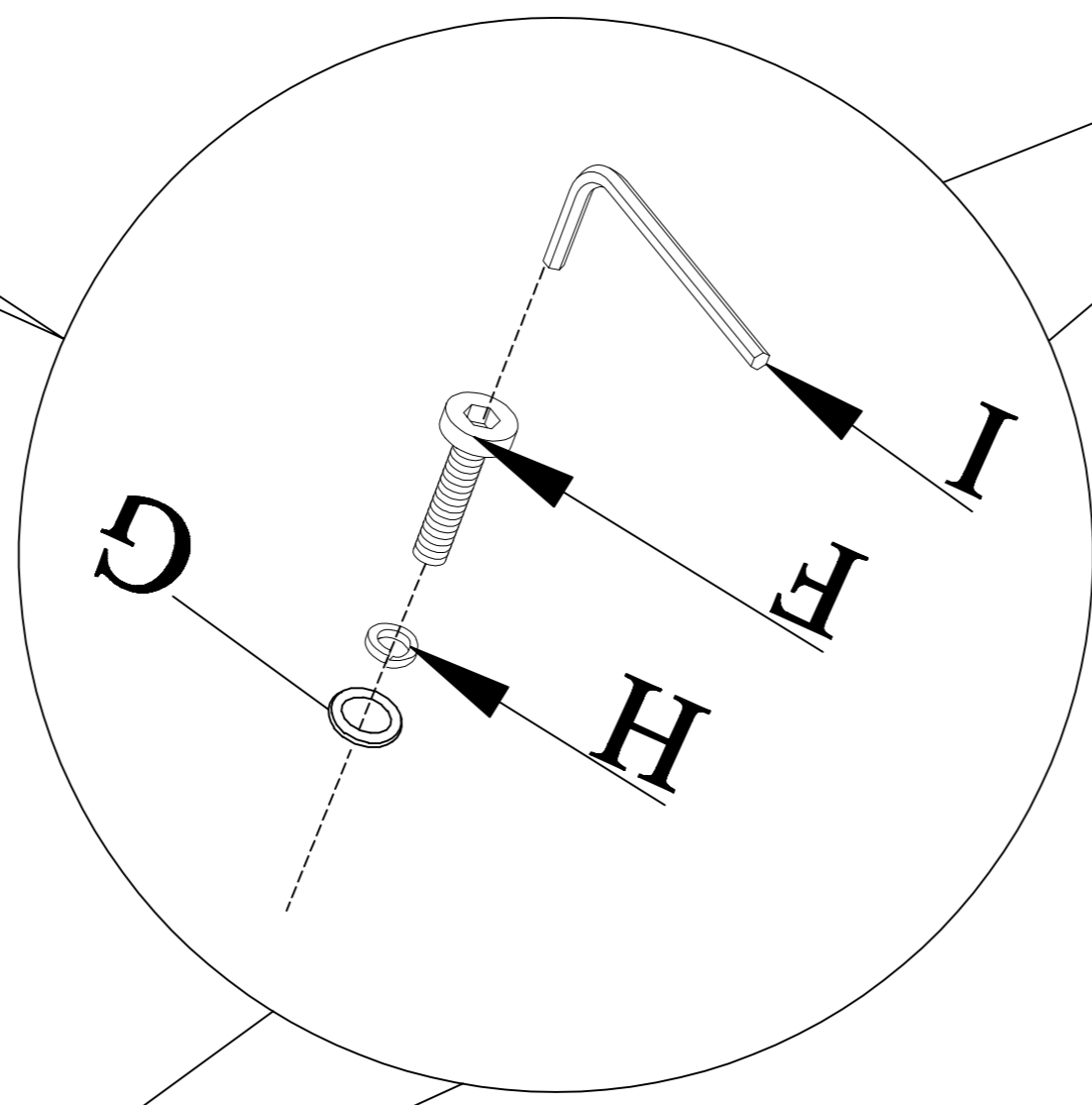
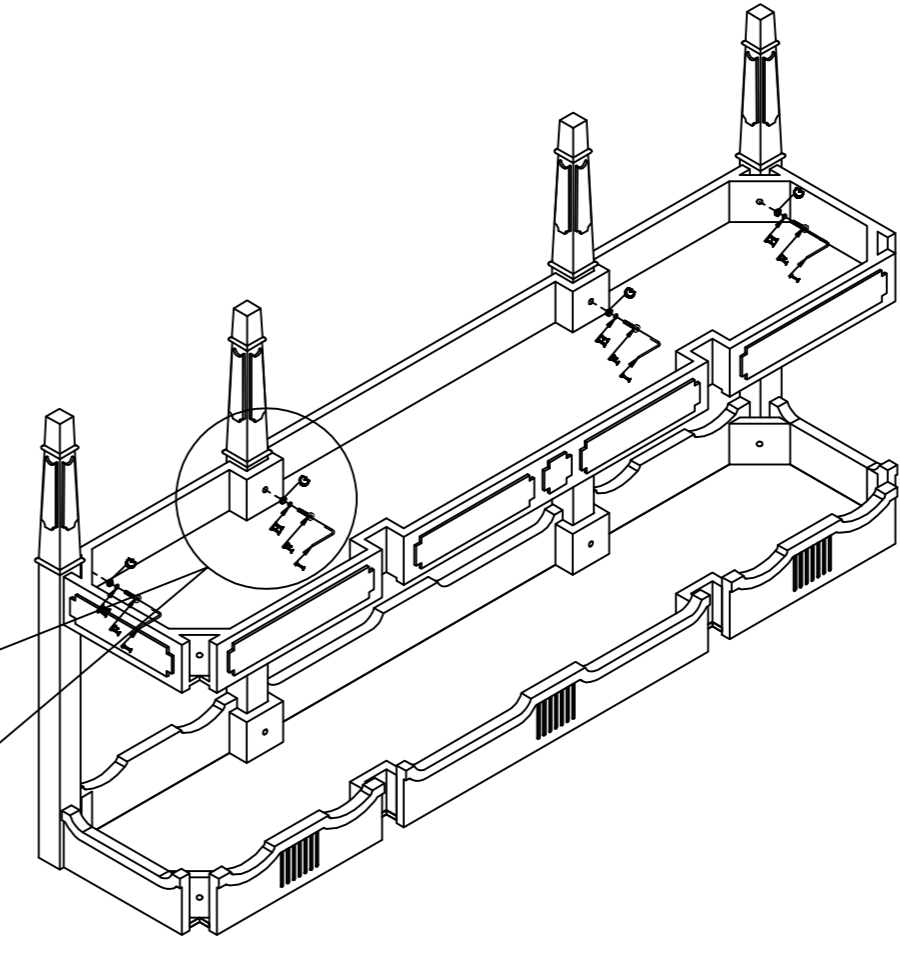
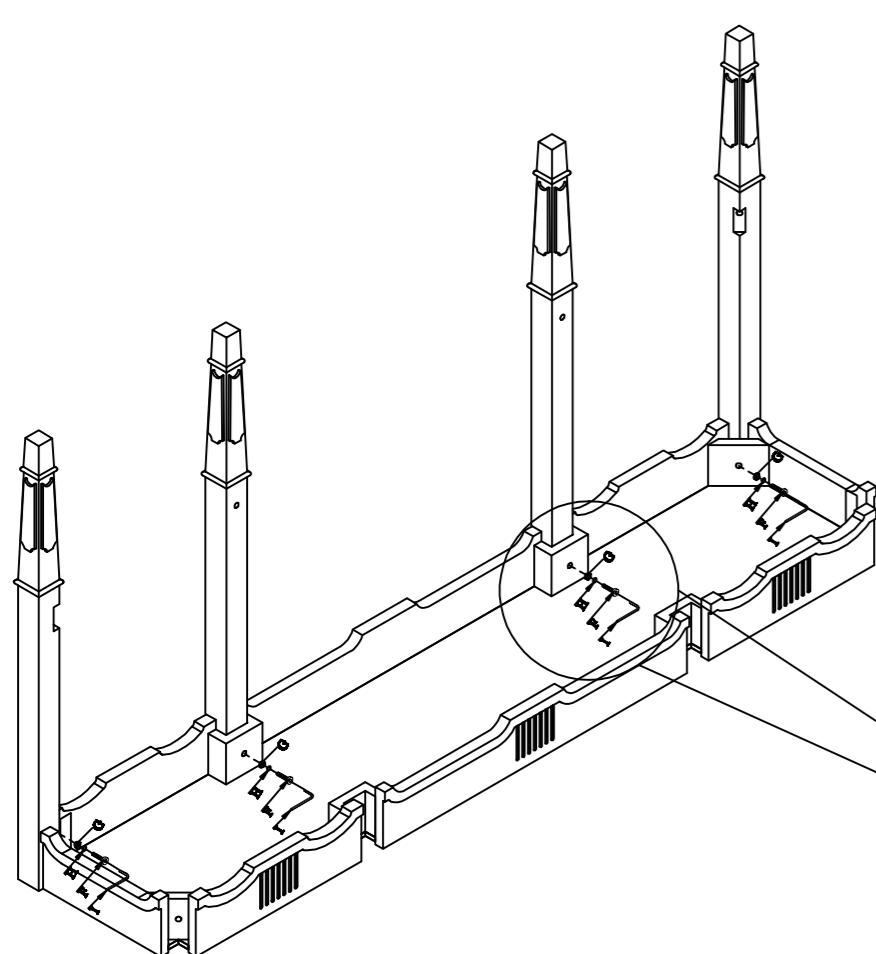
NO.	Sketch	Description	Quantity
A		Table top	1 pc
B		SHELF	1 pc
C		Feet-1	4pcs
D		Feet-2	4pcs

Hardware List

NO.	Sketch	Description	Size	Quantity
F		Bolt	5/8*1 3/4	16pcs
G		Flat Washer	5/8	16pcs
H		Spring Washer	5/8	16pcs
I		Allen Key	5/16"	1pc

STEP 1:

STEP 2:



STEP 3:

STEP 4:

