

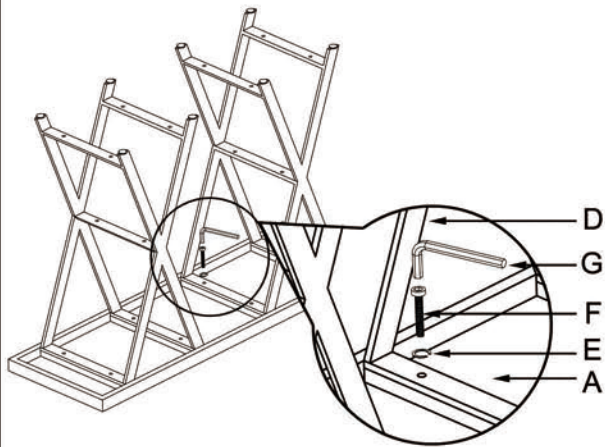
ASSEMBLY INSTRUCTIONS

ITEM NO: 60249

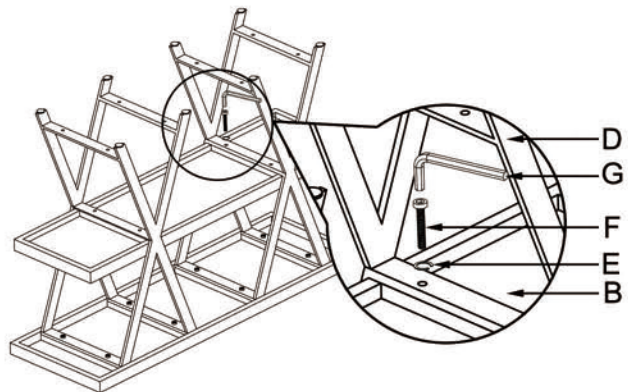
Thank you for purchasing this quality product. Be sure to check all packing material carefully for small parts that may have come loose inside the carton during shipment. (Note: Loosely thread all screws/ bolts first. Once the item is assembled then completely tighten.)

PARTS LIST				HARDWARE LIST				
NO.	Description	Sketch	Quantity	NO.	Description	Sketch	Size	Quantity
A	Top		1	E	Lock washer		Φ1/5 " * 1/50 "	20
B	Board		1	F	Blots		Φ7/25 " * 8/5 "	20
C	Board		1	G	Allen wrench		Φ4/25 "	1
D	Legs		2					

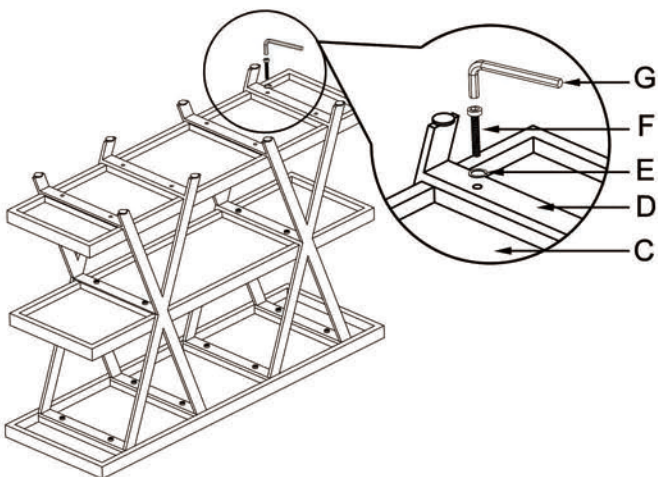
STEP ONE:



STEP TWO:



STEP THREE:



STEP FOUR:

