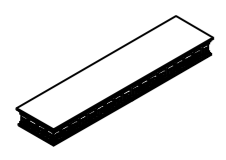






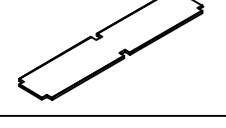
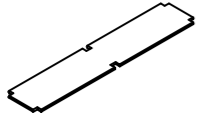


# Assembly Instructions

Item No. 60234

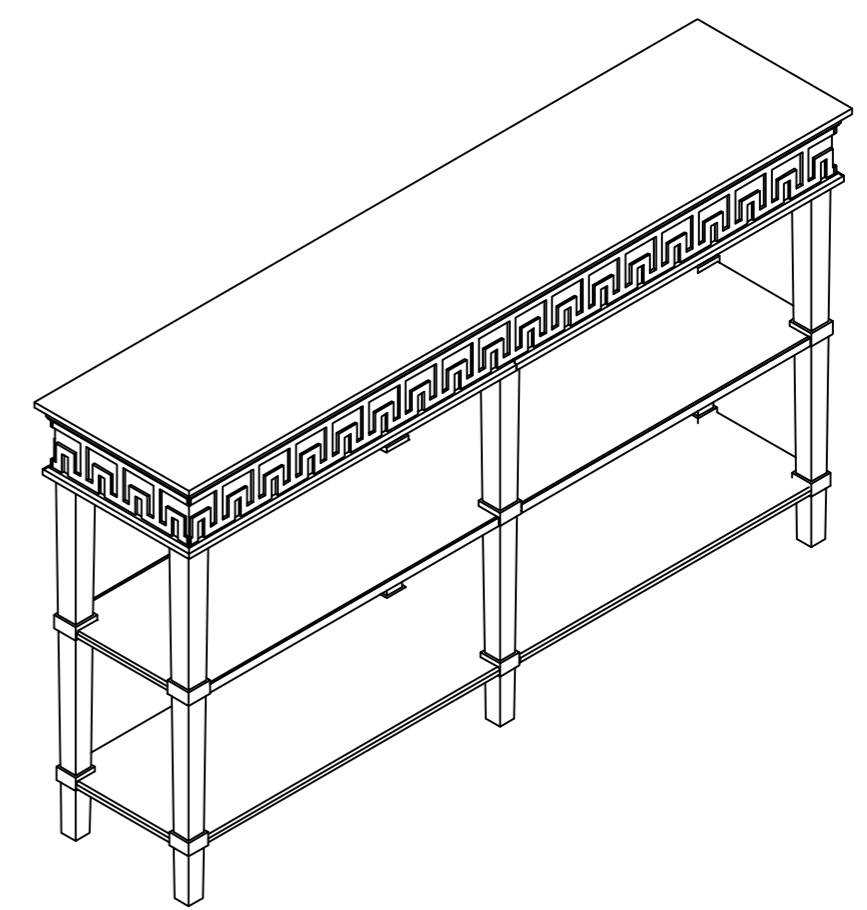
Thank you for Purchasing this quality product. Be sure to check all packing material carefully for small parts that may have come loose inside the carton during shipment. Note! Loosely thread all screws/bolts first. Once the item is assembled then completely tighten.)

## Parts List

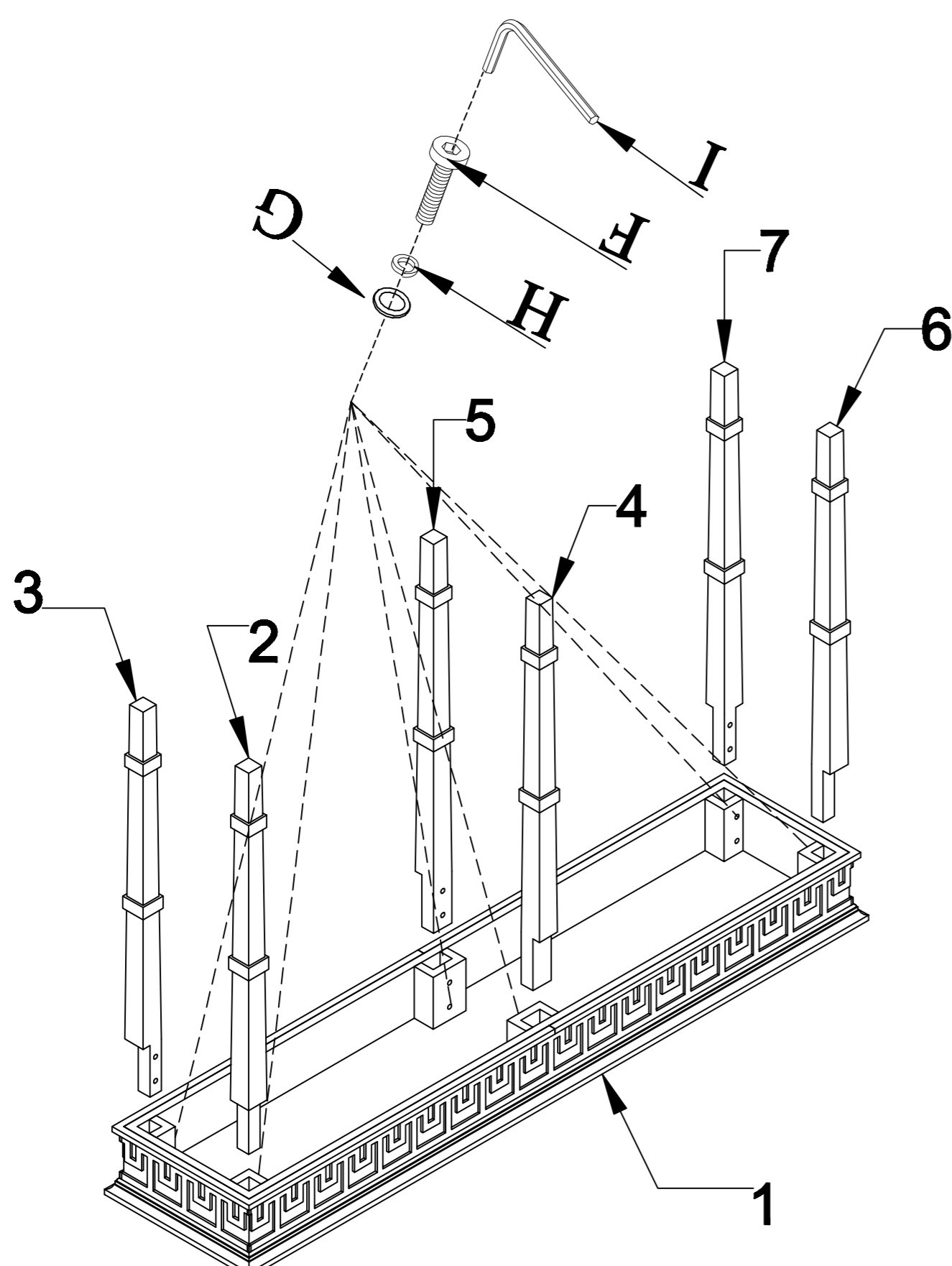
NO.	Sketch	Description	Quantity
1		Table top	1 pc
2		Feet-1	1 pc
3		Feet-2	1 pc
4		Feet-3	1 pc
5		Feet-4	1 pc
6		Feet-5	1 pc
7		Feet-6	1 pc
8		Shelf-1	1 pc
9		Shelf-2	1 pc

## Hardware List

NO.	Sketch	Description	Size	Quantity
F		Bolt	5/16*1.5	12pcs
G		Flat Washer	5/16	12pcs
H		Spring Washer	5/16	12pcs
I		Allen Key	1/4"	1pc
J		Angle Iron		12pcs
K		Screw		24pcs



## STEP1:



## STEP2:

