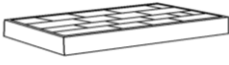




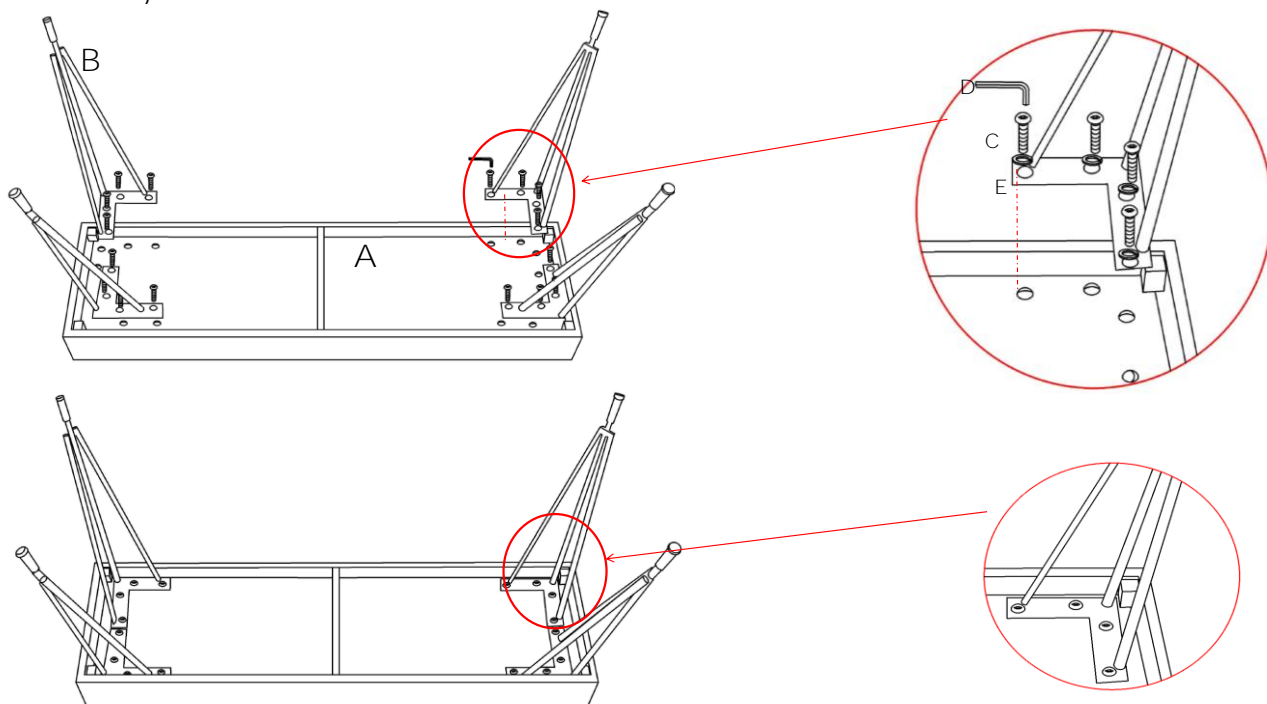


Thank you for purchasing this quality product. Be Sure to check all packing material carefully for small parts that may have come loose inside the carton during shipment. (Note : Loosely thread all screws / bolts first. Once the Item is assembled then

PARTS LIST :				HARDWARE LIST :				
NO.	DESCRIPTION	SKETCH	QTY	NO.	DESCRIPTION	SKETCH	SIZE	QTY
A	TOP		1	C	BOLT		8/16"	16+1
B	LEG		4	D	ALLEN WRENCH		5 mm	1
				E	FLAT WASHER		5 mm	16+1

STEP:1 Fix the iron legs to the wooden top (Match the holes of A & B) and screw the bolt (8/16") and tight it with allen key as shown below.



Tip A: Sometimes the Table will not balance because of an uneven floor surface the furniture rests on. In that case, try adjusting the levelers found on the bottom of each foot to aid in correcting.

