

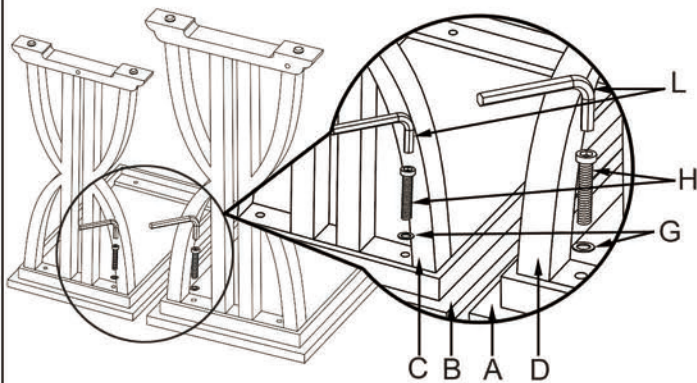
ASSEMBLY INSTRUCTIONS

ITEM NO: 60246

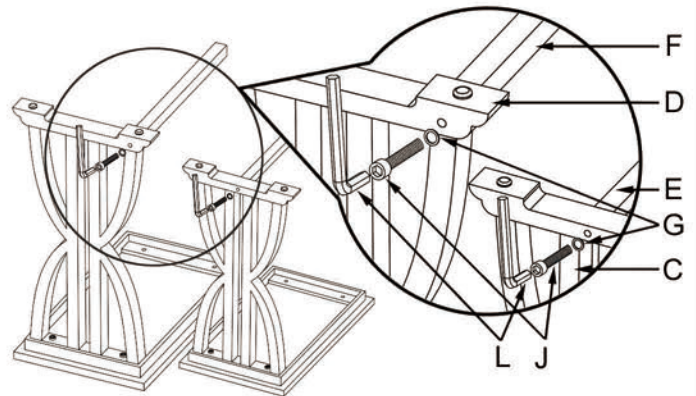
Thank you for purchasing this quality product. Be sure to check all packing material carefully for small parts that may have come loose inside the carton during shipment. (Note: Loosely thread all screws/bolts first. Once the item is assembled then completely tighten.)

PARTS LIST				HARDWARE LIST				
NO.	Description	Sketch	Quantity	NO.	Description	Sketch	Size	Quantity
A	Top		1	G	Lock washer		Φ1/5 " * 1/50 "	12
B	Top		1	H	Blots		Φ7/25 " * 8/5 "	8
C	Legs		2	J	Blots		Φ7/25 " * 2 "	4
D	Legs		2	K	Block Shot		Φ3/5 "	4
E	Board		1	L	Allen wrench		Φ1/5 "	1
F	Board		1					

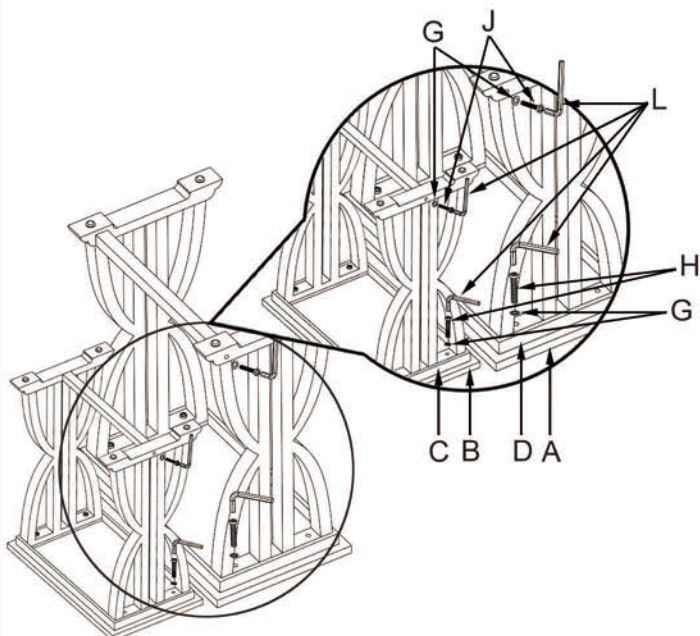
STEP ONE:



STEP TWO:



STEP THREE:



STEP FOUR:

