

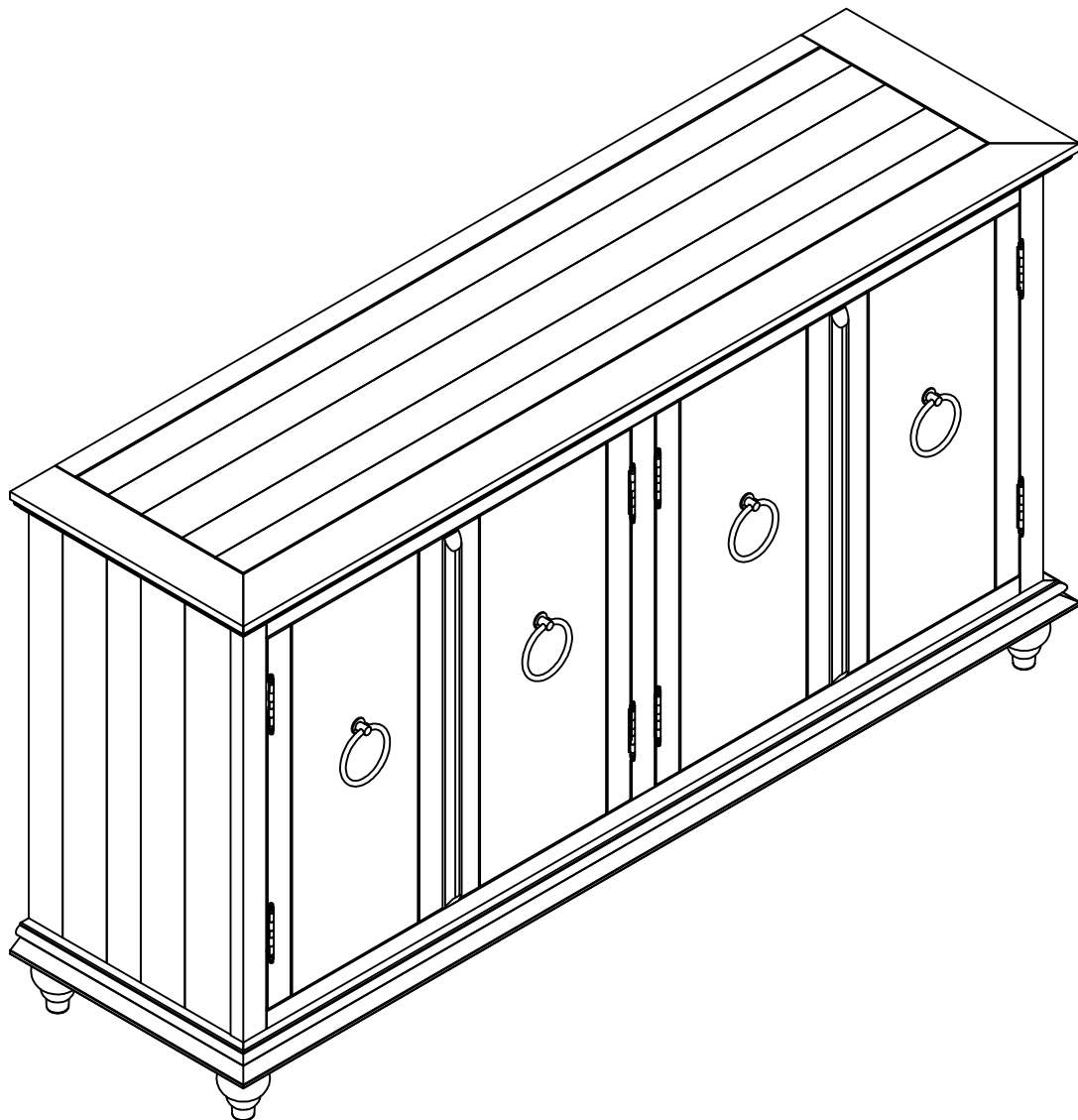
Assembly Instructions

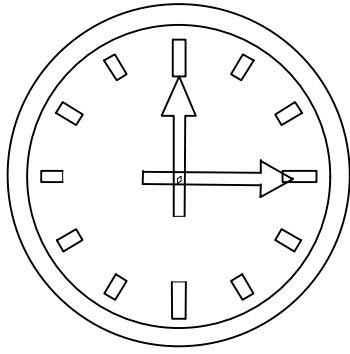
909181- Garden District, Antique Turquoise

909183 - Garden District, Antique White

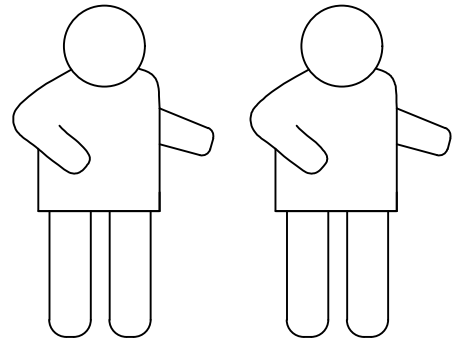
909185 - Garden District, Antique Blue

**Product Issues? Please Call Us Before Contacting Your Retailer At
1-800-549-3300, email customerservice@mshome.co, or visit www.mshome.co
We can help with Assembly Issues, Part Requests, Damages, & All Other
Product Related Questions**

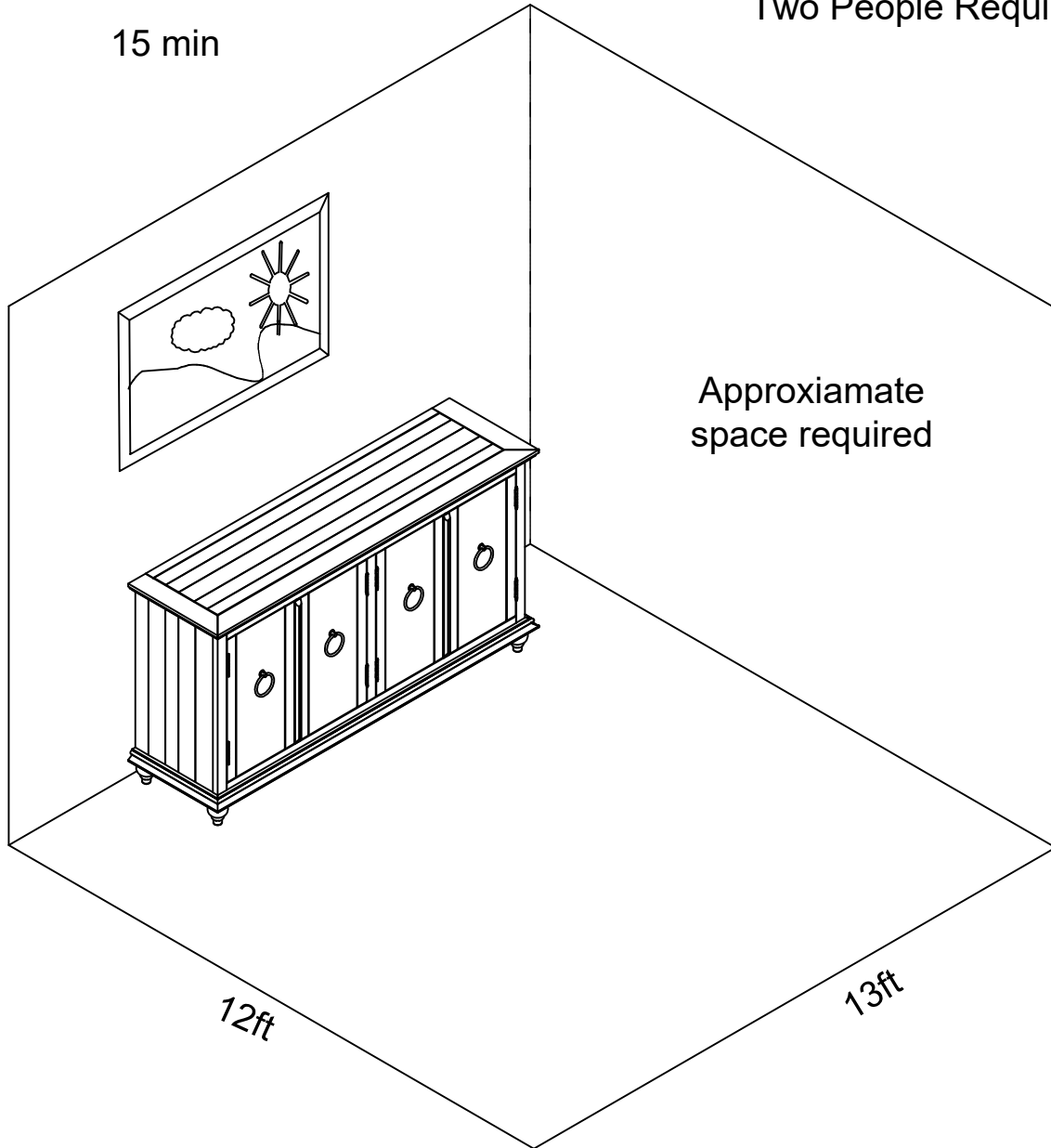




15 min



Two People Required



Approxiamate
space required

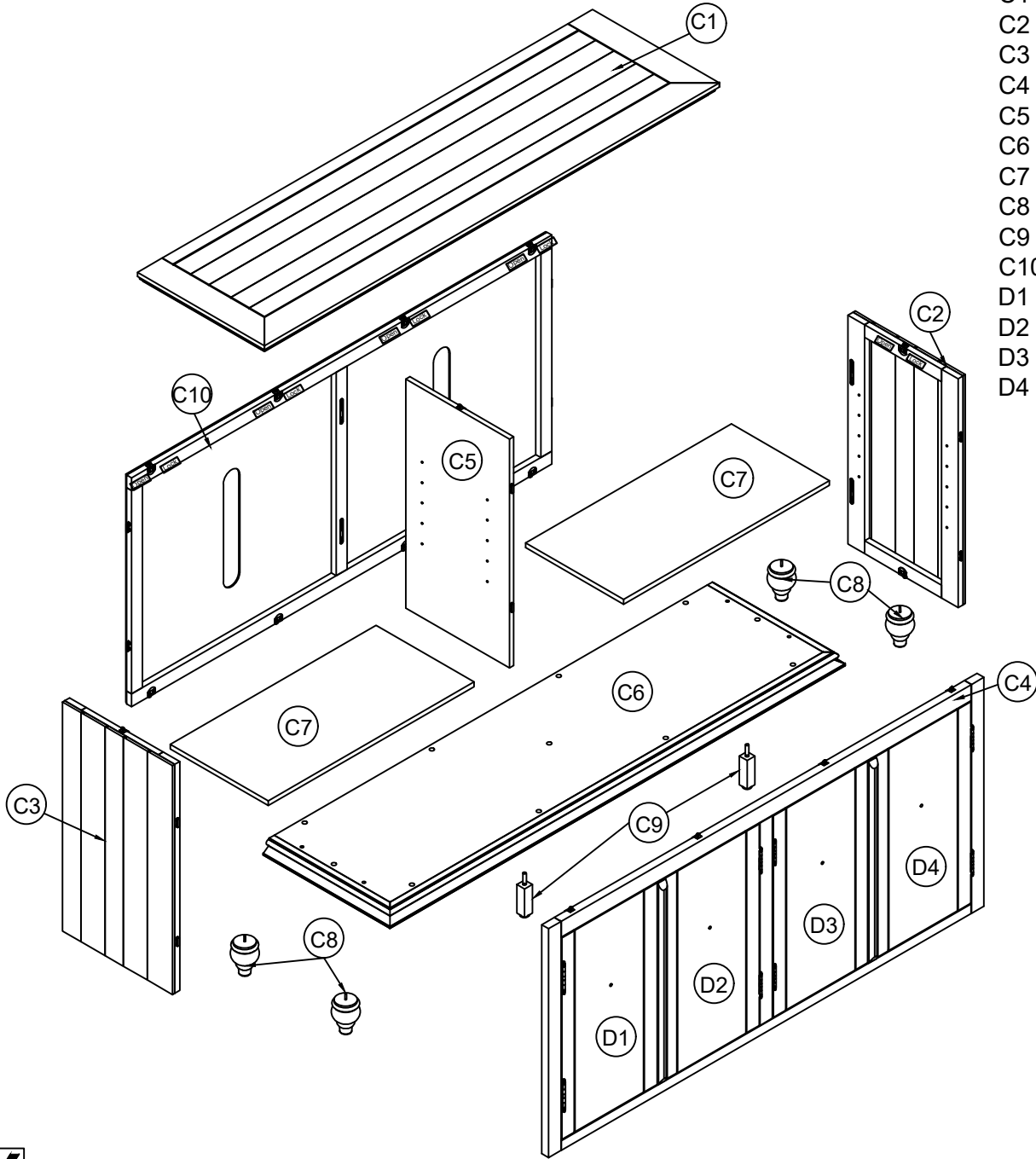
12ft

13ft

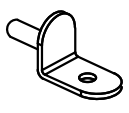



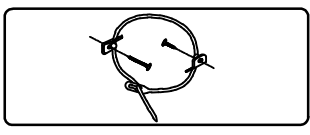


Phillips Head
Not Provided

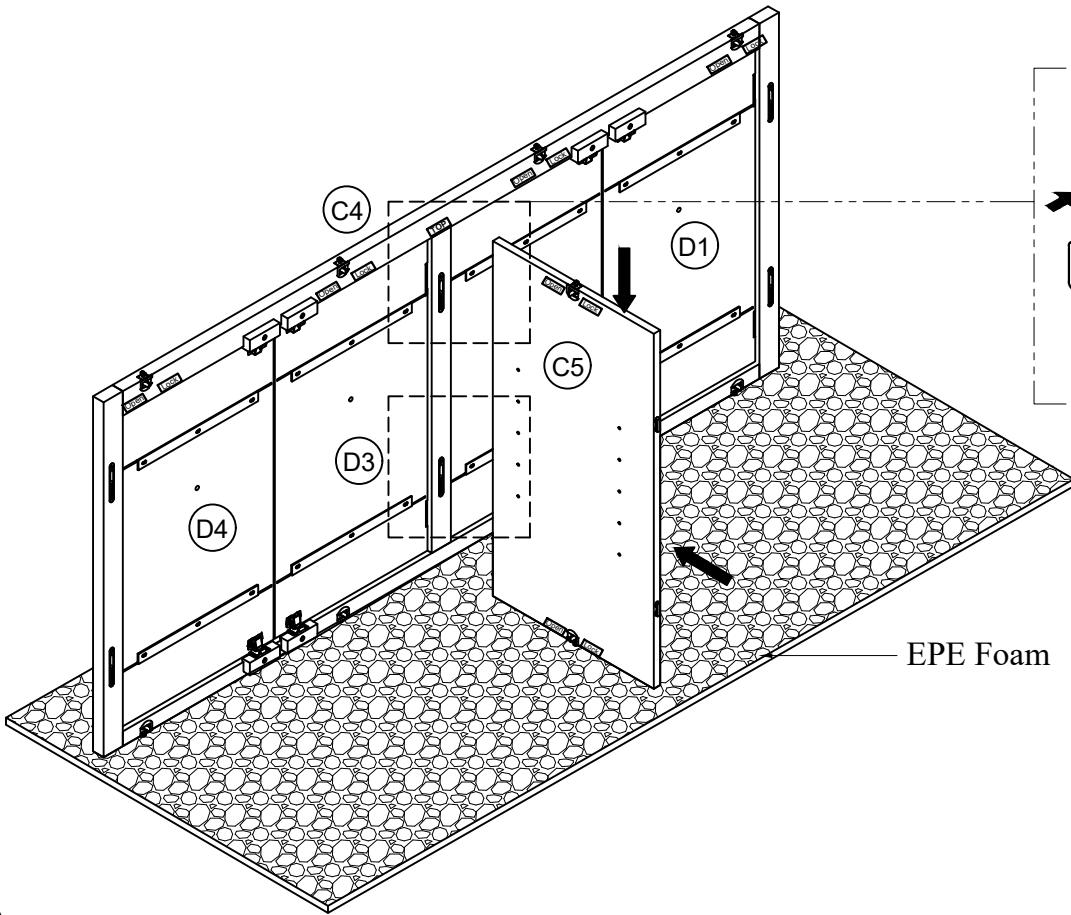
- Part List :
- C1 Top
 - C2 Side Right Panel
 - C3 Side Left panel
 - C4 Front frame
 - C5 Partition panel
 - C6 Bottom panel
 - C7 Shelf panel x2
 - C8 Leg x4
 - C9 Support leg x2
 - C10 Back panel
 - D1 Door 1
 - D2 Door 2
 - D3 Door 3
 - D4 Door 4



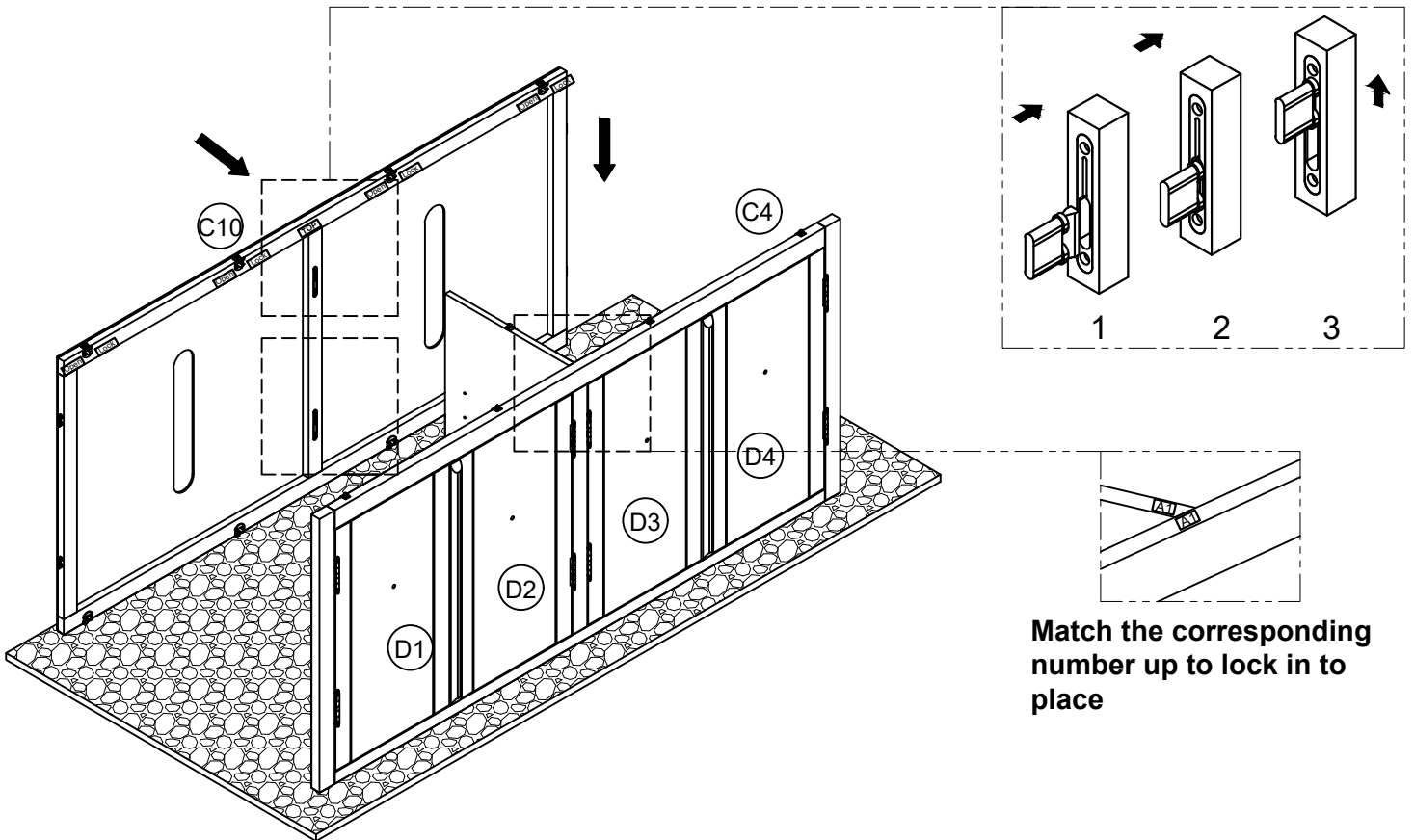
Hardware Pack:

<p>A</p>  <p>8pcs</p>	<p>B</p>  <p>Ø3.5x15 (mm) 8pcs</p>	<p>C</p>  <p>4pcs</p>	<p>D</p>  <p>Ø4x15 (mm) 4pcs</p>
 <p>ANTI-TIP SET</p>			

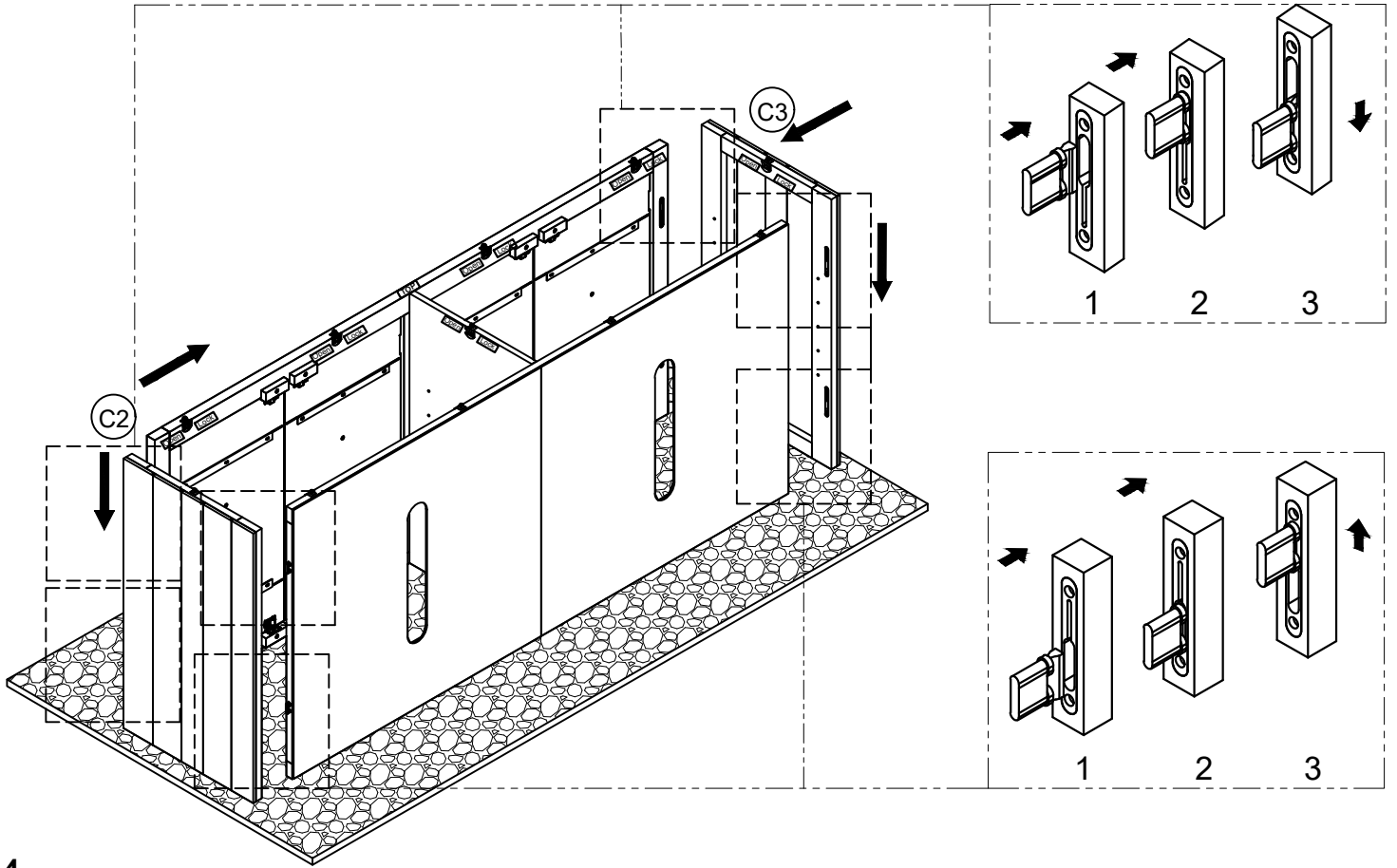
- 1 Please lay all components on smooth flat surface to prevent scratches
Use the EPE foam to protect the plastic hardware before assembly



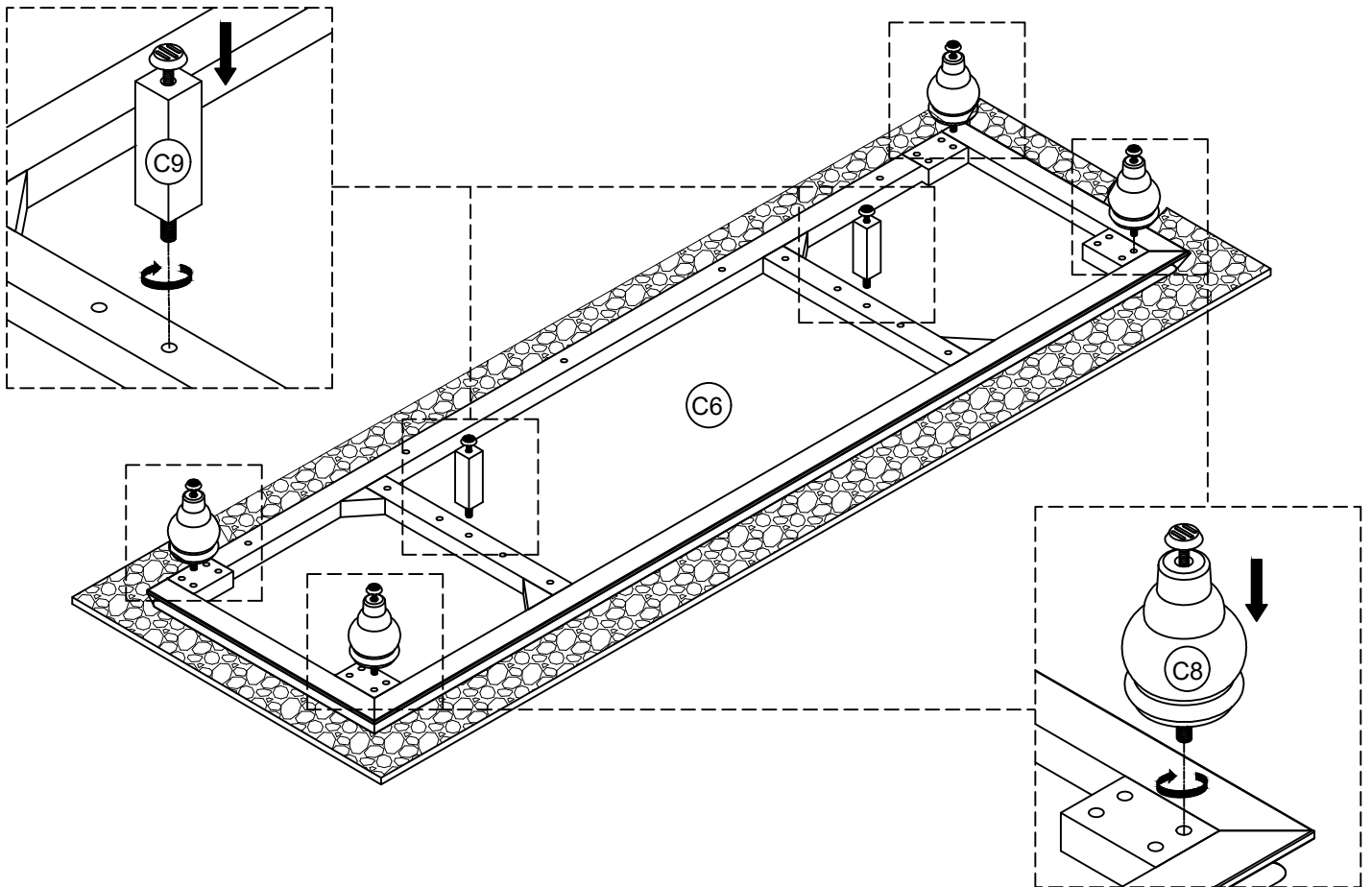
2



3

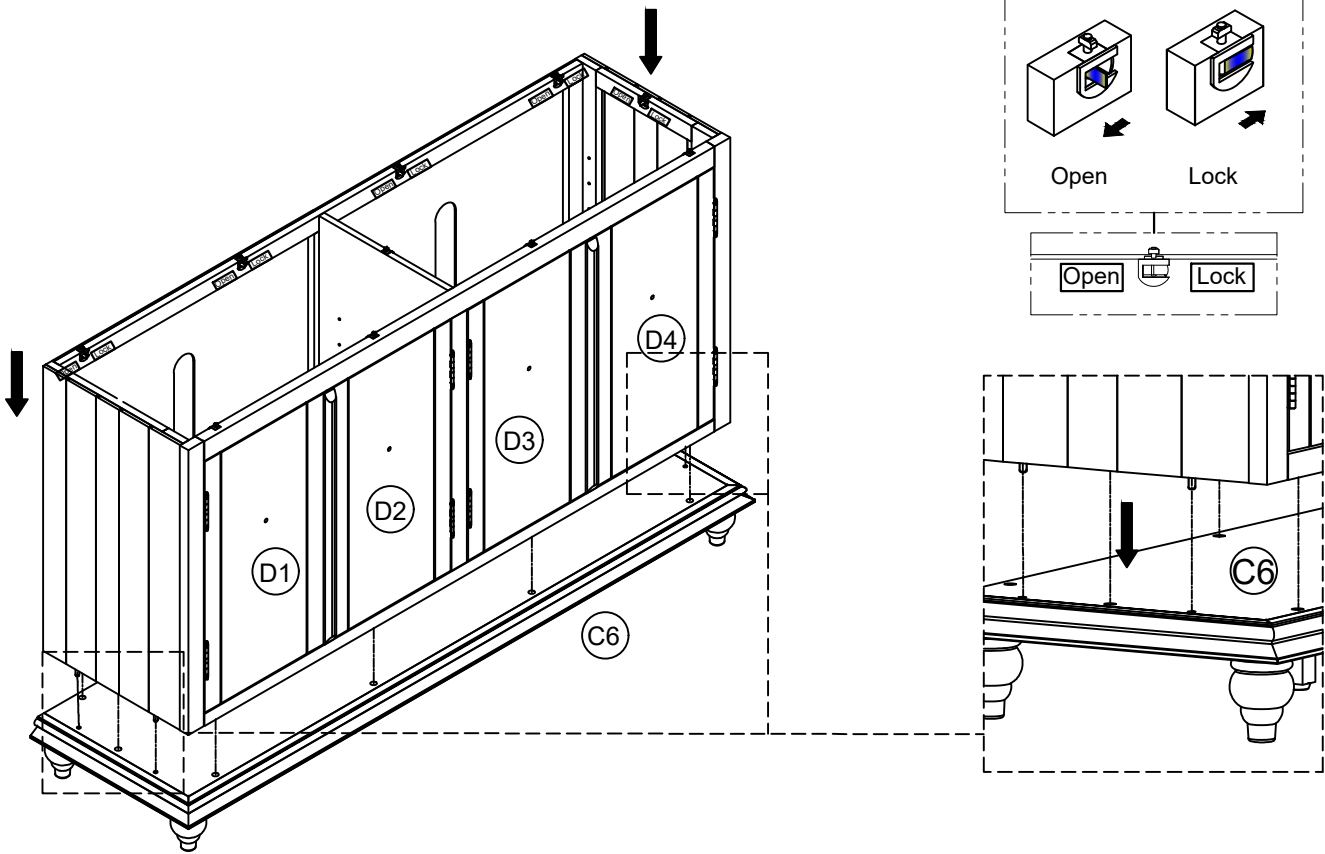


4



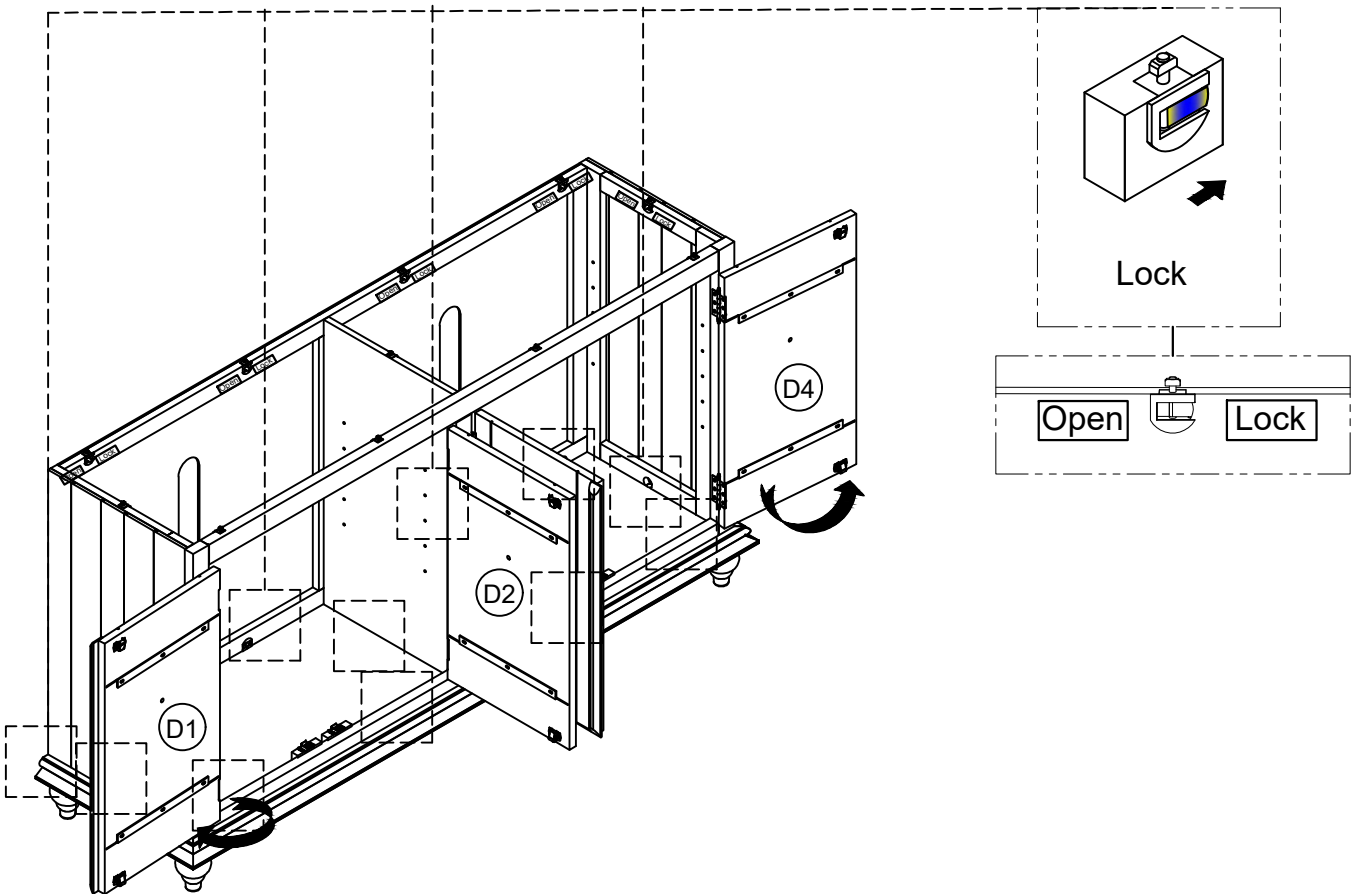
5

Make sure all latches are in the open position before installing Bottom Panel(C6)

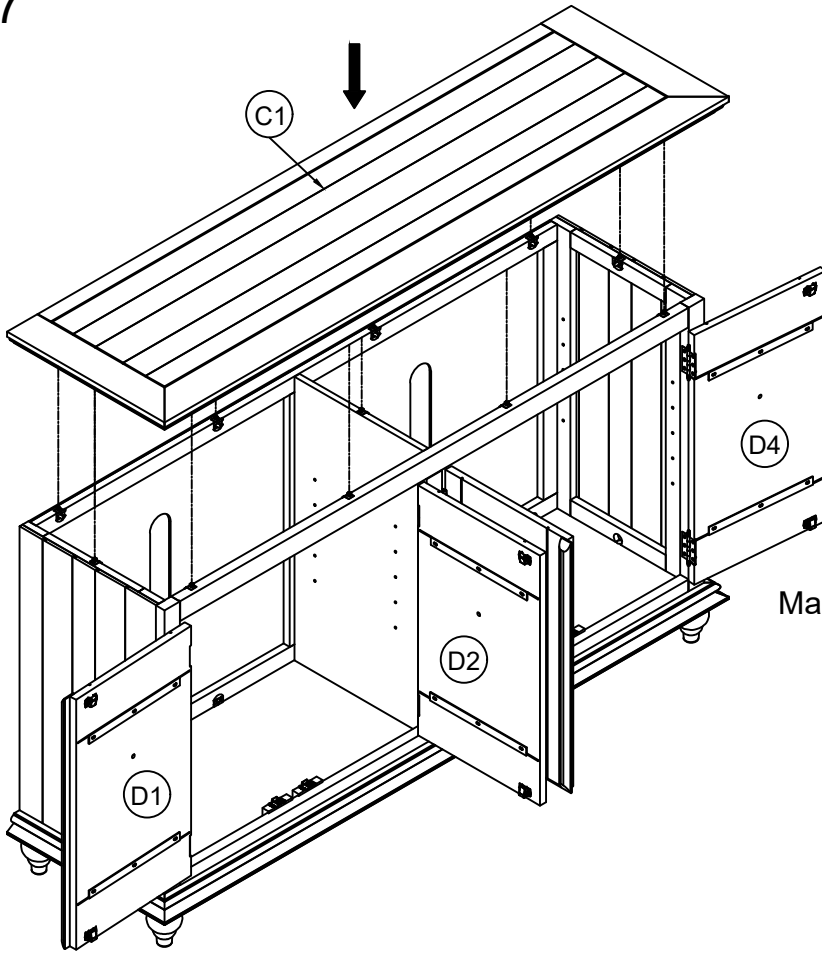


6

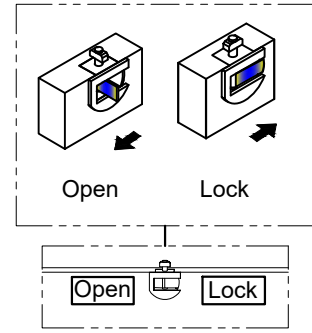
Make sure all 11 latches are in the locked position



7

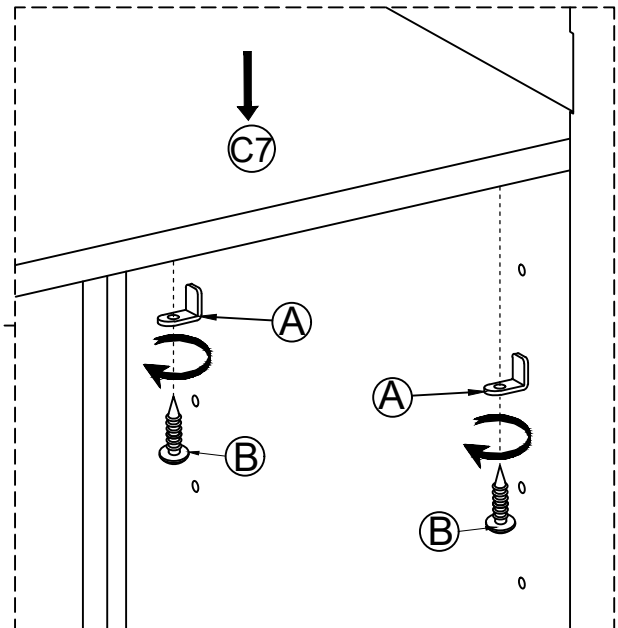
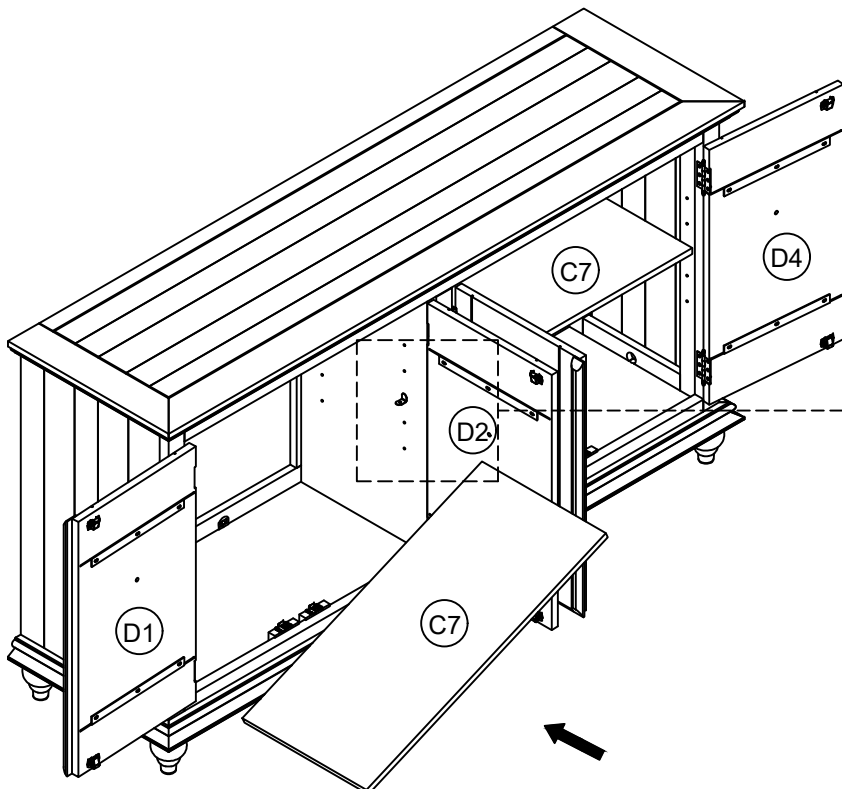


Make sure all latches are in the open position before installing Top Panel (C1)



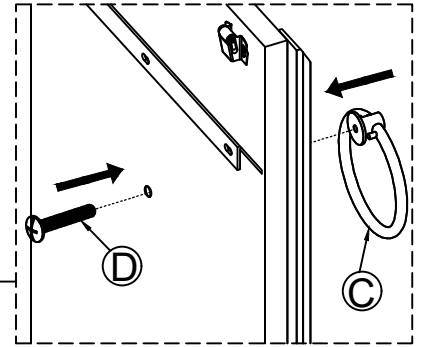
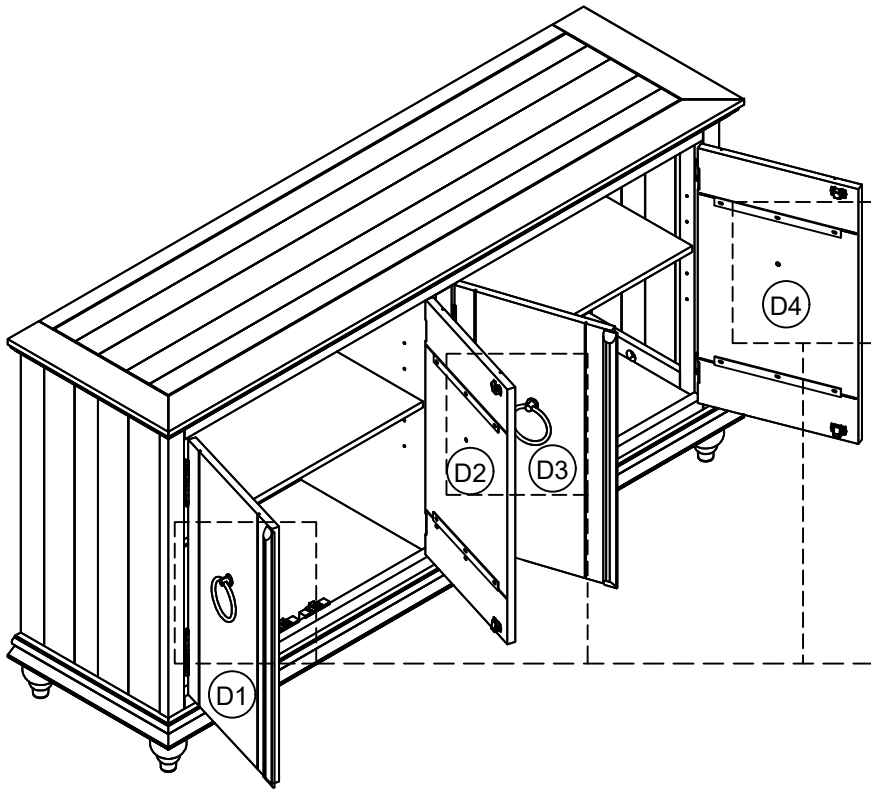
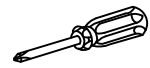
Make sure all 11 latches are in the locked position

8 Ax8 Bx8 Ø3.5x15 (mm)

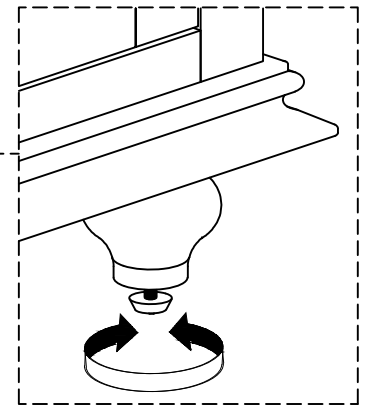
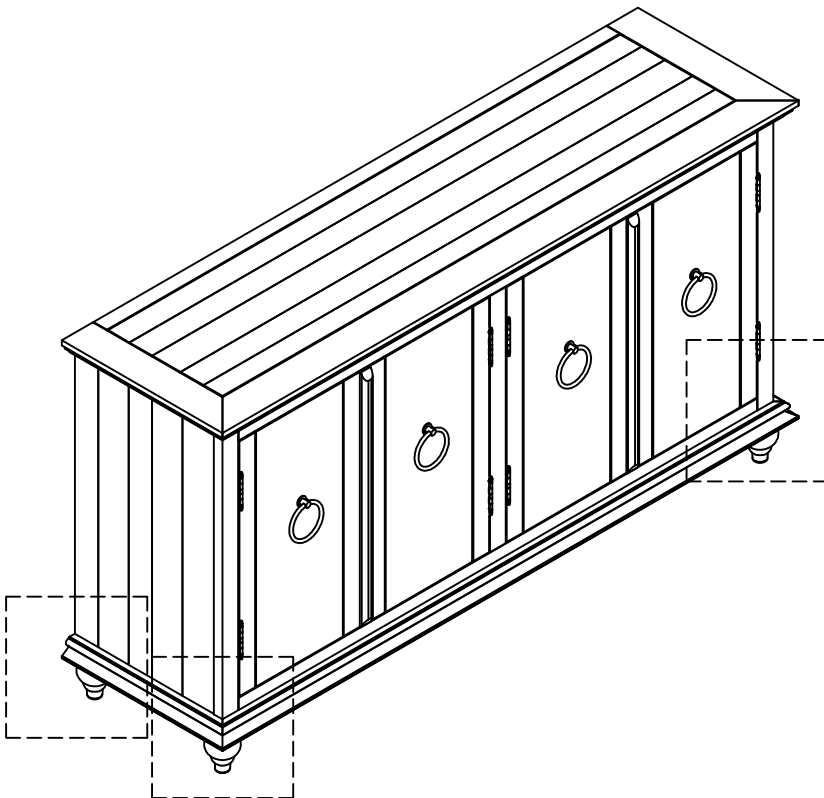


7-9

9 Cx8 Dx4 Ø4x15 (mm)



10



Adjustable floor leveler

